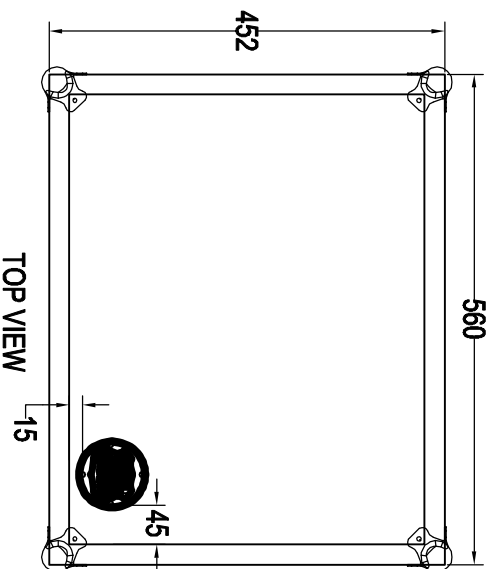
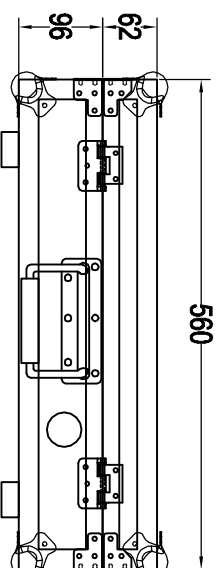
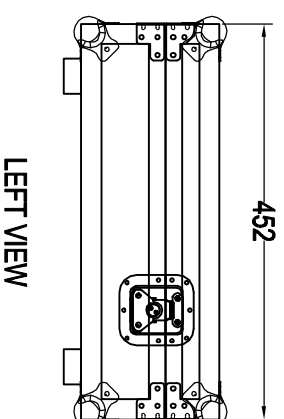
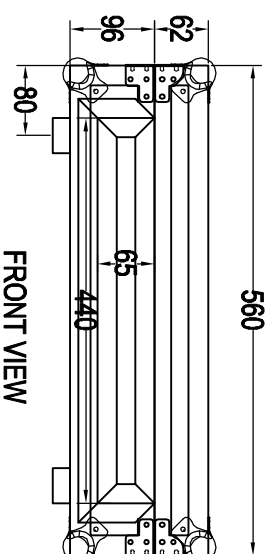
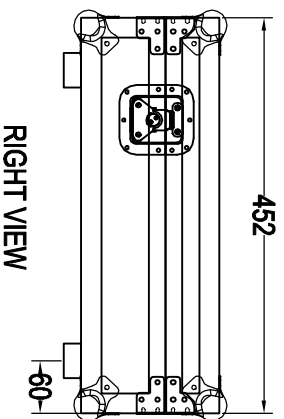


RRVNIWMS4

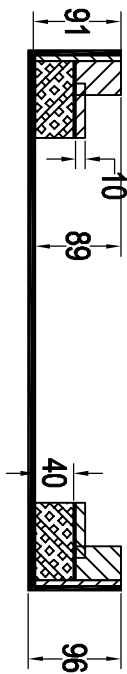


SKU: RRVNIWMS4	BY:	ROAD READY CASES	
UPC: NA			
PERSONAL SIGNATURES		DATE	
DRAWING DATE:	SCALE:	DRAWING NUMBER:	REVISION:
02 / 15 / 2012	1:7	112	NA

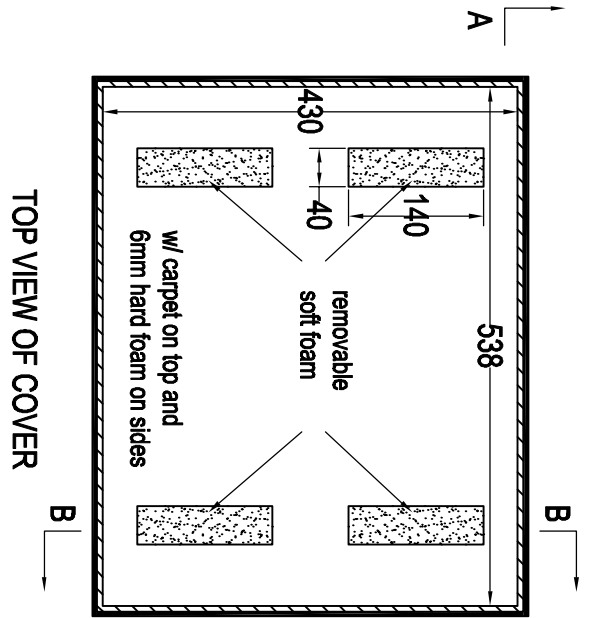
RRVNIWMS4



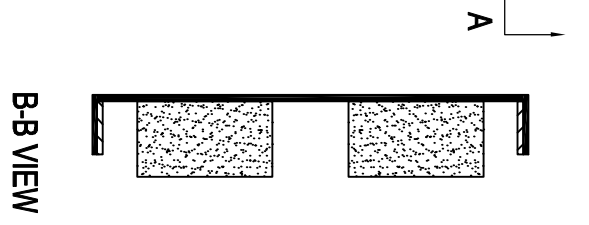
A-A VIEW



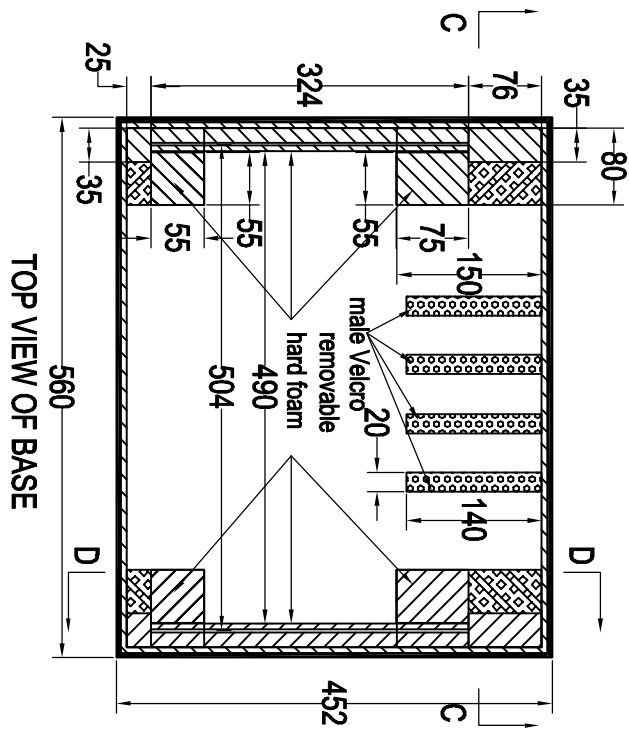
C-C VIEW



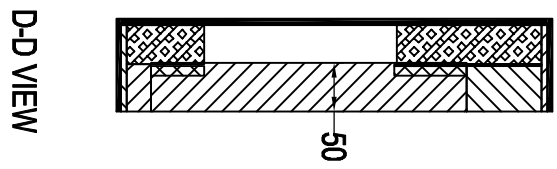
TOP VIEW OF COVER



B-B VIEW



TOP VIEW OF BASE



D-D VIEW



SKU: RRVNIWMS4	BY:	ROAD READY CASES
UPC: NA		
APPROVAL SIGNATURE:	DATE:	
DRAWING DATE: 02 / 15 / 2012	SCALE: 1:8	DRAWING NUMBER: 212
		REVISION: NA