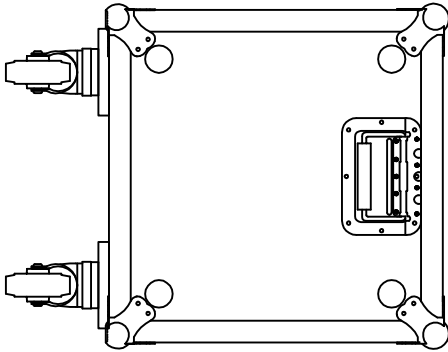
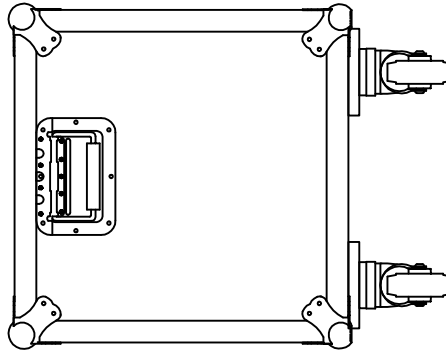


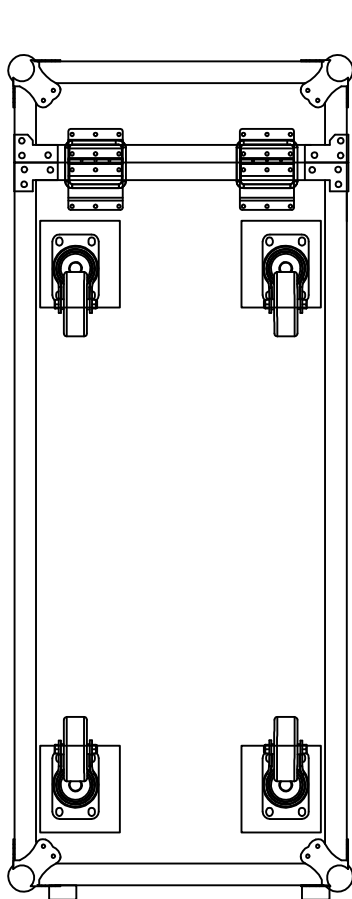
CCMICSTAND



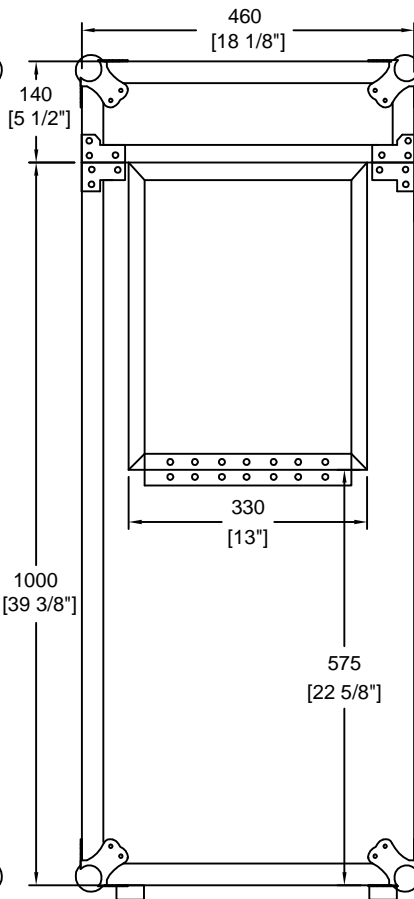
BOTTOM VIEW



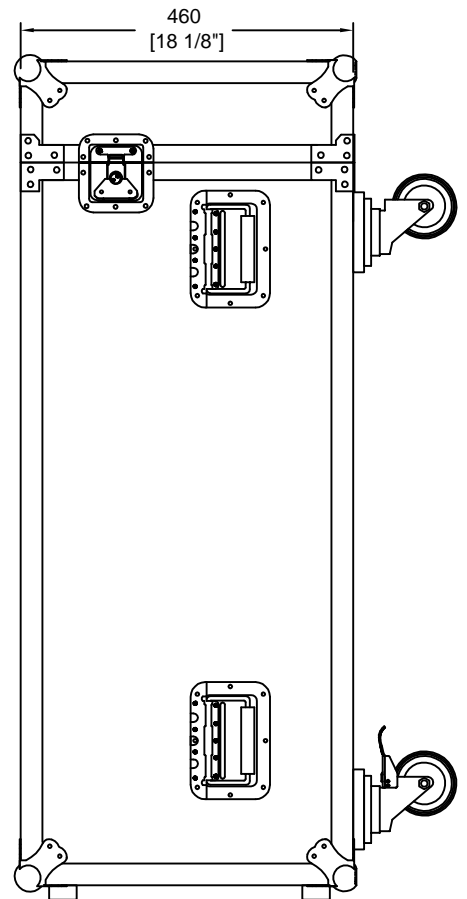
TOP VIEW




BACK VIEW



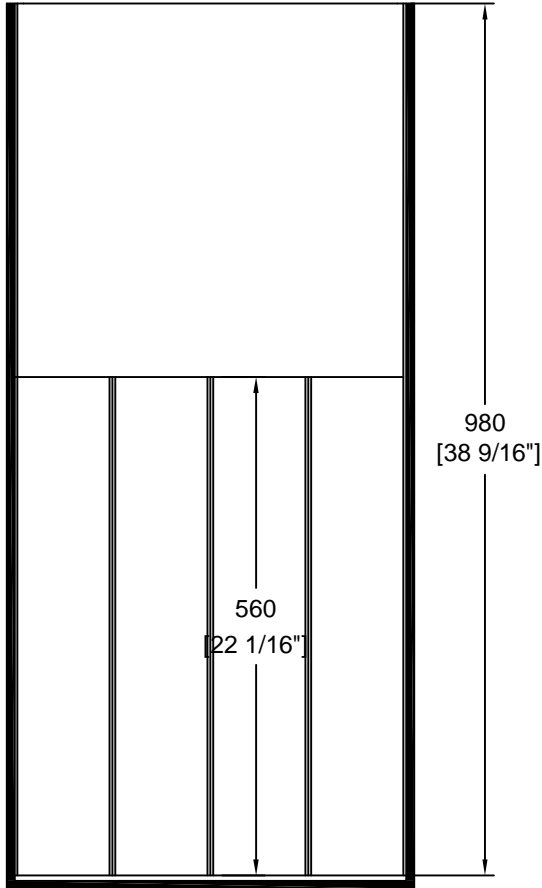
FRONT VIEW



LEFT VIEW
RIGHT VIEW

	SKU: CCMICSTAND	BY: ROAD READY CASES
	UPC: NA	DATE:
APPROVAL SIGNATURE:		DATE:
DRAWING DATE:	SCALE:	DRAWING NUMBER:
11 / 10 / 2017	1:10	1/2
REVISION:		NA

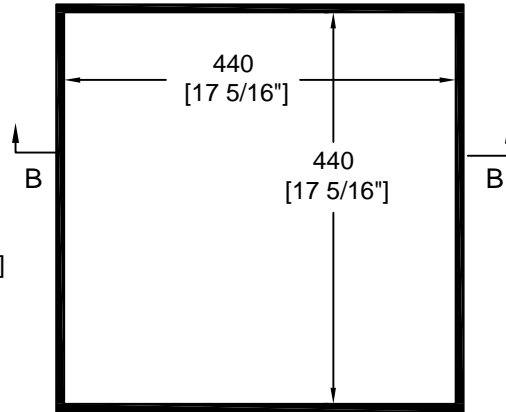
CCMICSTAND



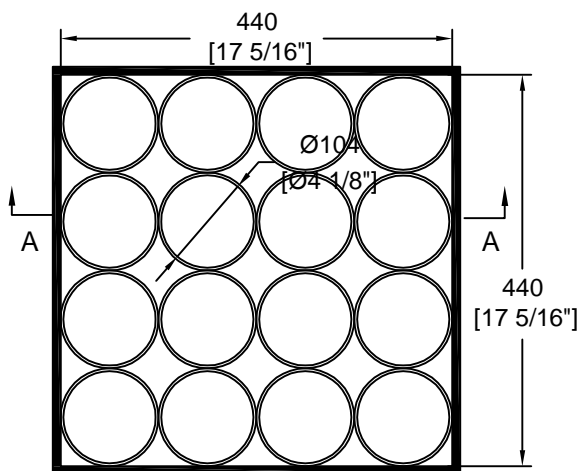
A-A VIEW



B-B VIEW



TOP VIEW OF COVER



TOP VIEW OF BASE

	SKU: CCMICSTAND	BY: ROAD READY CASES
	UPC: NA	
	APPROVAL SIGNATURE: _____	DATE: _____
DRAWING DATE: 11 / 10 / 2017	SCALE: 1:8	DRAWING NUMBER: 2/2
		REVISION: NA