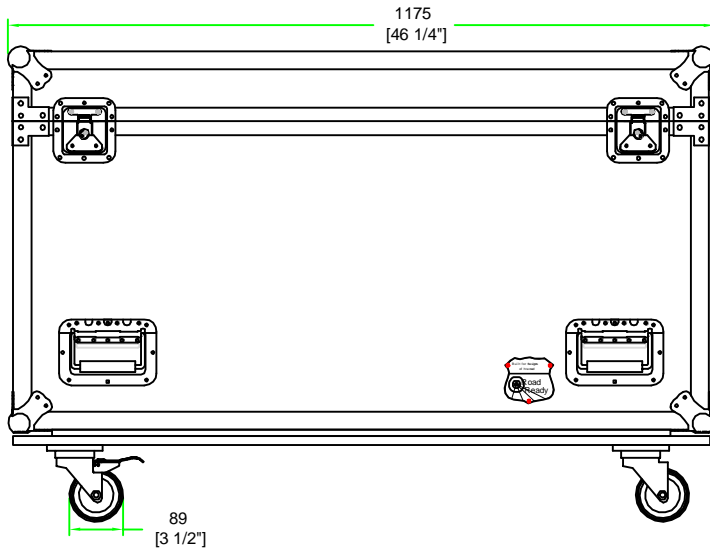
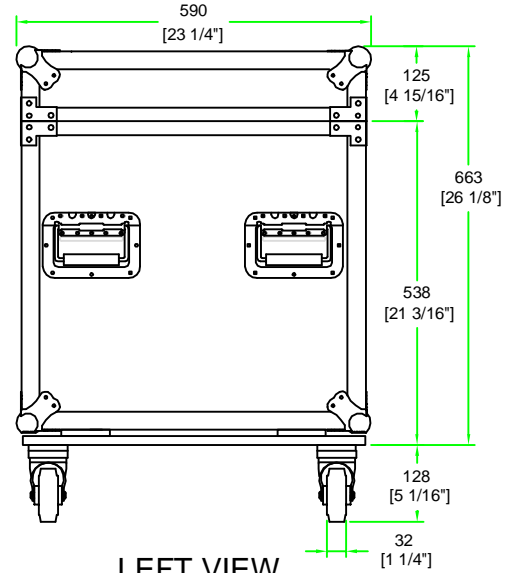


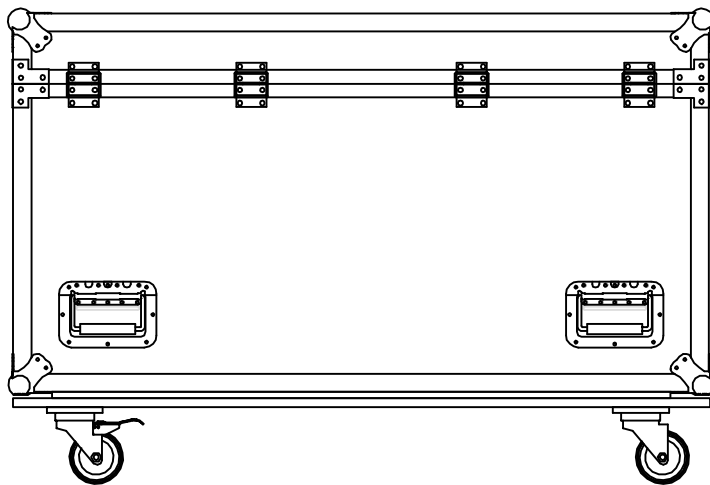
# RRCABLECASEMEDW



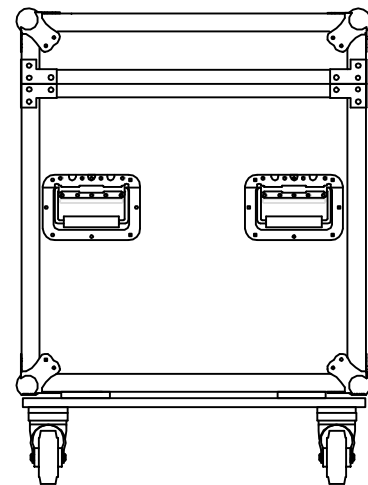
FRONT VIEW



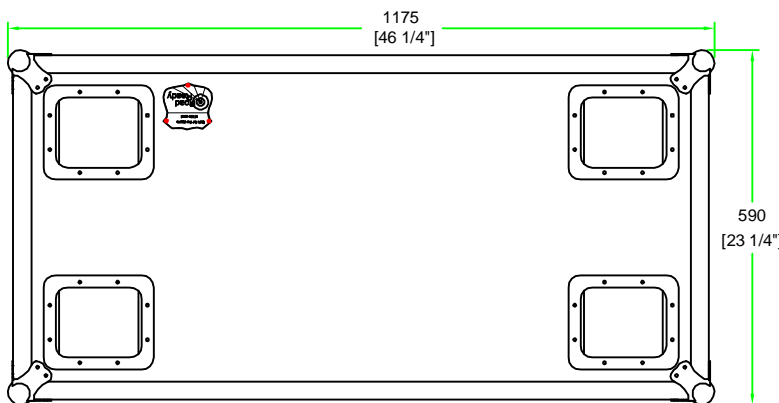
LEFT VIEW



BACK VIEW



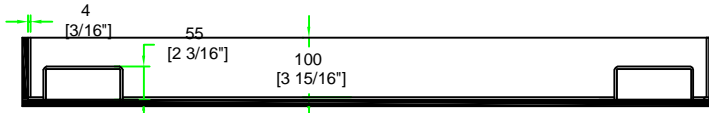
RIGHT VIEW



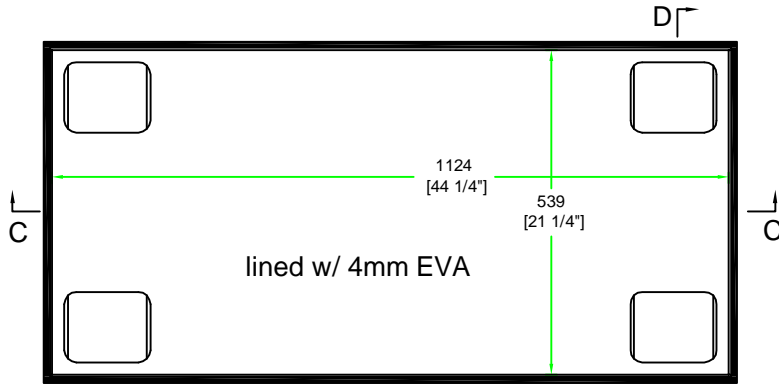
TOP VIEW

	SKU: RRCABLECASEMEDW	BY:	
	UPC: NA	<b>ROAD READY CASES</b>	
	APPROVAL SIGNATURE :	DATE :	
DRAWING DATE :	SCALE :	DRAWING NUMBER :	REVISION :
05 / 03 / 2017	1:12	1/2	NA

# RRCABLECASEMEDW



C-C VIEW

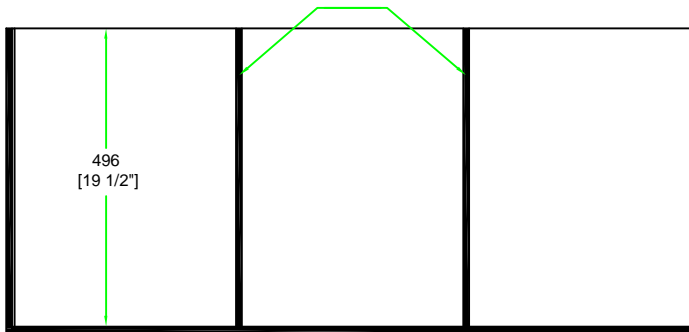


TOP VIEW OF COVER

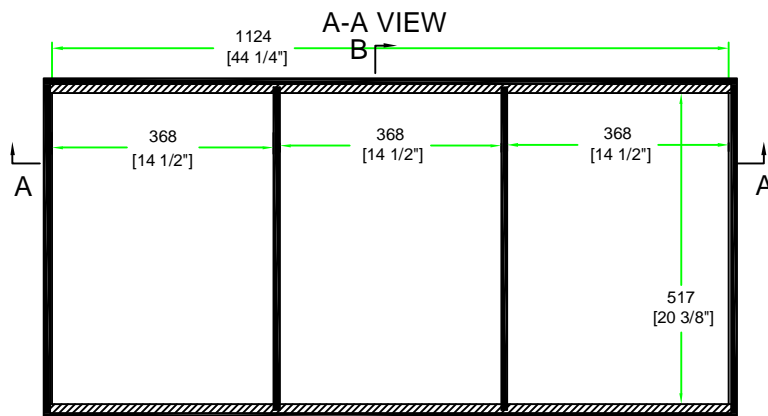


D-D VIEW

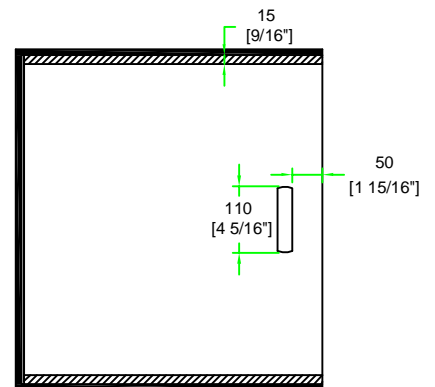
removable panels painted black




lined w/ 4mm EVA on bottom and ends  
w/ 15mm EVA on front and back



TOP VIEW OF BASE



B-B VIEW

	SKU: RRCABLECASEMEDW	BY: ROAD READY CASES
	UPC: NA	APPROVAL SIGNATURE : _____ DATE : _____
DRAWING DATE : 05 / 03 / 2017	SCALE : 1:12	DRAWING NUMBER : 2/2
		REVISION : NA