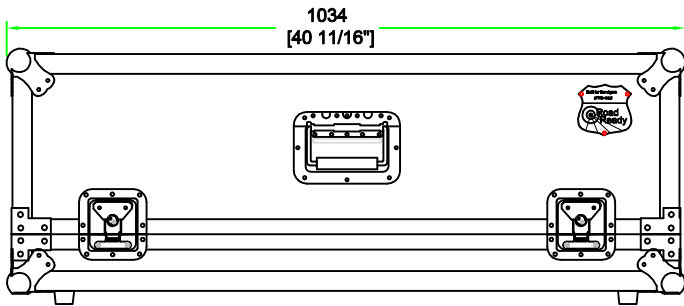
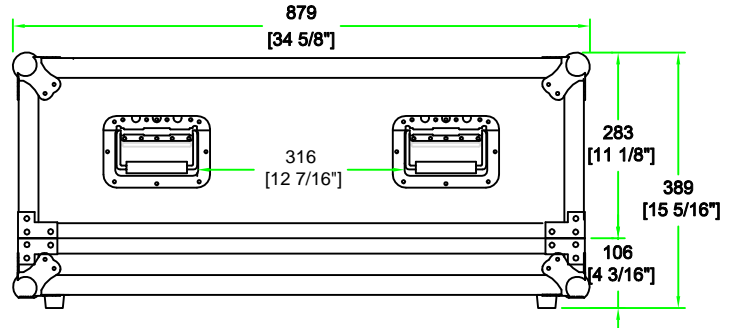


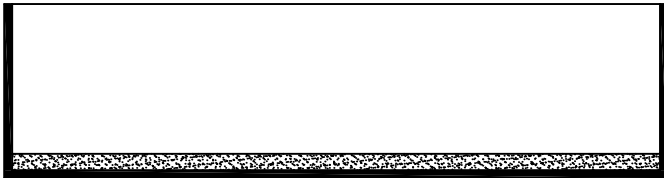
RRAVANTIS



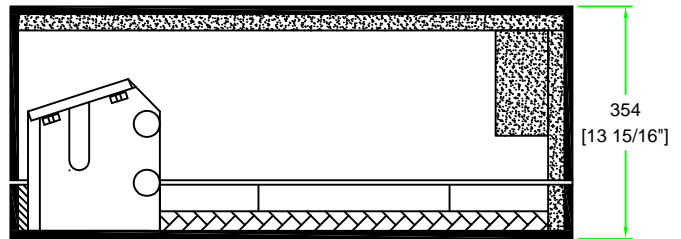
FRONT VIEW
BACK VIEW



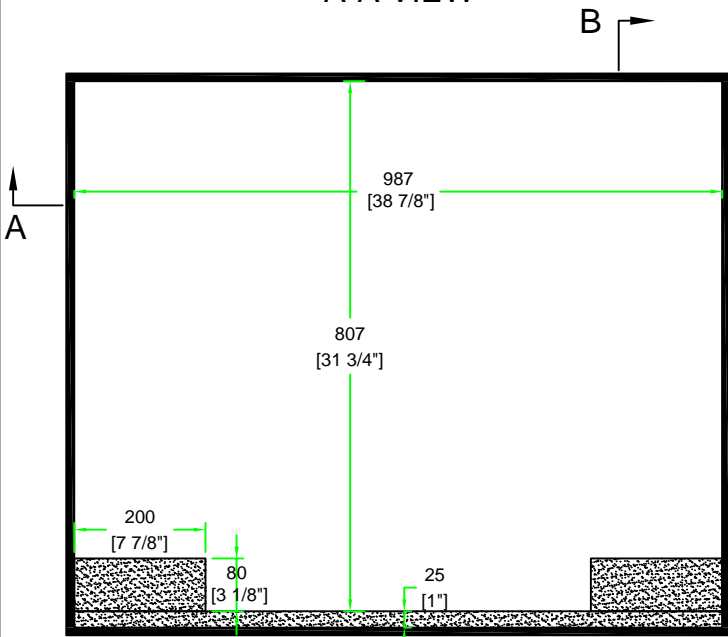
LEFT VIEW
RIGHT VIEW



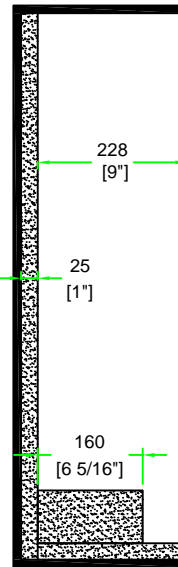
A-A VIEW




CROSS SECTION



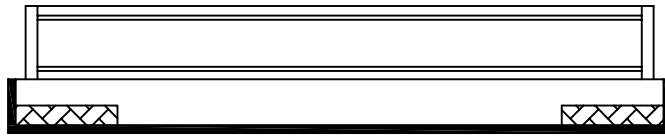
TOP VIEW OF COVER



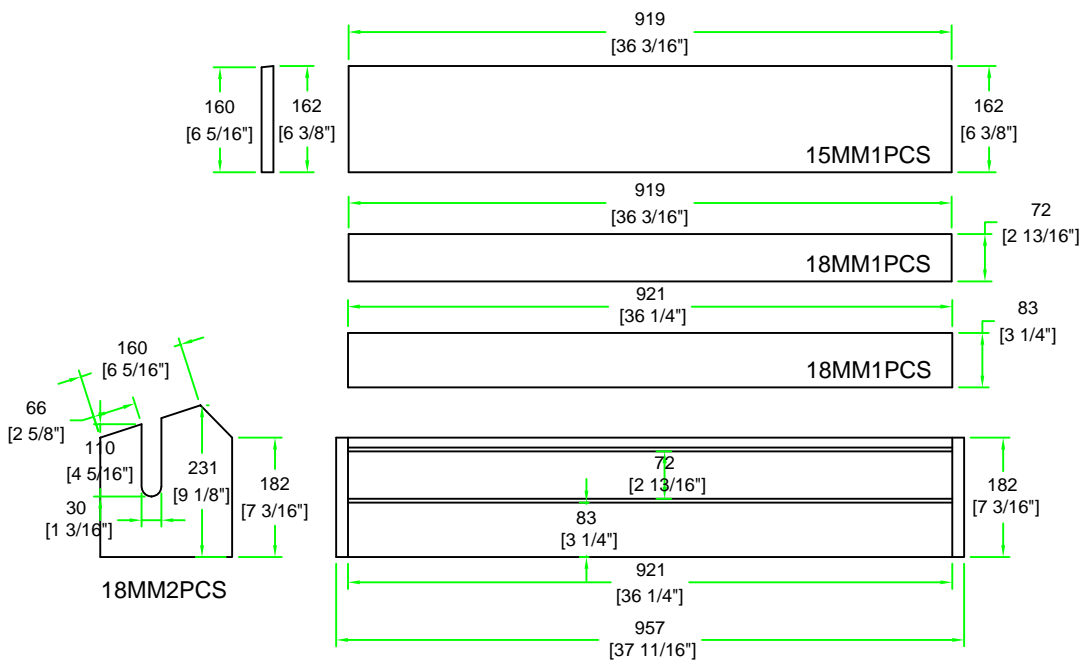
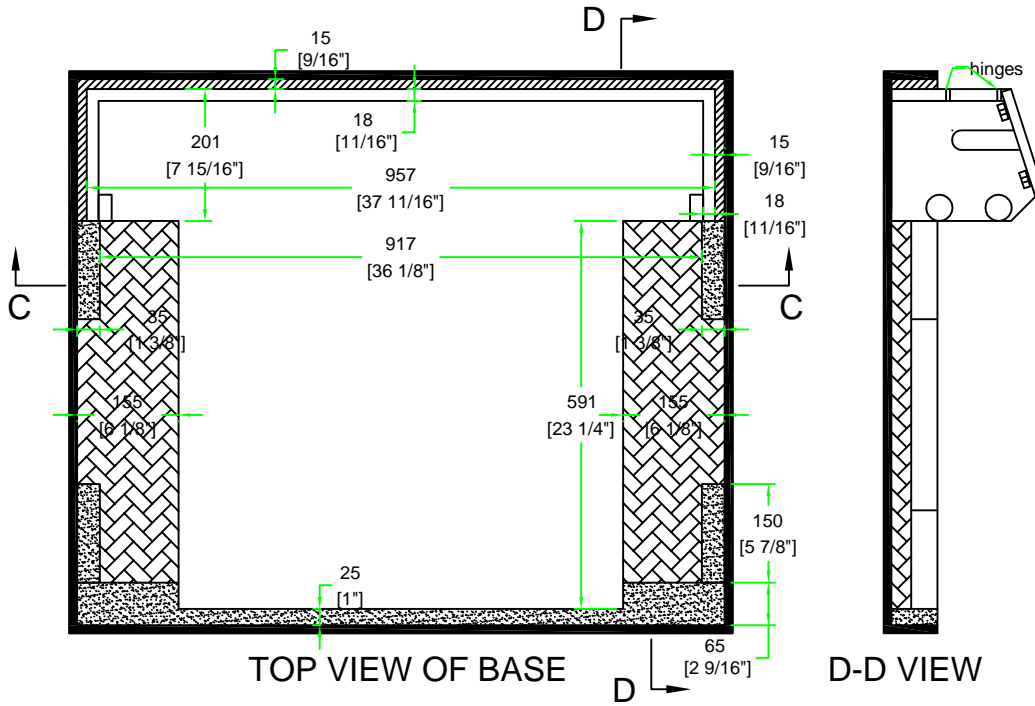
B-B VIEW

	SKU: RRAVANTIS	BY: ROAD READY CASES
	UPC: NA	APPROVAL SIGNATURE: _____
	APPROVAL SIGNATURE: _____	DATE: _____
DRAWING DATE: 12 / 04 / 2019	SCALE: 1:11	DRAWING NUMBER: 1/2
		REVISION: NA

RRAVANTIS



C-C VIEW



	SKU: RRAVANTIS ^{BY:}		ROAD READY CASES	
	UPC: NA		APPROVAL SIGNATURE: _____ DATE: _____	
	DRAWING DATE:	SCALE:	DRAWING NUMBER:	REVISION:
	12 / 04 / 2019	1:11	2/2	NA