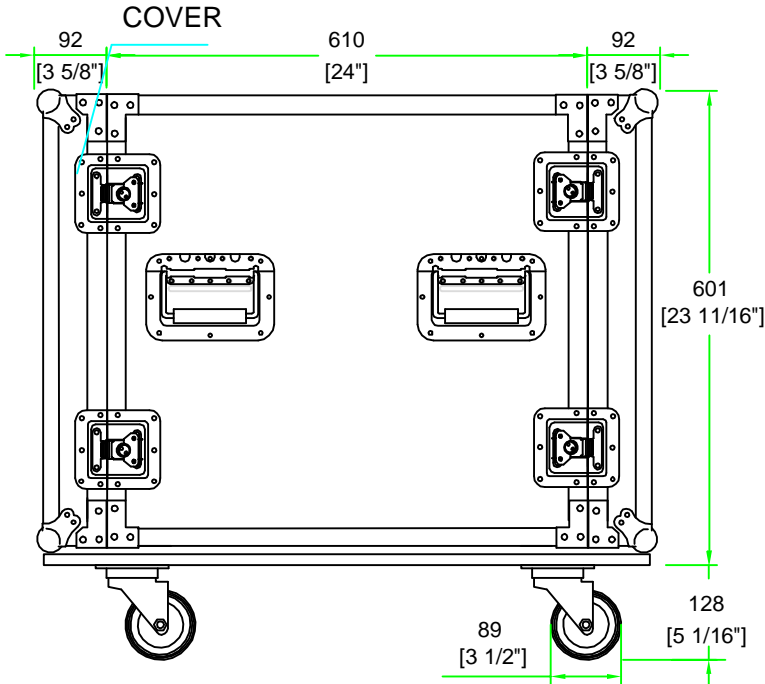
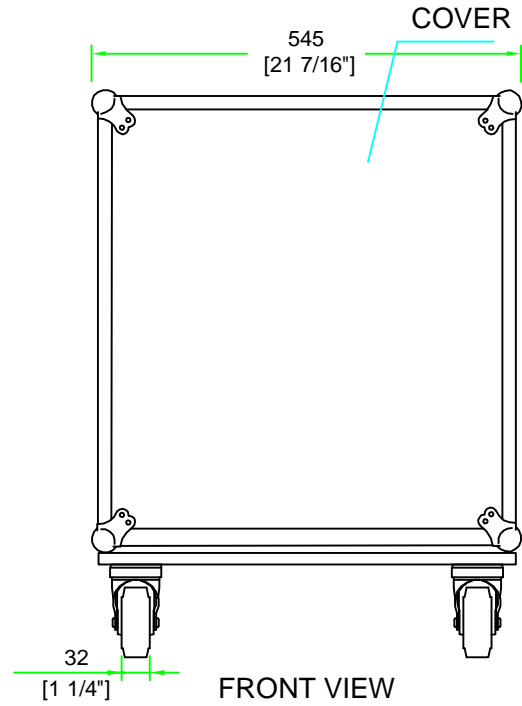


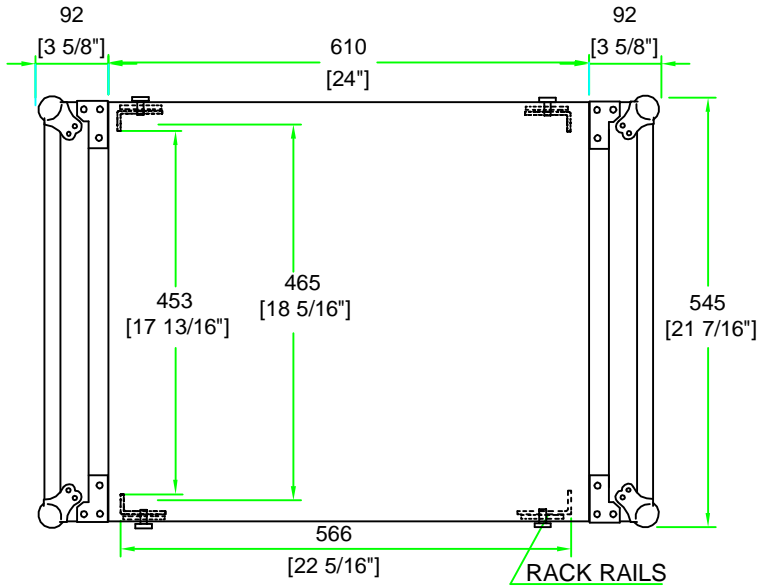
RR12UAD24C



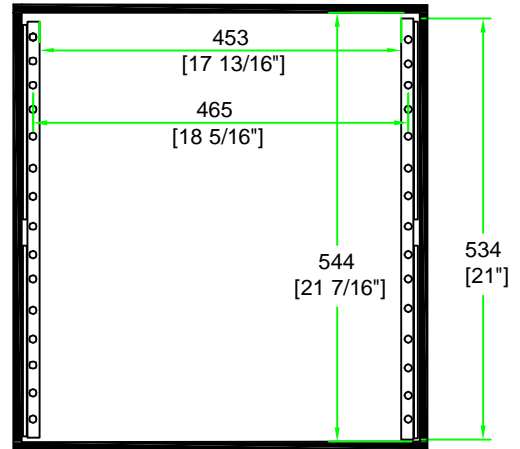
SIDE VIEW



FRONT VIEW
BACK VIEW



TOP VIEW



INSIDE VIEW

Signature of Approval

Printed Name

2008.09.05