

WE ARE HERE...



...TRUSST US.



BEKAFUN
SOUND + LIGHT

WWW.MULTITRUSS.COM
2011



Endless Possibilities

As one of the leading manufacturers of truss systems, MultiTruss gives you a world of possibilities. Our products are used all over the globe in theatres, at concerts, exhibitions and many other events. Our expertise and know-how is your guarantee for a perfect result and our high quality standards, combined with very competitive prices, are key factors in the best deal in the truss system market today.

15 Years and Stronger Than Ever

Our goal is to ensure our customers the best possible products at the best possible prices without compromising quality and safety. Extensive testing, development and research is a vital part of the MultiTruss identity, and striving to be the best and most innovative player on the market is our key to success, and judging by our rapidly growing share of the market, the formula works !

Effective Delivery

MultiTruss is well known and respected for both our expertise and high quality standards. Furthermore, our production plants have more than 50 welders and a highly qualified service staff working around the clock to ensure you the fastest delivery possible.

Individual Design

If you wish to customise or design your own product, MultiTruss can assist you in the process. Supply us with your designs and ideas and we'll take it from there. The possibilities are, as we say, endless.



TÜV Certified Products

MultiTruss products are TÜV certified. This, combined with our extensive quality control, gives you the certainty of reliable and safe-to-use products.



Find Your Product

The article code example and the product range references on the next page should make your selection easy. Use the article names and references to find the products of your choice.

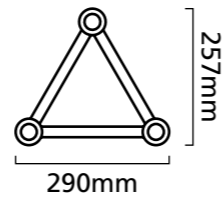
Product Info

In this catalogue you will find information about article numbers, available lengths, and data about weight, material thickness, dimensions etc. Please note that the specified measurements for the truss elements apply for all series unless else is specified.

Article name example

F33

System
Size
Shape

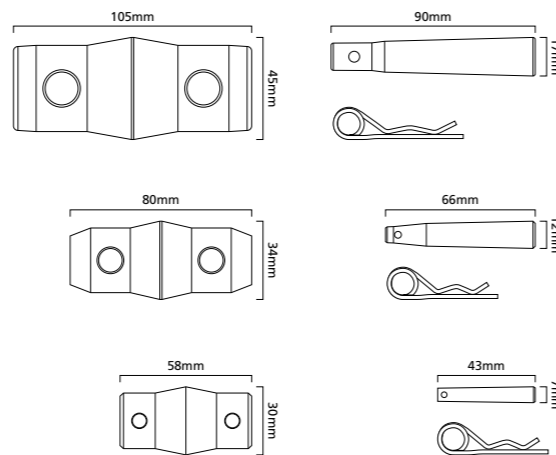


Measurements example



Conical Connectors

In this catalogue you will find three different conical connectors for the F-system – 30 mm, 34 mm, and 45 mm. All truss pieces from MultiTruss are supplied with matching connectors, pins, and r-clips. For example, a 3-way corner always includes two sets of connectors, pins, and r-clips. This leaves an open direction for inserting a 'male' truss element.



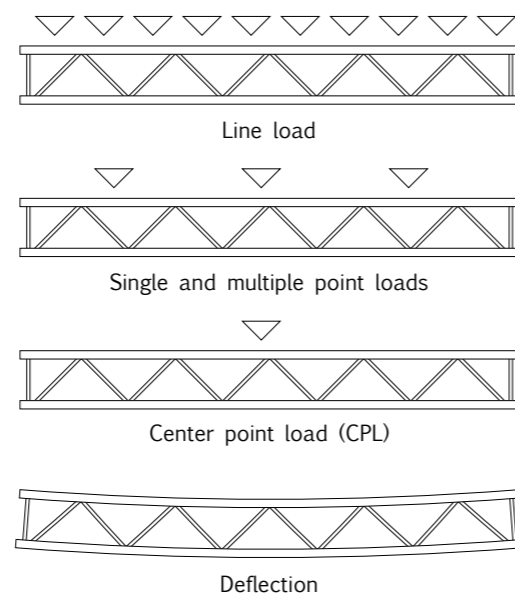
Loadcase Figures

The right load case is the key to a successful truss system. Load is defined as the force (mass, weight or strain) imposed on a truss when you include the weight of the truss itself.

Line load – When the amount of force is identical in weight along the whole length of the truss or evenly spread over the trusses' lower chords.

Point load – When loads are at single or multiple points. Applying a load in the middle of a span (CPL) will put maximum pressure on the truss. Please refer to the loadcase figures for maximum allowable loading.


Deflection – This indicates the flexing of the truss when loaded. Read the instruction carefully to secure the best result.



SINGLE	Main tube: Ø50mm x 2mm Alloy: EN AW-6082 T6 Braces: Ø20mm x 2mm Alloy: EN AW-6082 T6 Connector: 4510010 Steel pin: 4510012 F31		
	Main tube: Ø35mm x 1,5mm Alloy: EN AW-6060 T66 Braces: 8mm solid Alloy: EN AW-6060 T66 Connector: 4510002 Steel pin: 4510004 F22	Main tube: Ø50mm x 2mm Alloy: EN AW-6082 T6 Braces: Ø20mm x 2mm Alloy: EN AW-6082 T6 Connector: 4510010 Steel pin: 4510012 F32	
TRIANGULAR	Main tube: Ø35mm x 1,5mm Alloy: EN AW-6060 T66 Braces: 8mm solid Alloy: EN AW-6060 T66 Connector: 4510002 Steel pin: 4510004 F23	Main tube: Ø50mm x 2mm Alloy: EN AW-6082 T6 Braces: Ø20mm x 2mm Alloy: EN AW-6082 T6 Connector: 4510010 Steel pin: 4510012 F33	Main tube: Ø50mm x 2mm Alloy: EN AW-6082 T6 Braces: Ø25mm x 2,5mm Alloy: EN AW-6060 T66 Connector: 4510010 Steel pin: 4510012 F43
	Main tube: Ø35mm x 1,5mm Alloy: EN AW-6060 T66 Braces: 8mm solid Alloy: EN AW-6060 T66 Connector: 4510002 Steel pin: 4510004 F24	Main tube: Ø50mm x 2mm Alloy: EN AW-6082 T6 Braces: Ø20mm x 2mm Alloy: EN AW-6082 T6 Connector: 4510010 Steel pin: 4510012 F34	Main tube: Ø50mm x 2mm Alloy: EN AW-6082 T6 Braces: Ø25mm x 2,5mm Alloy: EN AW-6060 T66 Connector: 4510010 Steel pin: 4510012 F44
	Main tube: Ø50mm x 3mm Alloy: EN AW-6082 T6 Braces: Ø20mm x 2m Alloy: EN AW 6082 Connector: 4510010 Steel pin: 4510012 F34P	Main tube: Ø50mm x 3mm Alloy: EN AW-6082 T6 Braces: Ø25mm x 2,5mm Alloy: EN AW-6060 T66 Connector: 4510010 Steel pin: 4510012 F44P	
MHT	Main tube: Ø50mm x 4mm Alloy: EN AW-6082 T6 Braces: Ø25mm x 3mm Alloy: EN AW 6082 T6 Connector: 4510010 Steel pin: 4510012 F54R		




F31




Lenght	Weight	Art.Nr.
0,5 m	0,5 kg	4231050
1,0 m	1kg	4231100
1,5 m	1,5	4231150
2,0 m	2	4231200
2,5 m	2,5	4231250
3,0 m	3,0	4231300
3,5 m	3,5	4231350
4,0 m	4	4231400
4,5 m	4,5	4231450
5,0 m	5	4231500

F31 Circle



Diameter	Segments	Art.nr.
1,0 m	2	4331010-02
1,5 m	2	4331015-02
2,0 m	2	4331020-02
2,5 m	2	4331025-02
3,0 m	2	4331030-02
3,5 m	2	4331035-02
4,0 m	4	4331040-04


C21 2-way



Series	Weight	Art.Nr.
F31	1,1 kg	4231C21

500 500

C30 3-way corner 90°



Series	Weight	Art.Nr.
F31	1,6 kg	4231C30

500 500 500

C35 3-way T



Series	Weight	Art.Nr.
F31	1,1 kg	4231C35

500 500



F32 Circle horizontal

Diameter	Segments	Art.nr.
1,5 m	1	4332015-01V
2,0 m	2	4332020-2V
3,0 m	2	4332030-2V
4,0 m	4	4332040-4V
5,0 m	4	4332050-4V
6,0 m	6	4332060-6H
7,0 m	6	4332070-6V
8,0 m	8	4332080-8V
9,0 m	8	4332090-8V
10,0 m	10	4332100-10V
11,0 m	10	4332110-10V
12,0 m	12	4332120-12V
13,0 m	12	4332130-12V
14,0 m	12	4332140-12V
15,0 m	12	4332150-12V
16,0 m	14	4332160-14V

Also available in other sizes and segments

F32 Circle vertical

Diameter	Segments	Art.nr.
1,5 m	1	4332015-01V
2,0 m	2	4332020-2VV
3,0 m	2	4332030-2VV
4,0 m	4	4332040-4VV
5,0 m	4	4332050-4VV
6,0 m	6	4332060-6HV
7,0 m	6	4332070-6VV
8,0 m	8	4332080-8VV
9,0 m	8	4332090-8VV
10,0 m	10	4332100-10VV
11,0 m	10	4332110-10VV
12,0 m	12	4332120-12VV
13,0 m	12	4332130-12VV
14,0 m	12	4332140-12VV
15,0 m	12	4332150-12VV
16,0 m	14	4332160-14VV

Also available in other sizes and segments

C21 2-way horizontal corner

Series	Weight	Art.nr.
F22	2,2 kg	4222C21H
F32	2,8 kg	4232C21H

500 500 90°

C35 3-way horizontal T

Series	Weight	Art.nr.
F22	1,7 kg	4222C35H
F32	3,8 kg	4232C35H

500 500

F22 Straight

Length	Weight	Art.nr.
0,5 m	1,10 kg	4222050
1,0 m	1,86 kg	4222100
1,5 m	2,57 kg	4222150
2,0 m	3,30 kg	4222200
2,5 m	4,00 kg	4222250
3,0 m	4,70 kg	4222300
3,5 m	5,40 kg	4222350
4,0 m	6,11 kg	4222400
4,5 m	6,82 kg	4222450

Baseplate

Series	Art.nr.
F22	4222910
F32	4232910

C31 3-way horizontal corner

Series	Weight	Art.nr.
F22	3,4 kg	4222C31H
F32	4,7 kg	4232C31H

500 500 500

C41 4-way horizontal cross

Series	Weight	Art.nr.
F22	1,7 kg	4222C41H
F32	4,7 kg	4232C41H

500 500

F32 Straight

Length	Weight	Art.nr.	LINE LOAD		POINT LOADS	
			WEIGHT	DEFLECTION	WEIGHT	DEFLECTION
SPAN	m	kg/m	mm	kg	mm	
2,0	130	200				
3,0	96	184				
4,0	75	150				
5,0	47	135				
6,0	35	100				

Length	Weight	Art.nr.
0,5 m	2,11 kg	4232050
1,0 m	3,10 kg	4232100
1,5 m	4,11 kg	4232150
2,0 m	5,10 kg	4232200
2,5 m	6,10 kg	4232250
3,0 m	7,10 kg	4232300
3,5 m	8,09 kg	4232350
4,0 m	9,09 kg	4232400
4,5 m	10,03 kg	4232450
5,0 m	11,08 kg	4232500

C21 2-way vertical corner

Series	Weight	Art.nr.
F22	2,2 kg	4222C21V
F32	3,1 kg	4232C21V

500 500 90°

C36 3-way vertical T

Series	Weight	Art.nr.
F22	1,7 kg	4222C35V
F32	4,1 kg	4232C35V

500 500

C41 4-way vertical cross

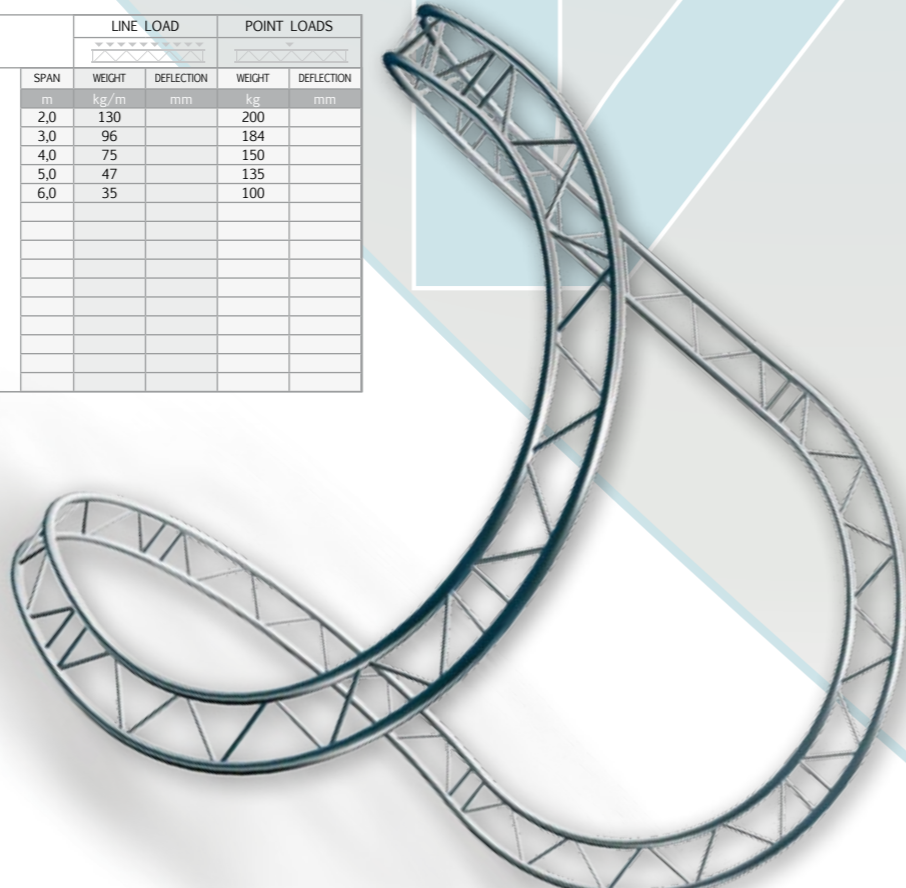
Series	Weight	Art.nr.
F22	2,5 kg	4222C41V
F32	4,2 kg	4232C41V

500 500

C31 3-way vertical corner

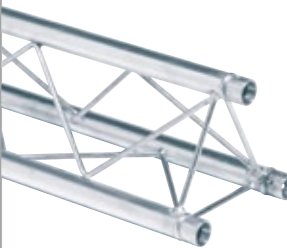
Series	Weight	Art.nr.
F22	3,4 kg	4222C31V
F32	4,5 kg	4232C31V

500 500 500



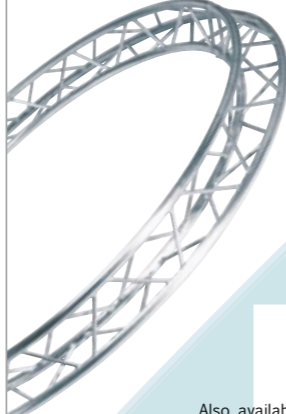


F23 Straight



Length	Weight	Art.Nr.
0,5 m	2,0 kg	4223050
1,0 m	3,3 kg	4223100
1,5 m	4,6 kg	4223150
2,0 m	5,9 kg	4223200
2,5 m	7,2 kg	4223250
3,0 m	8,5 kg	4223300
3,5 m	9,8 kg	4223350
4,0 m	11,1 kg	4223400
4,5 m	12,4 kg	4223450

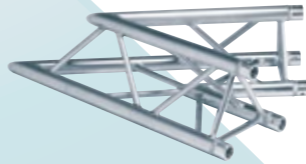
F33 Circle




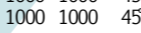
Diameter	Segments	Art.Nr.
1,5 m	1	4333015-01
2,0 m	2	4333020-02
3,0 m	2	4333030-04
4,0 m	4	4333040-04
5,0 m	4	4333050-04
6,0 m	6	4333060-06
7,0 m	6	4333070-06
8,0 m	8	4333080-08
9,0 m	8	4333090-08
10,0 m	10	4333100-10
11,0 m	10	4333110-10
12,0 m	12	4333120-12
13,0 m	12	4333130-12
14,0 m	12	4333140-12
15,0 m	12	4333150-12
16,0 m	14	4333160-14

Also available in other sizes and segments

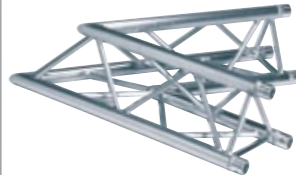
C19 2-way corner 45°




Series	Weight	Art.Nr.
F23	3,0 kg	4223C19
F33	7,0 kg	4233C19
F43	8,3 kg	4243C19

 1000 1000 45°
 1000 1000 45°


C20 2-way corner 60°



Series	Weight	Art.Nr.
F23	3,5 kg	4223C20
F33	7,3 kg	4233C20
F43	7,8 kg	4243C20


 1000 1000 60°

F33 Straight

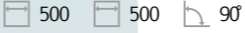


Length	Weight	Art.Nr.	LINE LOAD						POINT LOADS						
			SPAN	WEIGHT		DEFLECTION		WEIGHT		DEFLECTION		WEIGHT		DEFLECTION	
				m	kg/m	mm	mm	kg	mm	kg	mm	kg	mm	kg	mm
0,5 m	3,47 kg	4233050	1,0	1904	0	780	0	710	0	600	0	476	0		
1,0 m	5,22 kg	4233100	2,0	870	3	600	4	520	5	411	3	361	3		
1,5 m	6,99 kg	4233150	3,0	384	7	488	7	411	7	288	6	239	7		
2,0 m	8,70 kg	4233200	4,0	215	13	411	9	321	12	214	11	178	12		
2,5 m	10,45 kg	4233250	5,0	135	18	340	15	254	19	169	17	140	19		
3,0 m	12,20 kg	4233300	6,0	93	26	279	21	209	27	139	25	115	27		
3,5 m	13,94 kg	4233350	7,0	67	36	235	29	176	37	117	34	97	37		
4,0 m	15,69 kg	4233400	8,0	50	47	202	37	151	48	101	44	84	48		
4,5 m	17,43 kg	4233450	9,0	39	59	176	47	132	60	88	56	77	60		
5,0 m	19,17 kg	4233500	10,0	31	73	154	58	116	75	77	69	64	75		
			11,0	24	88	136	71	102	90	68	84	56	90		
			12,0	20	105	121	84	91	107	60	100	50	107		

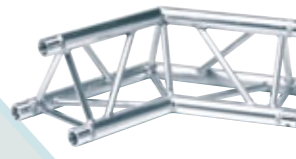
C21 2-way corner 90°




Series	Weight	Art.Nr.
F23	1,8 kg	4223C21
F33	4,3 kg	4233C21
F43	4,6 kg	4243C21

 500 500 90°


C22 2-way corner 120°



Series	Weight	Art.Nr.
F23	2,0 kg	4223C22
F33	4,3 kg	4233C22
F43	7,9 kg	4243C22

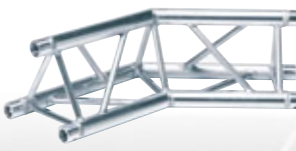
 500 500 120°

F43 Straight

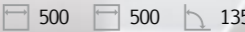


Length	Weight	Art.Nr.	LINE LOAD						POINT LOADS						
			SPAN	WEIGHT		DEFLECTION		WEIGHT		DEFLECTION		WEIGHT		DEFLECTION	
				m	kg/m	mm	mm	kg	mm	kg	mm	kg	mm	kg	mm
0,5 m	4,9 kg	4243050	2,0	689	1	487	1	449	1	389	1	359	1		
1,0 m	7,5 kg	4243100	3,0	476	4	432	1	389	3	323	3	293	3		
1,5 m	9,7 kg	4243150	4,0	316	10	389	4	343	6	277	6	247	6		
2,0 m	12,0 kg	4243200	5,0	200	12	353	10	306	10	242	10	208	10		
2,5 m	14,0 kg	4243250	6,0	138	18	323	12	277	16	207	14	172	15		
3,0 m	16,0 kg	4243300	7,0	100	24	298	16	253	22	176	20	146	19		
3,5 m	19,0 kg	4243350	8,0	76	31	277	23	228	32	152	24	126	25		
4,0 m	21,0 kg	4243400	9,0	72	47	258	30	200	39	133	30	111	31		
4,5 m	23,6 kg	4243450	10,0	47	50	236	38	177	48	118	36	98	37		
5,0 m	25,9 kg	4243500	11,0	38	55	211	45	158	57	105	43	87	44		
			12,0	32	66	189	52	142	66	95	50	79	52		
			13,0	26	74	171	60	128	76	85	57	71	59		
			14,0	22	84	155	68	116	86	77	65	64	67		
			15,0	19	95	141	76	106	97	70	72	58	75		

C23 2-way corner 135°




Series	Weight	Art.Nr.
F23	2,3 kg	4223C23
F33	5,3 kg	4233C23
F43	6,0 kg	4243C23

 500 500 135°




C24 2-way corner 90° apex up



Series	Weight	Art.nr.
F23	1,7 kg	4223C24
F33	4,2 kg	4233C24
F43	4,1 kg	4243C24

500 500 90°


C25 2-way corner 90° apex down



Series	Weight	Art.nr.
F23	1,8 kg	4223C25
F33	4,6 kg	4233C25
F43	4,9 kg	4243C25

500 500 90°


C33 3-way corner apex down right



Series	Weight	Art.nr.
F23	2,7 kg	4223C33
F33	6,5 kg	4233C33
F43	6,8 kg	4243C33

500 500 500 90°

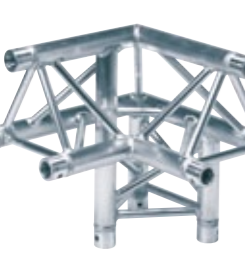
C34 3-way corner apex down left



Series	Weight	Art.nr.
F23	2,7 kg	4223C34
F33	6,5 kg	4233C34
F43	6,8 kg	4243C34

500 500 500 90°


C31 3-way corner 90° apex up right



Series	Weight	Art.nr.
F23	2,6 kg	4223C31
F33	6,4 kg	4233C31
F43	6,3 kg	4243C31

500 500 500 90°


C32 3-way corner 90° apex up left



Series	Weight	Art.nr.
F23	2,6 kg	4223C32
F33	6,4 kg	4233C32
F43	6,3 kg	4243C32

500 500 500 90°

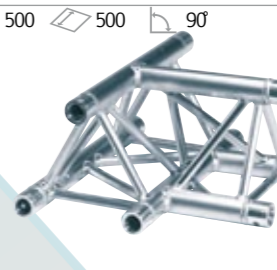
C35 3-way vertical T apex down



Series	Weight	Art.nr.
F23	2,3 kg	4223C35
F33	6,3 kg	4233C35
F43	6,6 kg	4243C35

500 500 500 90°


C36 3-way horizontal T



Series	Weight	Art.nr.
F23	2,0 kg	4223C36
F33	6,3 kg	4233C36
F43	5,6 kg	4243C36

500 500 500 90°


C37 3-way vertical T apex up



Series	Weight	Art.nr.
F23	2,0 kg	4223C37
F33	6,9 kg	4233C37
F43	5,6 kg	4152-37

500 500 500 90°

C38 3-way vertical T apex down




Series	Weight	Art.nr.
F23	2,1 kg	4223C38
F33	7,0 kg	4233C38
F43	6,1 kg	4152-38

500 500 500 90°






C39 3-way vertical T apex up



Series	Weight	Art.nr.
F23	2,1 kg	4223C39
F33	6,85kg	4233C39
F43	5,9 kg	4152-39

F23/F33
F43 500 500 500 90°


C41 4-way cross



Series	Weight	Art.nr.
F23	2,3 kg	4223C41
F33	7,35kg	4233C41
F43	6,2 kg	4243C41

F23/F33
F43 500 500 500 90°


C47 4-way cross



Series	Weight	Art.nr.
F23	2,4 kg	96123-47
F33	7,1 kg	4233C47
F43	7,4 kg	4154-47

F23/F33
F43 500 500 500 90°


C51 5-way T



Series	Weight	Art.nr.
F23	2,4 kg	4223C51
F33	9,9 kg	4233C51
F43	8,7 kg	4243C51

F23/F33
F43 500 500 500 90°


C42 4-way T apex down



Series	Weight	Art.nr.
F23	2,1 kg	4223C42
F33	8,7 kg	4233C42
F43	7,8 kg	4243C42

F23/F33
F43 500 500 500 90°


C43 4-way T apex up



Series	Weight	Art.nr.
F23	2,7 kg	4223C43
F33	8,5 kg	4233C43
F43	7,1 kg	4243C43

F23/F33
F43 500 500 500 90°


C52 5-way cross down apex up



Series	Weight	Art.nr.
F23	3,0 kg	4223C52
F33	10,3kg	4233C52
F43	7,7 kg	4243C52

F23/F33
F43 500 500 500 90°


C53 5-way cross down apex up



Series	Weight	Art.nr.
F23	3,0 kg	4223C53
F33	10,4kg	4233C53
F43	8,2 kg	4243C53

F23/F33
F43 500 500 500 90°


C44 4-way corner 90° right



Series	Weight	Art.nr.
F23	2,8 kg	4223C44
F33	8,6 kg	4098-44
F43	8,1 kg	4243C44

F23/F33
F43 500 500 500 90°


C45 4-way corner 90° left



Series	Weight	Art.nr.
F23	2,8 kg	4223C45
F33	8,6 kg	4233C45
F43	8,1 kg	4243C45

F23/F33
F43 500 500 500 90°

C61 6-way T



Series	Weight	Art.nr.
F23	3,3 kg	96127-61
F33	11,0kg	4233C61
F43	9,3 kg	4243C61


F23/F33
F43 500 500 500 90°

Baseplate



Series	Art.nr.
F23	4223910
F33	4233910
F43	4243910

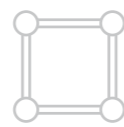
Baseplate steel (5mm)



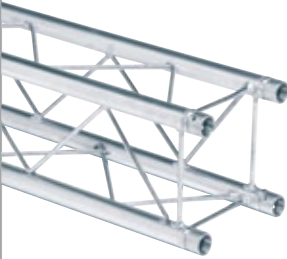
Series	Weight	Art.nr.
F33	10kg	4234916
F34	20kg	4234926

F33 500
F34 1000

Baseplate is delivered with 4 conical connectors

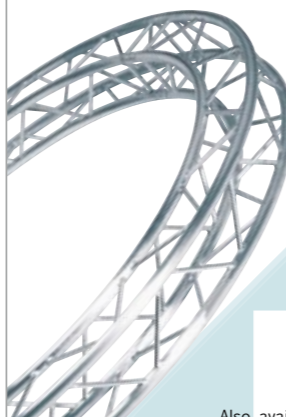


F24 Straight



Length	Weight	Art.Nr.
0,5 m	2,6 kg	4224050
1,0 m	4,4 kg	4224100
1,5 m	6,13 kg	4224150
2,0 m	7,86 kg	4224200
2,5 m	9,6 kg	4224250
3,0 m	11,33 kg	4224300
3,5 m	13,07 kg	4224350
4,0 m	14,8 kg	4223400

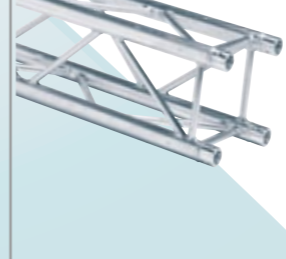
F34 Circle



Diameter	Segments	Art.Nr.
1,5 m	1	4334015-01
2,0 m	2	4334020-02
3,0 m	2	4334030-04
4,0 m	4	4334040-04
5,0 m	4	4334050-04
6,0 m	6	4334060-06
7,0 m	6	4334070-06
8,0 m	8	4334080-08
9,0 m	8	4334090-08
10,0 m	10	4334100-10
11,0 m	10	4334134100-10
12,0 m	12	4334120-12
13,0 m	12	4334130-12
14,0 m	12	4334140-12
15,0 m	12	4334150-12
16,0 m	14	4334160-14

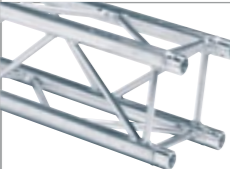
Also available in other sizes and segments

F34P Straight




Length	Weight	Art.Nr.	LINE LOAD			POINT LOADS									
			SPAN	WEIGHT	DEFLECTION	WEIGHT	DEFLECTION	WEIGHT	DEFLECTION	WEIGHT	DEFLECTION	WEIGHT	DEFLECTION		
m	kg/m		m	kg	mm	kg	mm	kg	mm	kg	mm	kg	mm	kg	mm
0,5 m	4,85 kg	4234P050	2,0	1136	1	2022	2	1136	2	757	1,5	568	1		
1,0 m	7,88 kg	4234P100	3,0	756	1	1344	4	1009	5	672	4	558	4		
1,5 m	11,01 kg	4234P150	4,0	502	10	993	7,3	752	9,4	502	7,1	417	7,3		
2,0 m	14,14 kg	4234P200	5,0	319	14,3	785	11,2	598	14,6	399	11	331	11,4		
2,5 m	17,28 kg	4234P250	6,0	220	20	645	15,9	495	20,8	330	15,7	274	16,3		
3,0 m	20,43 kg	4234P300	7,0	160	27,4	561	22	421	28,2	281	21,2	233	21,9		
3,5 m	23,56 kg	4234P350	8,0	122	35,4	487	28,5	364	42,5	243	27,3	202	28,4		
4,0 m	26,70 kg	4234P400	9,0	95	44,6	427	35,6	321	45,6	214	34,3	178	35,6		
4,5 m	29,85 kg	4234P450	10,0	76	54,4	380	43,5	285	55,6	190	41,7	158	43,3		
5,0 m	32,98 kg	4234P500	11,0	62	65	340	51,8	256	66,4	170	49,7	142	51,9		
			12,0	51	75,6	308	61	231	76,8	154	58,5	128	60,7		
			13,0	43	87,8	279	70,1	209	89,5	140	67,6	116	70		
			14,0	36	98,9	254	79,8	191	102,2	127	76,6	106	79,9		
			15,0	31	112,2	233	90	174	114,5	116	86	97	89,9		

F34 Straight




Length	Weight	Art.Nr.	LINE LOAD			POINT LOADS									
			SPAN	WEIGHT	DEFLECTION	WEIGHT	DEFLECTION	WEIGHT	DEFLECTION	WEIGHT	DEFLECTION	WEIGHT	DEFLECTION		
m	kg/m		m	kg	mm	kg	mm	kg	mm	kg	mm	kg	mm	kg	mm
0,5 m	5,0 kg	4234050	2,0	1136	0,1	2000	2	1136	2	757	1,5	568	1		
1,0 m	7,3 kg	4234100	3,0	756	1	1344	4	1009	5,3	672	4	558	4		
1,5 m	9,6 kg	4234150	4,0	502	10	1005	7,5	753	10	502	7	417	7,3		
2,0 m	12,0 kg	4234200	5,0	320	14	800	11,5	600	15	400	11	333	11,5		
2,5 m	14,0 kg	4234250	6,0	221	20	663	16	497	21	331	15,7	275	16,3		
3,0 m	16,4 kg	4234300	7,0	160	27	564	22	423	28	282	21,5	234	23,3		
3,5 m	18,7 kg	4234350	8,0	122	35	490	28,5	367	43	245	27,3	203	28,5		
4,0 m	21,0 kg	4234400	9,0	95	44	432	36	324	46	216	34,5	179	36		
4,5 m	23,3 kg	4234450	10,0	76	54	385	44	288	56	192	42	159	43,5		
5,0 m	25,5 kg	4234500	11,0	62	65	346	52	259	66	173	50	143	52		
			12,0	51	75	313	61	235	77	156	59	130	61		

F44P Straight

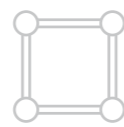


Length	Weight	Art.Nr.	LINE LOAD			POINT LOADS									
			SPAN	WEIGHT	DEFLECTION	WEIGHT	DEFLECTION	WEIGHT	DEFLECTION	WEIGHT	DEFLECTION	WEIGHT	DEFLECTION		
m	kg/m		m	kg	mm	kg	mm	kg	mm	kg	mm	kg	mm	kg	mm
0,5 m	6,5 kg	4244P050	4,0	735	9,4	1470	7,5	1102	9,6	735	8,9	609	9,6		
1,0 m	9,5 kg	4244P100	5,0	468	14,7	1172	11,8	879	15	586	14	486	15		
1,5 m	12,4 kg	4244P150	6,0	324	21,2	973	17	730	21,7	486	20,1	403	21,7		
2,0 m	15,8 kg	4244P200	7,0	237	28,9	830	23,1	622	29,5	415	27,4	344	29,5		
2,5 m	18,6 kg	4244P250	8,0	180	37,7	723	30,2	542	38,5	361	35,8	306	38,5		
3,0 m	21,7 kg	4244P300	9,0	141	47,7	656	38,2	479	48,8	319	45,3	265	48,8		
3,5 m	24,6 kg	4244P350	10,0	114	58,9	571	47,1	428	60,2	285	55,9	237	60,2		
4,0 m	27,6 kg	4244P400	11,0	93	71,3	515	57	386	72,8	257	67,7	213	72,8		
4,5 m	30,5 kg	4244P450	12,0	78	84,8	468	67,9	351	86,7	234	80,5	194	86,7		
5,0 m	33,9 kg	4244P500	13,0	65	99,5	428	79,7	321	101,7	214	94,5	177	101,7		
			14,0	58	115,4	394	92,4	295	118	197	109,6	163	118		
			15,0	48	132,5	364	106,1	273	135,4	182	125,8	151	135,4		


F44 Straight



Length	Weight	Art.Nr.	LINE LOAD			POINT LOADS									
			SPAN	WEIGHT	DEFLECTION	WEIGHT	DEFLECTION	WEIGHT	DEFLECTION	WEIGHT	DEFLECTION	WEIGHT	DEFLECTION		
m	kg/m		m	kg	mm	kg	mm	kg	mm	kg	mm	kg	mm	kg	mm
0,5 m	5,60 kg	4244050	4,0	457	5,8	411	2,1	381	3,3	332	3,3	307	3,8		
1,0 m	8,56 kg	4244100	5,0	351	11	388	3,9	355	6	302	5,8	277	6,6		
1,5 m	11,52 kg	4244150	6,0	274	17,7	367	6,3	332	9,7	278	9,2	252	10,4		
2,0 m	14,92 kg	4244200	7,0	217	26	348	9,5	311	14,5	257	13,5	232	15,2		
2,5 m	17,63 kg	4244250	8,0	176	36	332	13,5	294	20,4	239	18,7	214	21,1		
3,0 m	20,78 kg	4244300	9,0	142	46,4	316	18,3	278	28,4	223	24,9	199	27,9		
3,5 m	23,71 kg	4244350	10,0	114	56,7	302	24,1	263	35,8	209	32,1	186	35,6		
4,0 m	22,66 kg	4244400	11,0	94	68,6	289	30,7	250	45,4	197	40,3	175	44,6		
4,5 m	29,61 kg	4244450	12,0	78	80,6	278	38,3	239	56,1	186	79,4	164	54,5		
5,0 m	32,99 kg	4244500	13,0	66	93,9	267	46,8	228	68	177	59,5	155	65,1		
			14,0	56	107	257	56,2	218	81,2	168	70,5	147	77,2		
			15,0	49	123	247	66,4	209	96,2	160	82,6	140	90,4		




C21 2-way corner 90°



Series	Weight	Art.nr.
F24	6,5 kg	4224C21
F34	5,6 kg	4234C21
F44	6,0 kg	4244C21

500 500 90°


C30 3-way corner 90°



Series	Weight	Art.nr.
F24	3,3 kg	4224C30
F34	7,6 kg	4234C30
F44	8,2 kg	4244C30

500 500 500 90°


C41 4-way cross



Series	Weight	Art.nr.
F24	2,7 kg	4224C41
F34	8,2 kg	4234C41
F44	9,1 kg	4244C41

F24/F34/F44 500 500 60°


C55 5-way cross down



Series	Weight	Art.nr.
F24	3,6 kg	4224C55
F34	9,1kg	4234C55
F44	10,4kg	4244C55

F24/F34/F44 500 500 60°


C35 3-way T



Series	Weight	Art.nr.
F24	2,5 kg	4224C35
F34	6,8 kg	4234C35
F44	7,0 kg	4244C35

F24/F34/F44 500 500 60°


C40 4-way corner 90°



Series	Weight	Art.nr.
F24	3,4 kg	4224C40
F34	8,5 kg	4234C40
F44	9,9 kg	4244C40

F24/F34/F44 500 500 60°


C61 6-way cross



Series	Weight	Art.nr.
F24	4,4kg	4224C61
F34	11,3kg	4234C61
F44	12,5kg	4244C61

F24/F34/F44 500 500 60°

Box corner



Series	Weight	Art.nr.
F24	1,9 kg	4224C12
F34	5,8 kg	4234C12
F44	7,0 kg	4244C12


F24/F34/F44 500 500 60°

F34 various corner (steel) 0-180°




System F34 (F33 optional) Art.nr. black 4136

Baseplate



Series	Art.nr.
F24	4224910
F34	4234910
F44	4244910

Baseplate steel (5mm)



Series	Weight	Art.nr.
F34	20kg	4234926
F33	10kg	4234923

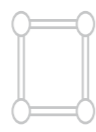
F34 1000 1000
F33 500 500

Baseplate is delivered with 4 conical connectors

Base Cross foot male



System F32-44 Art.nr. 4234930



MultiTruss offers new and innovative solutions.
We engineer and produce custom made constructions.
With aluminium or a combination of materials, the possibilities are endless.

F54R Straight

Length	Weight	Art.nr.	LINE LOAD			CENTRE POINT LOAD	
			SPAN	WEIGHT	DEFLECTION	WEIGHT	DEFLECTION
m	kg		m	kg/m	cm	kg/m	cm
1,0	12	4254R100	2	1760	0,04	3930	0,07
1,5	18	4254R150	4	1220	0,46	2360	0,35
2,0	24	4254R200	6	720	1,38	2220	1,13
3,0	36	4254R300	8	420	2,57	1660	2,04
3,5	42	4254R350	9	320	3,16	1476	2,61
4,0	48	4254R400	10	259	3,93	1326	3,25
4,5	54	4254R450	11	214	4,8	1207	3,98
5,0	60	4254R500	12	180	5,77	1107	4,8
			13	153	6,83	1022	5,71
			14	132	8,02	949	6,71
			15	115	9,32	865	7,65
			16	101	10,74	805	8,79

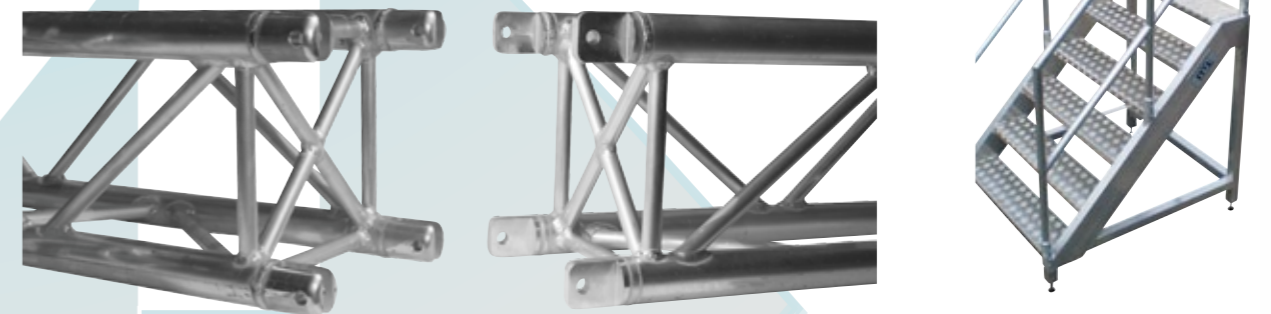
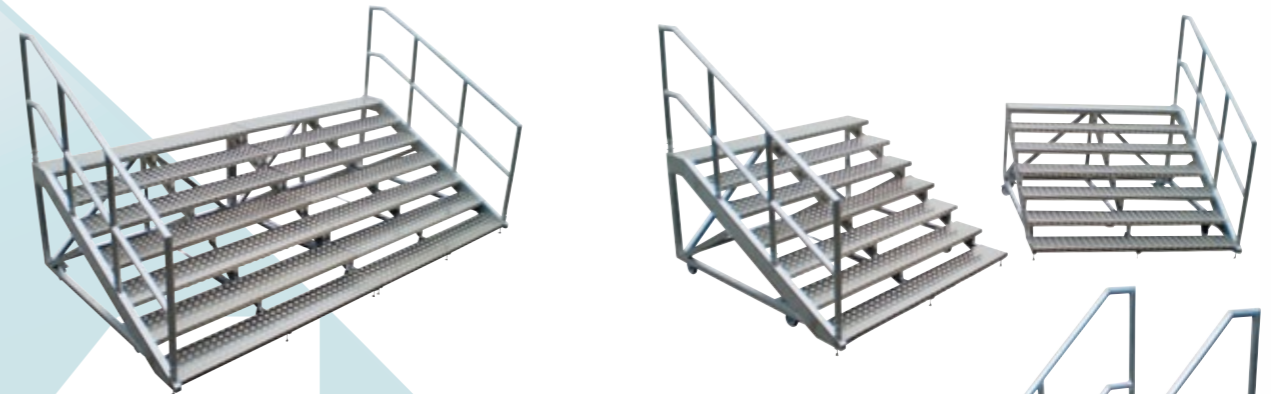
F54R boxcorner

Series	Weight	Art.nr.
F54R	11 kg	4254RC10

F54R C21 2-way corner 90°

Series	Weight	Art.nr.
F54R	12,5kg	4254RC21

660 630 90°





ACCESSORIES




ACCESSORIES

Multi G clamp



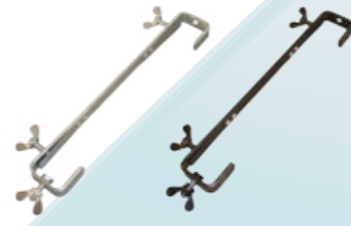
with spring, bolts, nut	Art.nr.
with bolts and nut	4550310 4550310-1

Multi-C clamp 23 cm.




Tube	Load	Art.nr.	Art.nr. black
50mm	500 kg	4550020	4550021

Multi-C clamp 40 cm.



Tube	Load	Art.nr.	Art.nr. black
50mm	500 kg	4550024	4550025

Halfcoupler small M10




Tube	Load	Art.nr. alu	Art.nr. black
48-51mm	250 kg	4550120	4550121

Halfcoupler M10




Tube	Load	Art.nr. alu	Art.nr. black
48-51mm	500 kg	4550130	4550131

Halfcoupler with lifting eye



Tube	Load	Art.nr. alu
32-35mm	35 kg	4550134
48-51mm	250 kg	4550134

Multi-G clamp 60 cm.



Tube	Load	Art.nr.	Art.nr. black
50mm	500 kg	4550028	

Multi G clamp little load




Tube	Load	Art.nr.	Art.nr. black
50mm	100 kg	45500017	

Super Clamp




Art.nr.
4550310

Halfcoupler with half conical connector



Tube	Load	Art.nr. alu
32-35mm	35 kg	4535122
48-51mm	250 kg	4550138

Swivel coupler




Tube	Load	Art.nr. alu	Art.nr. black
48-51mm	500 kg	4550150	4550151

Swivel little load




Tube	Load	Art.nr. alu
48-51mm	100 kg	4550118

Quickcoupler



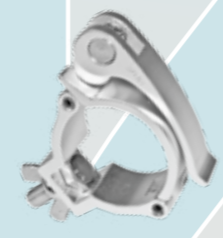
Tube	Load	Art.nr. alu	Art.nr. black
50mm	250 kg	4550210	4550211

Quickcoupler easy




Tube	Load	Art.nr. alu	Art.nr. black
48-51mm	100 kg	4550214	4550215

Halfcoupler little load M10 quicklock



Tube	Load	Art.nr. alu
50-57mm	100 kg	4550114

Halfcoupler on tube with conical connector




Tube	Lenght	Art.nr. alu
50mm	210mm	4459810

Halfcoupler with female connector



Tube	Load	Art.nr. alu
48-51mm	250 kg	4550142

Halfcoupler M10 with TV-tap




Tube	Load	Art.nr. alu
48-51mm	250 kg	4550146

Halfcoupler load M10




Tube	Load	Art.nr. alu	Art.nr. black
32-35mm	75 kg	4535110	

Swivel coupler



Tube	Load	Art.nr. alu
32-35mm	75 kg	4535118

Halfcoupler little load



Tube	Load	Art.nr. alu	Art.nr. black
48-51mm	100 kg	4550110	4550111

Slip clamp M10



Tube	Load	Art.nr. alu
48-51mm	125 kg	4550126

Cornerbrace hinge coupler



Length	Art.nr.
1m	4552100
2m	4552200
3m	4552300

Cornerbrace halfcoupler



Tube	Lenght	Art.nr. alu
50mm	100cm	4553100

Cornerbrace claw clamp



Tube	Load	Art.nr. alu
50mm	100cm	4555100

Steelpin with quickrelease



System	Art.nr. alu
F32-44	4510012

End cap male



System	Art.nr. alu
F32-44	4510120

TV-tap M10



Art.nr. alu
4550910

Claw clamp



Art.nr.
4550310

Claw on tube with conical connector



Tube	Lenght	Art.nr. alu
50mm	210mm	4459800
50mm	330mm	4459830

Hinge coupler



Tube	Load	Art.nr. alu	Art.nr. black
		4550314	

Short Spacer 2 mm male



System	Lenght	Art.nr. alu
F32-44	2mm	4511002

Short Spacer 10 mm male



System	Lenght	Art.nr. alu
F32-44	2mm	4511010

Short Spacer 10 mm male



System	Lenght	Art.nr. alu
F32-44	20mm	4511020

Hinge part male



System	Orientation	Art.nr. alu
F34 + F44	Right	4510110
	Left	4510112

Half connector male



System	Thread	Material	Art.nr.
F22-24	M8	Aluminium	4510052
F32-44	M10	Aluminium	
F32-44	M10	Special steel	4510044

Special half connector male for box corner and connection dic



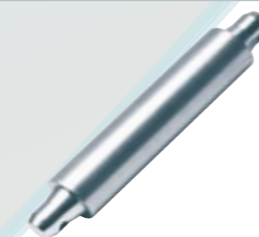
System	Art.nr. alu
F32-44	4510032

Spacer 50 mm male



System	Lenght	Art.nr. alu
F32-44	50mm	

Spacer male



System	Lenght	Art.nr.
F22-24	105mm	4511105
F32-44	170mm	4511170
F32-44	210mm	4511210

Spacer female



System	Lenght	Art.nr.
F22-24	105mm	4512105
F32-44	170mm	4512170
F32-44	210mm	4512210

Conical connector excl. pins and r-clips



System	Art.nr.
F22-24	4510002
F32-44	4510010
F52F	4510060

Connection dice M10



System	Art.nr. alu
F32-44	4510110

Steel pins



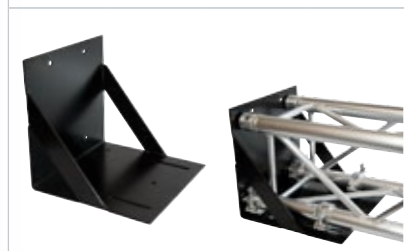
r-clip System	Art.nr.	with bolt M8 System	Art.nr.
F22-24	4510004	F32-44	4510018
F32-44	4510012		
F32-44	4510064		

Uni-plate fittingclamp M10



Plate	Art.nr. alu
6-10mm	4550920
10-16mm	4550922

Wall mount bracket



Tube	Load	Art.nr. alu
		4551010

Truss adapter with lifting eye



Tube	Load	Art.nr. alu
Lifting eye	F32-44	4550906

Truss adapter with TV tap



System	Art.nr. alu
TV-tap	F32-44 4550904

Truss tool



Art.nr.
4551020

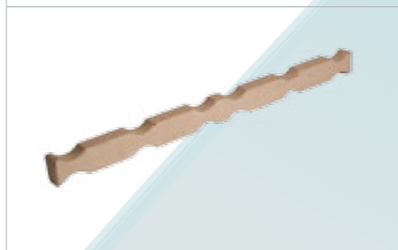
Easy assembly and disassembly of truss with this lever.

Trusscarrier plastic



System	Lenght	Art.nr.
F33-34	60cm	4551120

Trusscarrier wood



System	Lenght	Art.nr.
F33-34	60cm	4551124

Trusscarrier wheel board



System	Lenght	Art.nr.
F33-34	60cm	4551110



MultiTruss Lifter

MultiTruss proudly presents The Truss Lifter.

The Truss Lifter helps in connecting truss.

A few benefits:

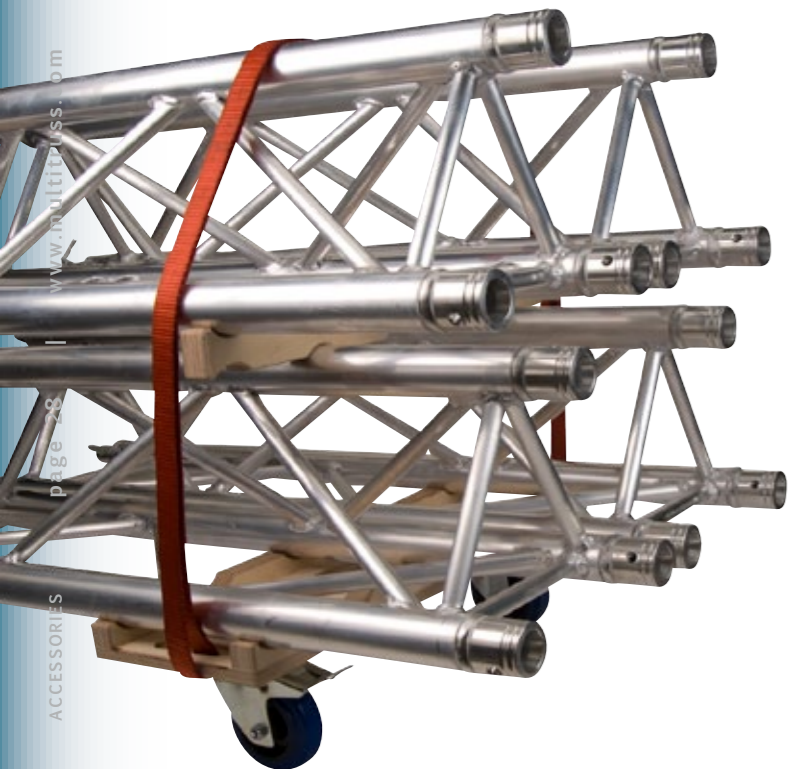
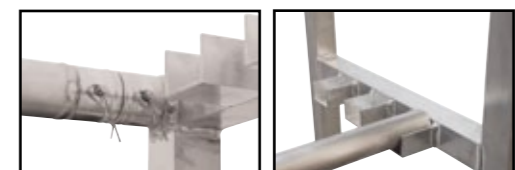
- Easy to lift trusses
- No force needed
- Lightweight
- Smart sized

Art. nr. 4551010

MultiRack

What makes this lighting transport dolly very smart is that the same dolly can be used in several settings. MultiRack comes as an assembly package which is connected by using our conical connecting system. Therefore the length of the dolly is totally adjustable to the specific wishes of the user.

- Several hanging options like 6 lighting bars, or 2 lighting bars in the middle
- Demountable
- Adjustable length
- Can be used as a lighting tower



ACCESSORIES



TOWER SYSTEM



Tower with base,
sleeve, top, 4 hinges,
1 x 4 meter F34 and
1 x 1 meter F34. Excl.
hand chain hoist and
chain bag.
Art.nr. 4434014

F34 tower with base,
sleeve, top and 4 hin-
ges. Excl. hand chain
hoist and chain bag.
Art.nr. 4434010

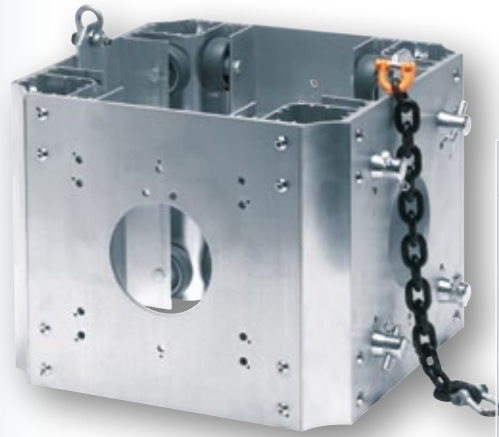
In theatre and music, MultiTruss is a household name. Our truss tower system, built with F34 and F34P elements, is used to create beautiful and impressive stage and roof constructions that are both easy to assemble and safe to use.

Using the universal components and accessories from MultiTruss gives you endless possibilities that easily become reality, due to our combination of high quality products and competitive prices.

Strength and Precision

The sleeve block from MultiTruss is a fully bolted, structural element that is remarkably stronger than welded sleeve blocks. F32, F33, F34, F43 and F44 can easily be connected to the sleeve block. Can be delivered disassembled as construction kit.

F34 sleeve block Art.nr. 4434310
F44 sleeve block Art.nr. 4444310



Hand chain hoist 1000 kg.

Chain	Art.nr. alu
6 metre	48003-06
8 metre	48003-08

Chainbag

Art.nr. alu
4800910

Base

Galvanized	Art.nr.
Black coated	4434114

Base Cross foot male

System	Art.nr.
F14	4234928

Base Cross foot male

System	Art.nr.
F33-34	4234930

Base Cross foot male

System	Art.nr.
F43-44	4234929

Top section for handwinch

Art.nr. alu
4434418

Top section for hand chain hoist with safety chair

Art.nr. alu
4434410

Indoor outrigger with corner brace

Length	Art.nr. alu
150 cm	4434218

Ballast outrigger

Art.nr.
4434250

Ballast outrigger cornerbrace

Art.nr.
4434238

Top section for hand chain hoist

System	Art.nr. alu
F44	4444410

Top section for electro chain hoist

System	Art.nr. alu
F34	4434411

Half conical steel connector for sleeveblock

Art.nr. alu
4510044

Hand winch, assembling plate and wire rope

Load	Art.nr.
900Kg	4434440
500Kg	4434444

Indoor outrigger

Length	Art.nr.
25 cm	4434210
75 cm	4434214

outdoor outrigger

Length	Art.nr.
25 cm	4434230

Conical connector hinge

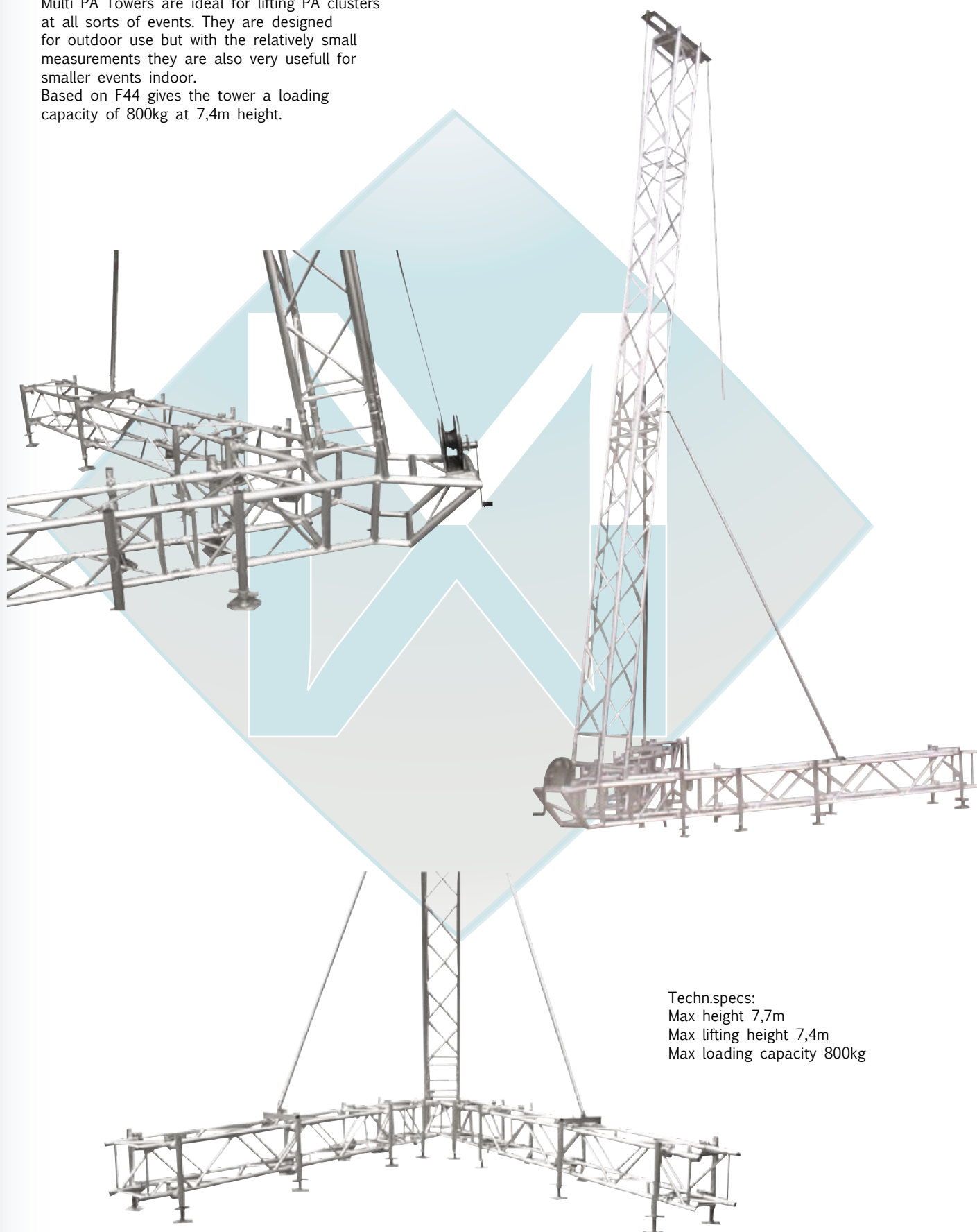
Art.nr. alu	
Left	4510112
Right	4510110

ACCESSORIES

MULTI PA TOWER

Multi PA Towers are ideal for lifting PA clusters at all sorts of events. They are designed for outdoor use but with the relatively small measurements they are also very useful for smaller events indoor.

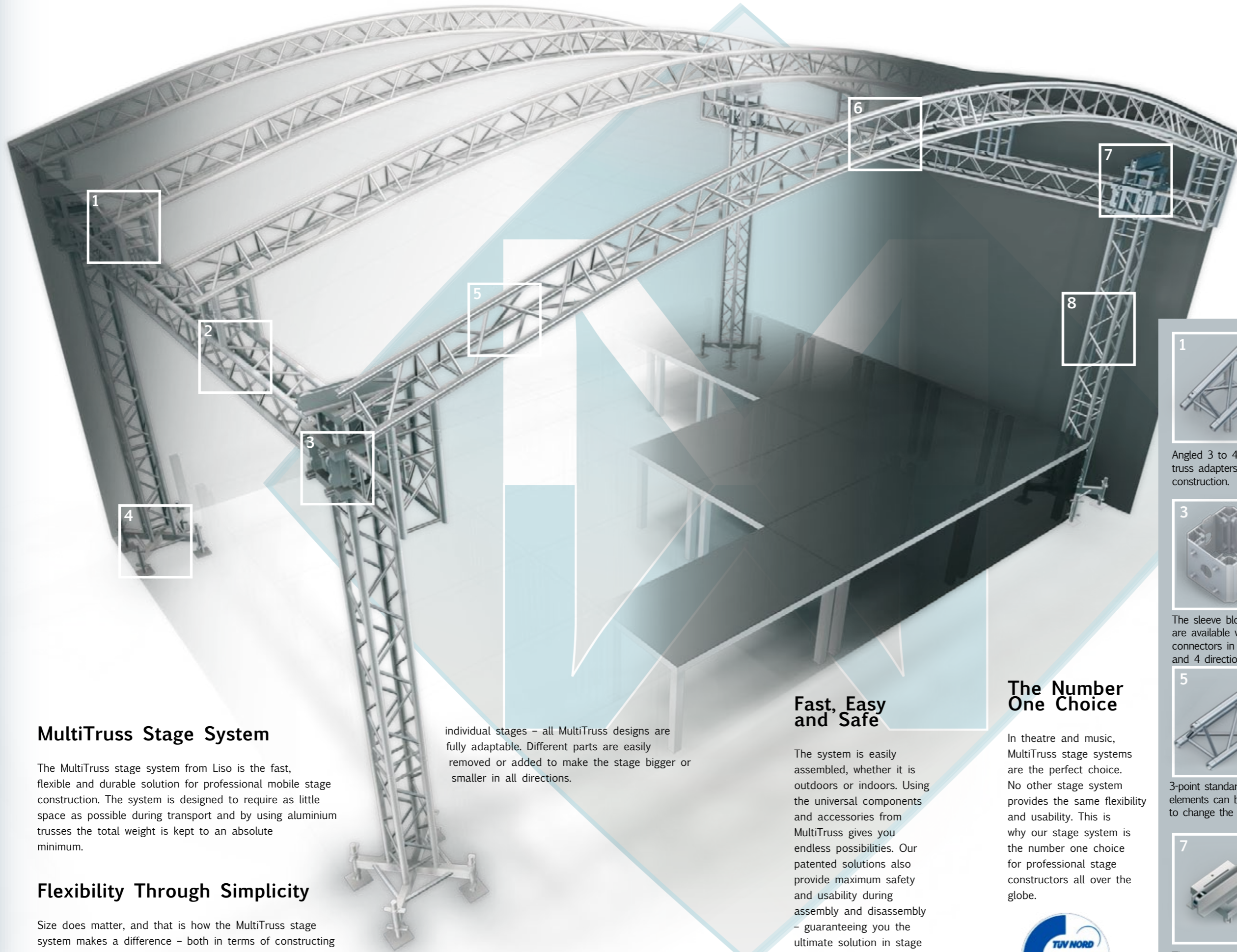
Based on F44 gives the tower a loading capacity of 800kg at 7,4m height.



Techn.specs:
Max height 7,7m
Max lifting height 7,4m
Max loading capacity 800kg

STAGE SYSTEM





MultiTruss Stage System

The MultiTruss stage system from Liso is the fast, flexible and durable solution for professional mobile stage construction. The system is designed to require as little space as possible during transport and by using aluminium trusses the total weight is kept to an absolute minimum.

Flexibility Through Simplicity

Size does matter, and that is how the MultiTruss stage system makes a difference – both in terms of constructing larger stages or in terms of reducing the stage size. The system is designed for maximum flexibility. This is achieved by not having any specialized parts for

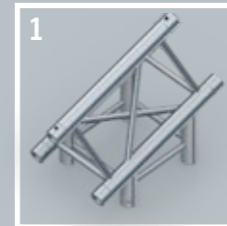
individual stages – all MultiTruss designs are fully adaptable. Different parts are easily removed or added to make the stage bigger or smaller in all directions.

Fast, Easy and Safe

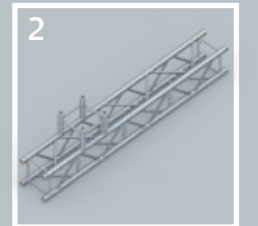
The system is easily assembled, whether it is outdoors or indoors. Using the universal components and accessories from MultiTruss gives you endless possibilities. Our patented solutions also provide maximum safety and usability during assembly and disassembly – guaranteeing you the ultimate solution in stage systems.

The Number One Choice

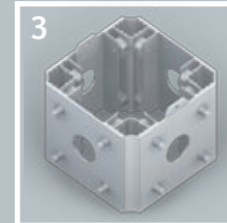
In theatre and music, MultiTruss stage systems are the perfect choice. No other stage system provides the same flexibility and usability. This is why our stage system is the number one choice for professional stage constructors all over the globe.



1 Angled 3 to 4-point truss adapters for roof construction.



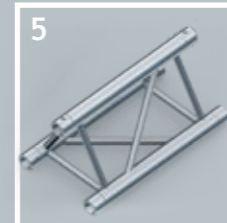
2 T-piece truss elements designed for strength and fast assembly.



3 The sleeve blocks are available with connectors in 2, 3 and 4 directions.



4 Adjustable bases offer increased stability on uneven surfaces.



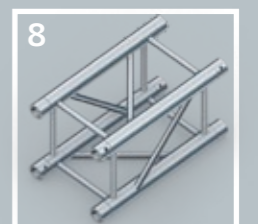
5 3-point standard truss elements can be replaced to change the width.



6 The arched truss elements give the stage its unique look.

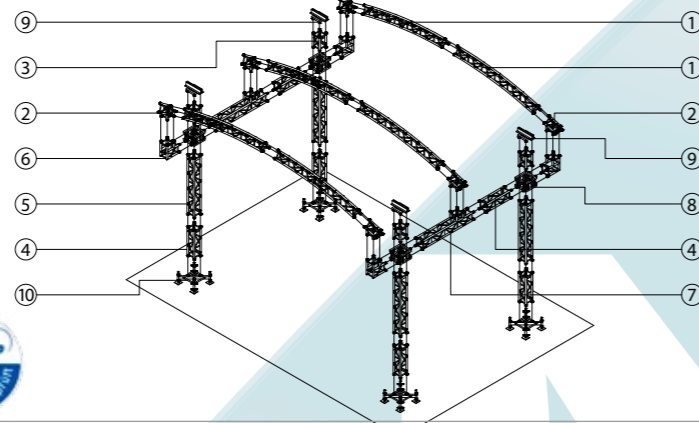
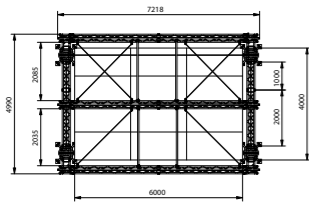
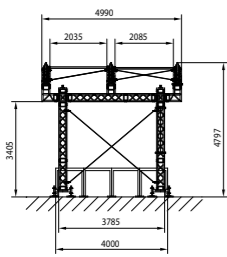
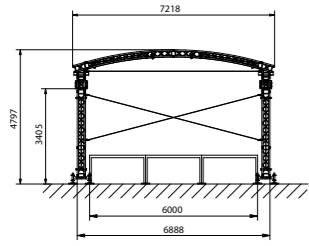


7 The tower top is the key to easy elevation of the stage roof.



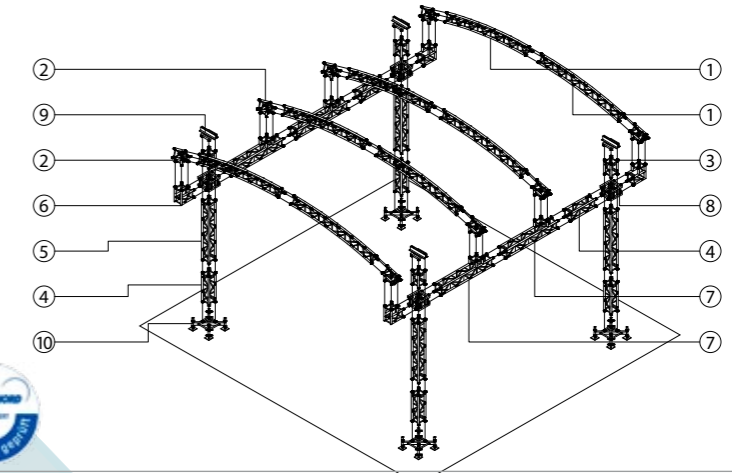
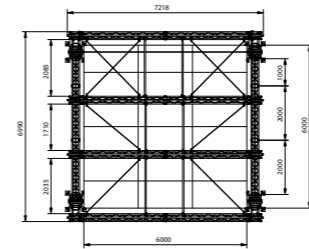
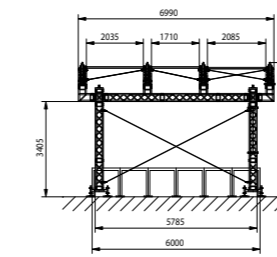
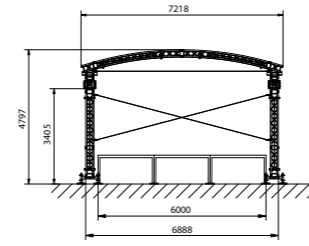
8 F34 standard truss elements can be replaced to change the height.

LRSI-604-5 Stage size 6 x 4 m, height 5 m



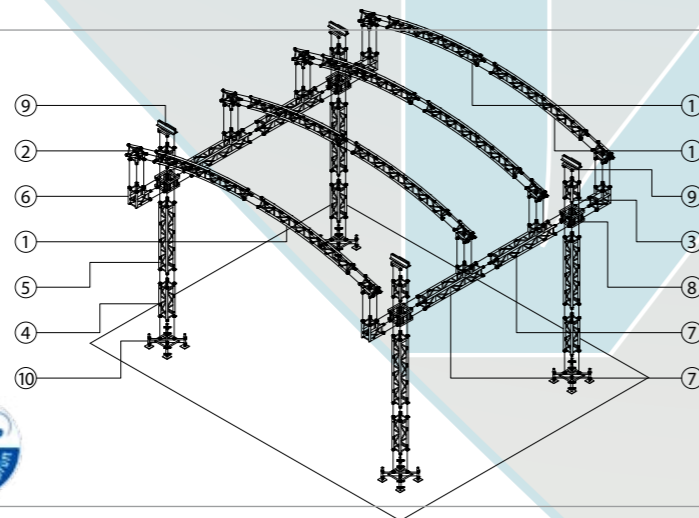
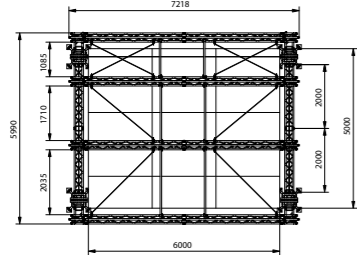
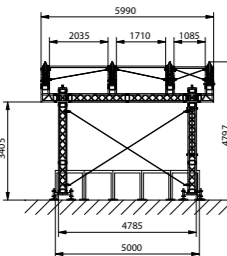
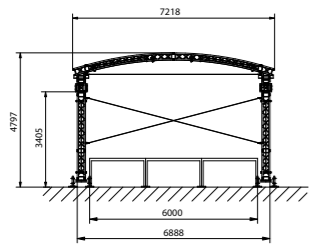
Position	Units	Description	Measurements	Art.nr.
1	6	F33 arched truss	3190 mm	4458020
2	6	F33 / F34 LRSI adapter		4458010
3	4	F34 truss	500 mm	4234050
4	6	F34 truss	1000 mm	4134100
5	4	F34 truss	2000 mm	4234200
6	4	F34 2-way corner 90 degrees	500 mm	4234C21
7	2	F34 3-way T-piece	2000 mm	4458030
8	4	Sleeve block M294 LRSI 2-way		4434310
9	4	Tower top 294		4434414
10	4	Base F34 LRSI M294		4234920

LRSI-606-5 Stage size 6 x 6 m, height 5 m



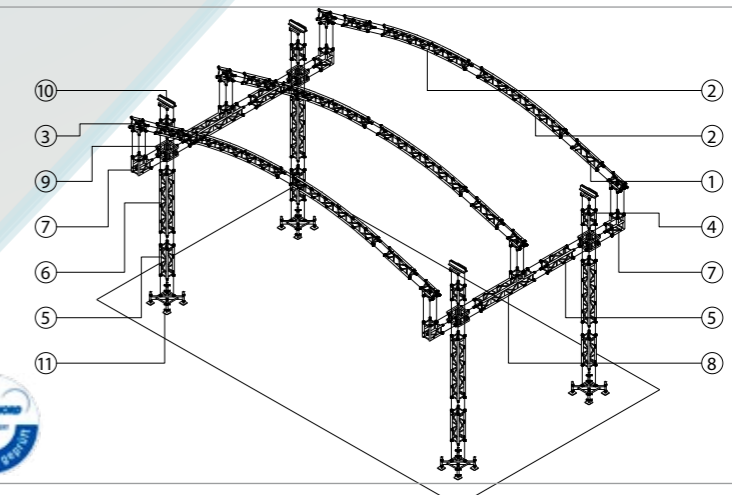
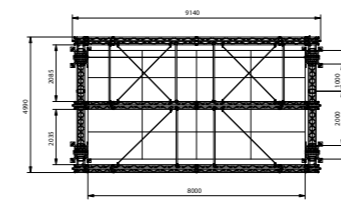
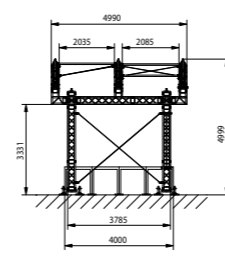
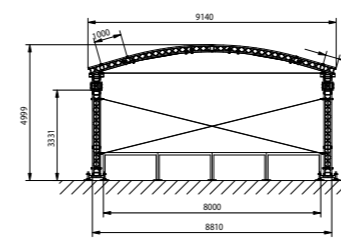
Position	Units	Description	Measurements	Art.nr.
1	8	F33 arched truss	3190 mm	4458020
2	8	F33 / F34 LRSI adapter		4458010
3	4	F34 truss	500 mm	4234050
4	6	F34 truss	1000 mm	4134100
5	4	F34 truss	2000 mm	4234200
6	4	F34 2-way corner 90 degrees	500 mm	4234C21
7	4	F34 3-way T-piece	2000 mm	4458030
8	4	Sleeve block M294 LRSI 2-way		4434310
9	4	Tower top 294		4434414
10	4	Base F34 LRSI M294		4234920

LRSI-605-5 Stage size 6 x 5 m, height 5 m



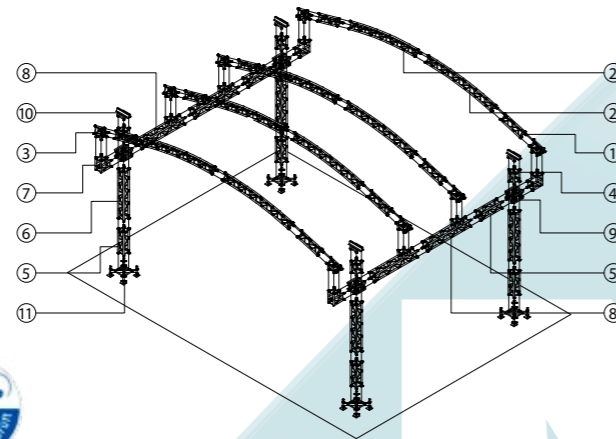
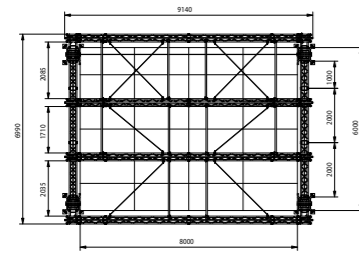
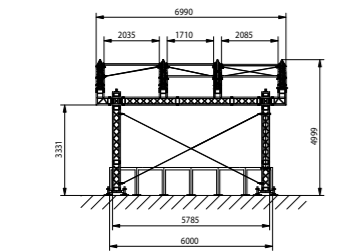
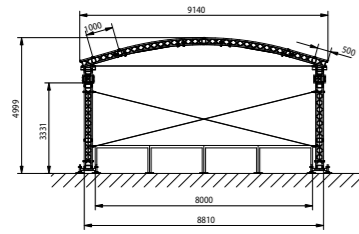
Position	Units	Description	Measurements	Art.nr.
1	8	F33 arched truss	3190 mm	4458020
2	8	F33 / F34 LRSI adapter		4458010
3	4	F34 truss	500 mm	4234050
4	6	F34 truss	1000 mm	4134100
5	4	F34 truss	2000 mm	4234200
6	4	F34 2-way corner 90 degrees	500 mm	4234C21
7	4	F34 3-way T-piece	2000 mm	4458030
8	4	Sleeve block M294 LRSI 2-way		4434310
9	4	Tower top 294		4434414
10	4	Base F34 LRSI M294		4234920

LRSI-804-5 Stage size 8 x 4 m, height 5 m



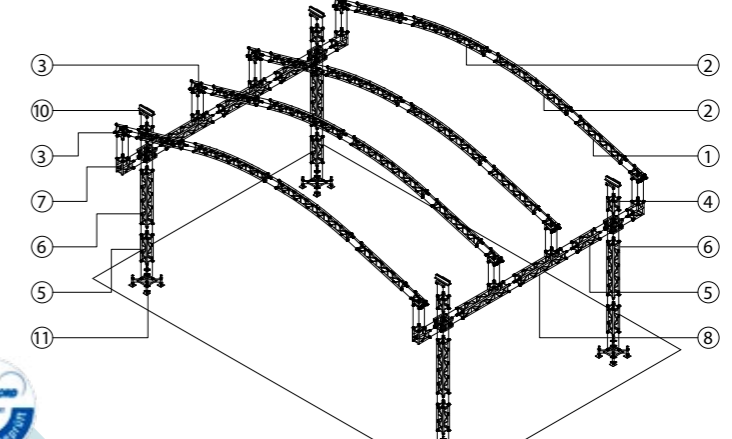
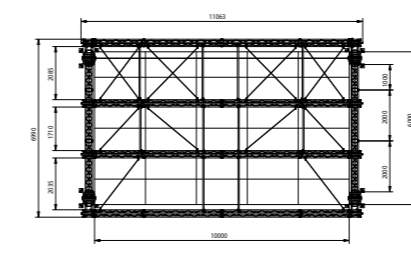
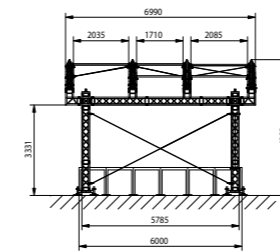
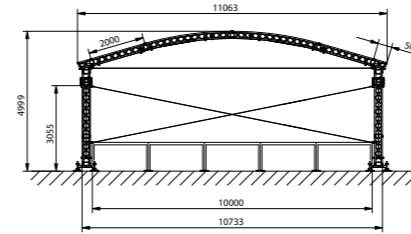
Position	Units	Description	Measurements	Art.nr.
1	6	F33 truss	1000 mm	4233100
2	6	F33 arched truss	3190 mm	4458020
3	6	F33 / F34 LRSI adapter		4458010
4	4	F34 truss	500 mm	4234050
5	6	F34 truss	1000 mm	4134100
6	4	F34 truss	2000 mm	4234200
7	4	F34 2-way corner 90 degrees	500 mm	4234C21
8	2	F34 3-way T-piece	2000 mm	4458030
9	4	Sleeve block M294 LRSI 2-way		4434310
10	4	Tower top 294		4434414
11	4	Base F34 LRSI M294		4234920

LRSI-806-5 Stage size 8 x 6 m, height 5 m



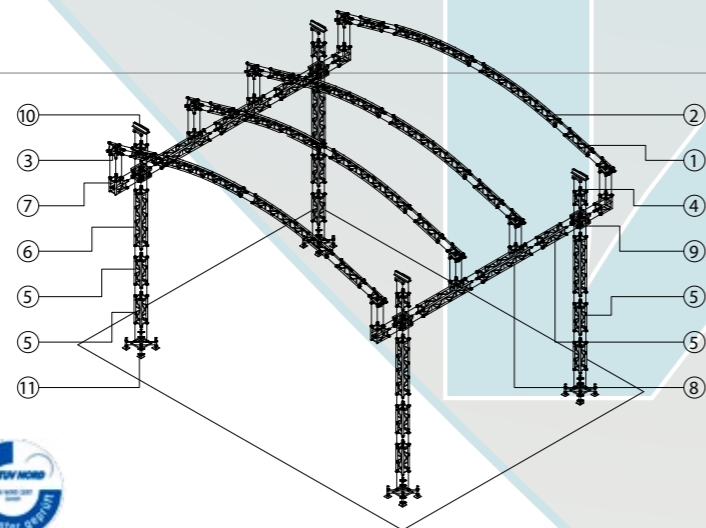
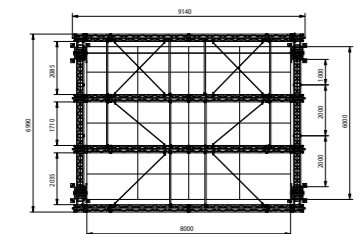
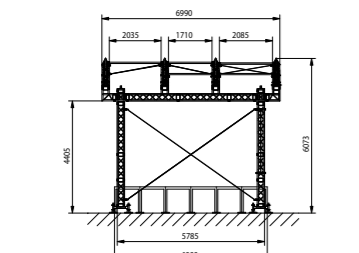
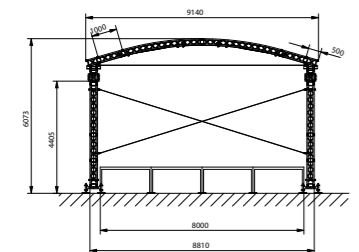
Position	Units	Description	Measurements	Art.nr.
1	8	F33 truss	1000 mm	4233100
2	8	F33 arched truss	3190 mm	4458020
3	8	F33 / F34 LRSI adapter		4458010
4	4	F34 truss	500 mm	4234050
5	6	F34 truss	1000 mm	4134100
6	4	F34 truss	2000 mm	4234200
7	4	F34 2-way corner 90 degrees	500 mm	4234C21
8	4	F34 3-way T-piece	2000 mm	4458030
9	4	Sleeve block M294 LRSI 2-way		4434310
10	4	Tower top 294		4434414
11	4	Base F34 LRSI M294		4234920

LRSI-1006-5 Stage size 10 x 6 m, height 5 m



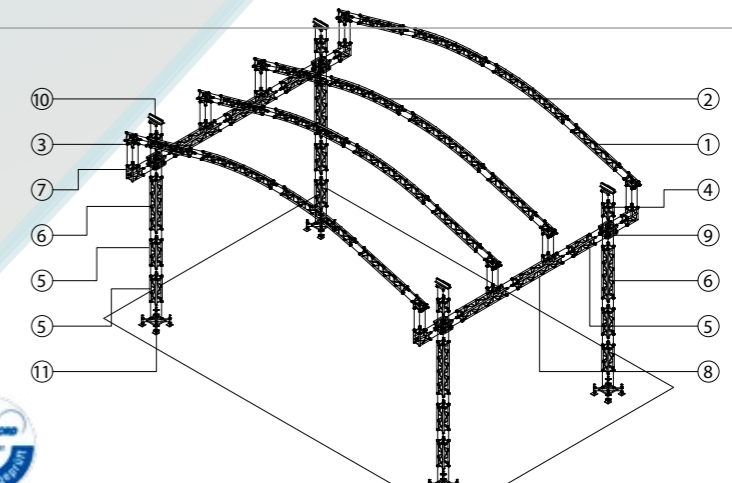
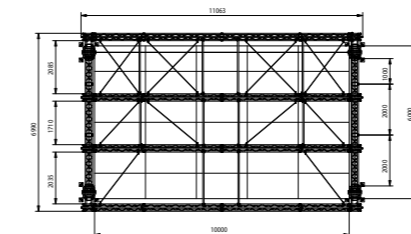
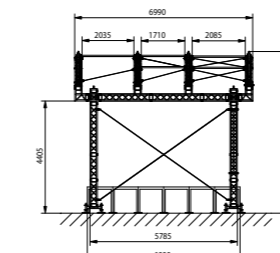
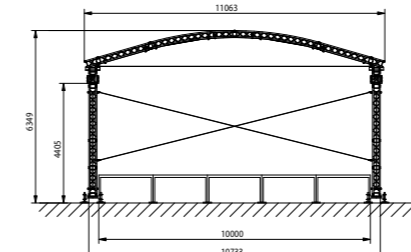
Position	Units	Description	Measurements	Art. Nr
1	8	F33 truss	2000 mm	4233200
2	8	F33 arched truss	3190 mm	4458020
3	8	F33 / F34 LRSI adapter		4458010
4	4	F34 truss	500 mm	4234050
5	6	F34 truss	1000 mm	4134100
6	4	F34 truss	2000 mm	4234200
7	4	F34 2-way corner 90 degrees	500 mm	4234C21
8	4	F34 3-way T-piece	2000 mm	4458030
9	4	Sleeve block M294 LRSI 2-way		4434310
10	4	Tower top 294		4434414
11	4	Base F34 LRSI M294		4234920

LRSI-806-6 Stage size 8 x 6 m, height 6 m



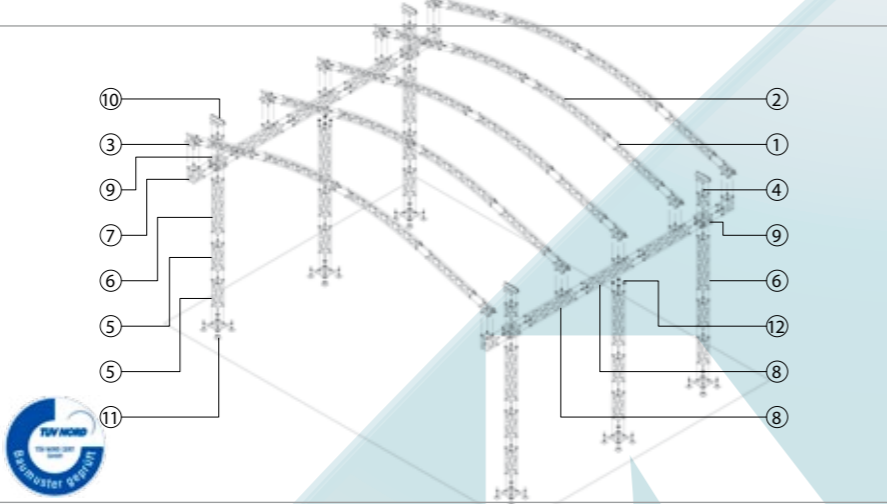
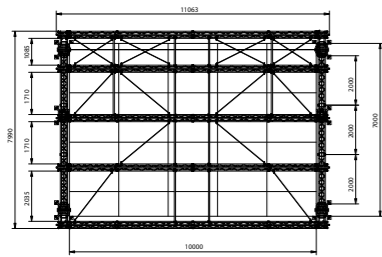
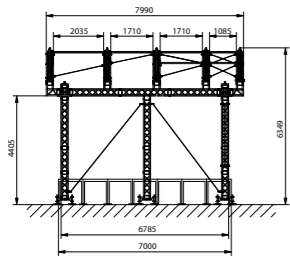
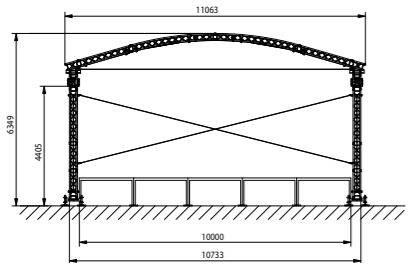
Position	Units	Description	Measurements	Art.nr.
1	8	F33 truss	1000 mm	4233100
2	8	F33 arched truss	3190 mm	4458020
3	8	F33 / F34 LRSI adapter		4458010
4	4	F34 truss	500 mm	4234050
5	10	F34 truss	1000 mm	4134100
6	4	F34 truss	2000 mm	4234200
7	4	F34 2-way corner 90 degrees	500 mm	4234C21
8	4	F34 3-way T-piece	2000 mm	4458030
9	4	Sleeve block M294 LRSI 2-way		4434310
10	4	Tower top 294		4434414
11	4	Base F34 LRSI M294		4234920

LRSI-1006-6 Stage size 10 x 6 m, height 6 m



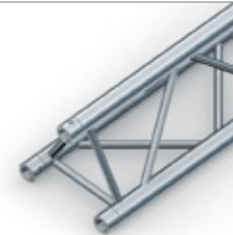
Position	Units	Description	Measurements	Art. Nr
1	8	F33 truss	2000 mm	4233200
2	8	F33 arched truss	3190 mm	4458020
3	8	F33 / F34 LRSI adapter		4458010
4	4	F34 truss	500 mm	4234050
5	10	F34 truss	1000 mm	4134100
6	4	F34 truss	2000 mm	4234200
7	4	F34 2-way corner 90 degrees	500 mm	4234C21
8	4	F34 3-way T-piece	2000 mm	4458030
9	4	Sleeve block M294 LRSI 2-way		4434310
10	4	Tower top 294		4434414
11	4	Base F34 LRSI M294		4234920

LRSI-1007-6 Stage size 10 x 7 m, height 6 m



Position	Units	Description	Measurements	Art.Nr.
1	10	F33 truss	2000 mm	4233200
2	10	F33 arched truss	3190 mm	4458020
3	10	F33 / F34 LRSI adapter		4458010
4	4	F34 truss	500 mm	4234050
5	12	F34 truss	1000 mm	4134100
6	6	F34 truss	2000 mm	4234200
7	4	F34 2-way corner 90 degrees	500 mm	4234C21
8	6	F34 3-way T-piece	2000 mm	4458030
9	4	Sleeve block M294 LRSI 2-way		4434310
10	4	Tower top 294		4434414
11	4	Base F34 LRSI M294		4234920
12	2	Adapter for F34 LRSI M294		4458015

F33 truss



Length	Art.Nr.
500mm	4233050
1000mm	4233100
1500mm	4233150
2000mm	4233200

F34 truss



Length	Art.Nr.
500mm	4234050
1000mm	4134100
2000mm	4234200

F33 arched truss



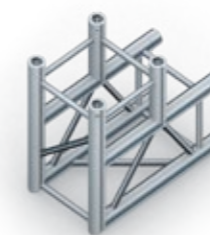
Length	Art.Nr.
3190mm	4458020

F33 / F34 LRSI adapter



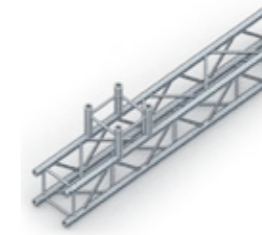
Art.Nr.
4458010

F34 2-way corner 90 degrees



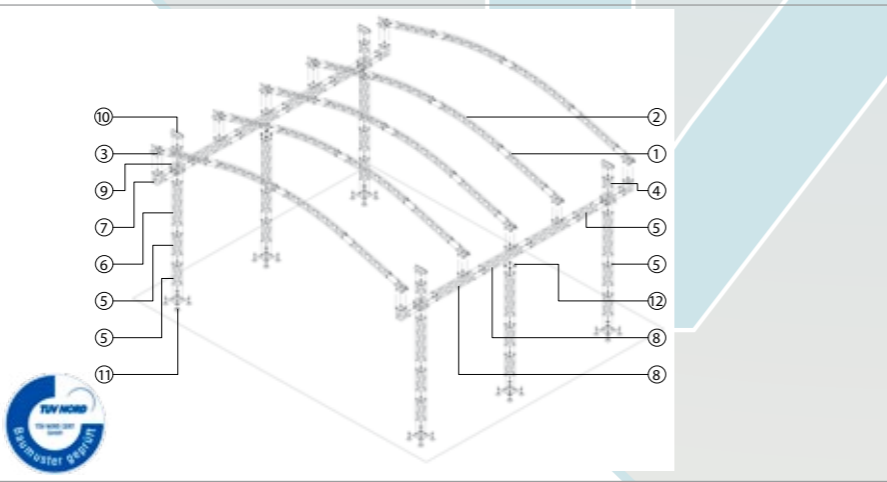
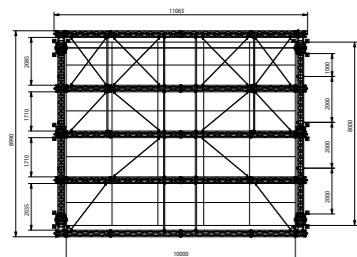
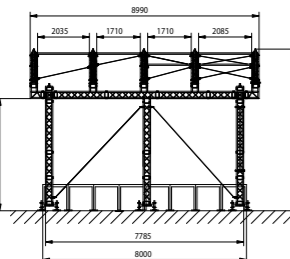
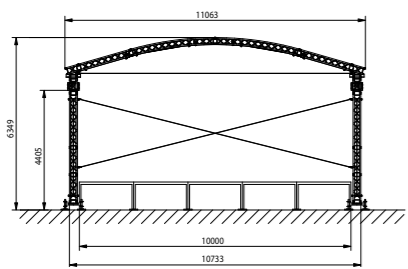
Length	Art.Nr.
500mm	4234C21

F34 3-way T-piece



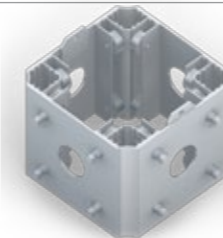
Length	Art.Nr.
2000mm	4458030

LRSI-1008-6 Stage size 10 x 8 m, height 6 m



Position	Units	Description	Measurements	Art.Nr.
1	10	F33 truss	2000 mm	4233200
2	10	F33 arched truss	3190 mm	4458020
3	10	F33 / F34 LRSI adapter		4458010
4	4	F34 truss	500 mm	4234050
5	14	F34 truss	1000 mm	4134100
6	6	F34 truss	2000 mm	4234200
7	4	F34 2-way corner 90 degrees	500 mm	4121-12
8	6	F34 3-way T-piece	2000 mm	4458030
9	4	Sleeve block M294 LRSI 2-way		4434310
10	4	Tower top 294		4434414
11	4	Base F34 LRSI M294		4234920
12	2	Adapter for F34 LRSI M294		4458015

Sleeve block



Size	Art.Nr.
F34-way	4434310
F44-way	49209

Tower top 294



Art.Nr.
4434414

Base galvanized



Art.Nr.
4434110

Base black coated



Art.Nr.
4434114



F32 lightweight tunnel roof

- Good price quality rating
- Can be built by only one person
- Extreme low storage space
- Canopy on top, and 50% open backside-canopy included
- Different canopy color is optional

Due to the special design we were able to construct this roof with only tubes and F32 trusses. The roof comes as a complete system with canopy included.



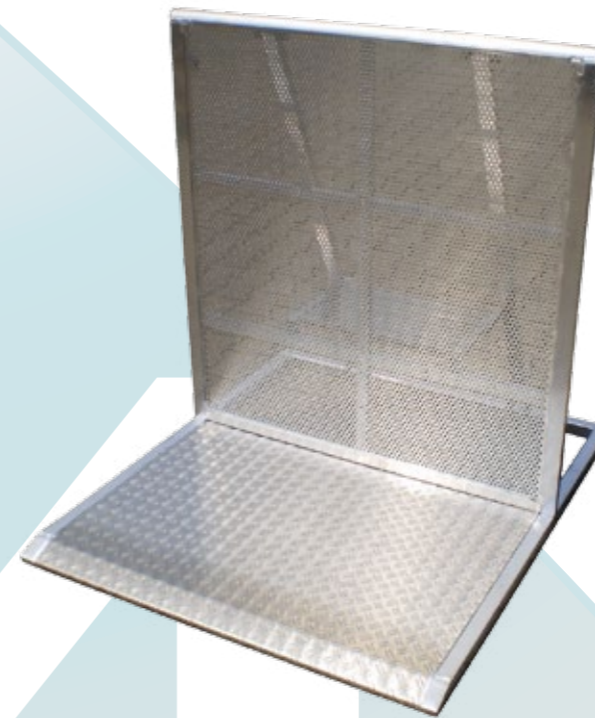
MULTIBARRIERS



MULTIBARRIER

MultiBarrier is a system designed to use in sensitive areas of events with a potentially large crowd. Forming a barricade between the crowd and the stage they serve as a safety control device.

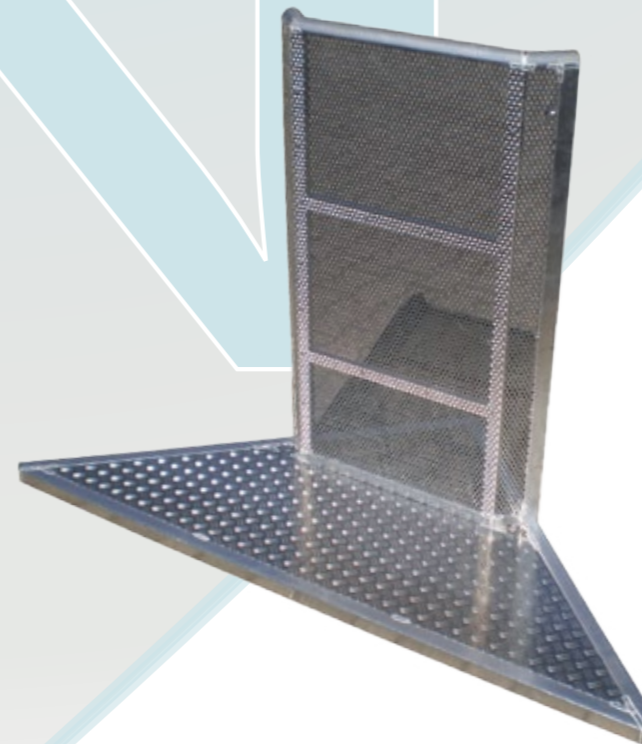
The system is ideal for all types of events including pop concerts, firework displays, film locations, film premiers, demonstrations and public disorder events. Based on a modular design the lightweight aluminium barriers make the system easy for transportation and building.



MultiBarrier with security platform
base 100 x 104cm height 100cm
36kg
Art.nr. 4710100



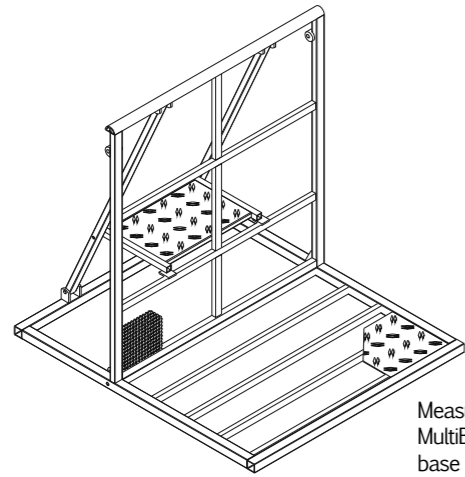
Next to standard parts we also have a range of fixed corners, variable corners and gate barriers. Standard elements are easy to combine with special elements simply by connecting elements using bolts.



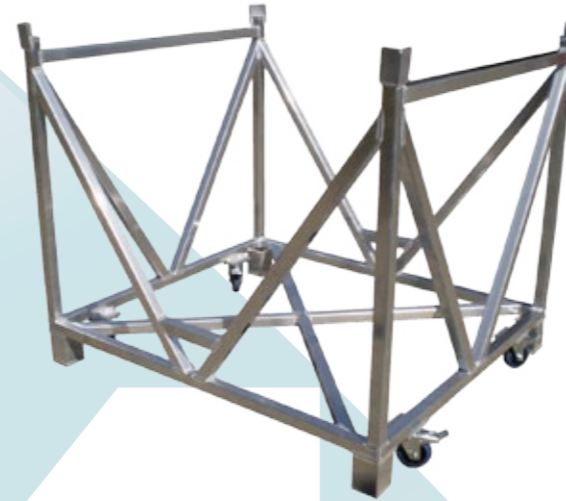
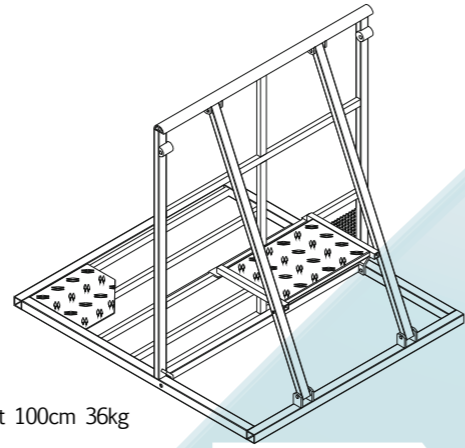
Art.nr. 4710112

Transport frames to house the different types of barriers are available and are also very useful for storage.

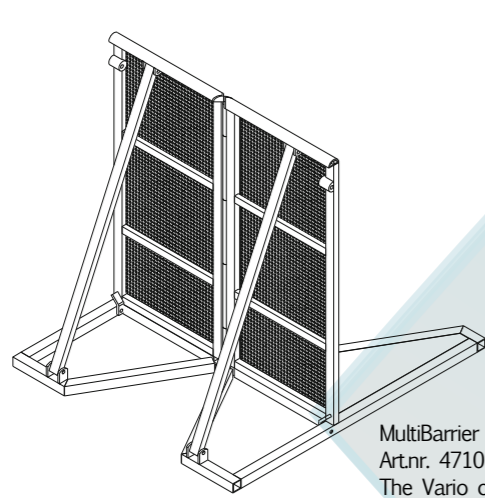




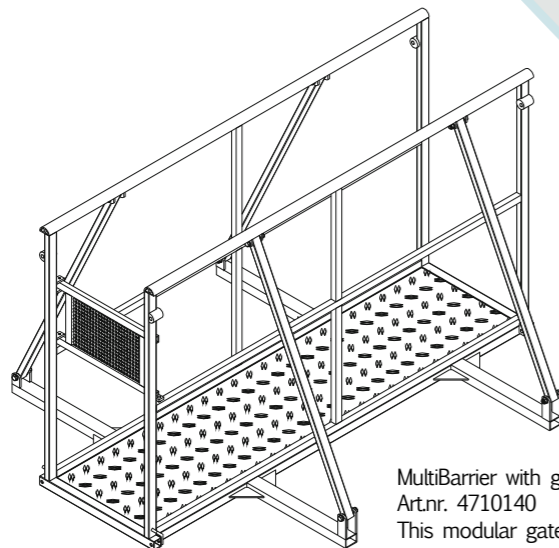
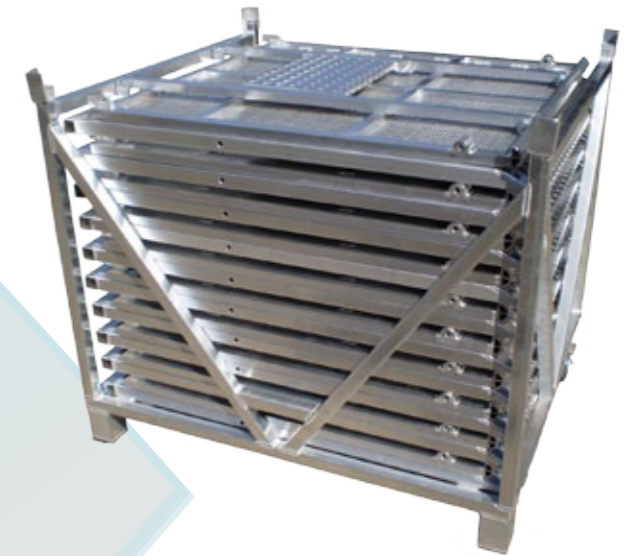
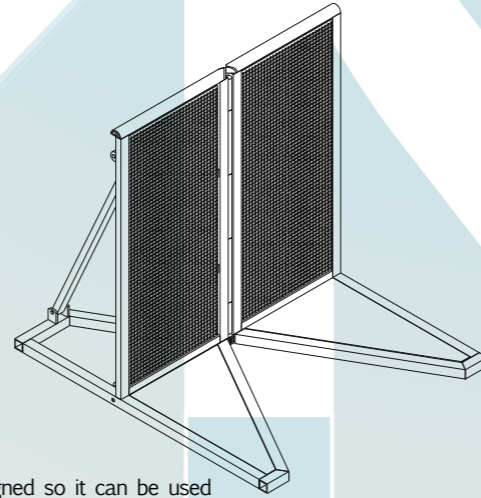
Measurements:
MultiBarrier
base 100 x 104cm height 100cm 36kg
Art.nr. 4710100



MultiBarrier transport - storage frame
base Art.nr. 4710180



MultiBarrier Vario corner
Art.nr. 4710130
The Vario corner is designed so it can be used
as an inside as well an outside corner.



MultiBarrier with gate
Art.nr. 4710140
This modular gate system is used for controlling
the entrance ways for festivals and ensures the
crowd enters the site in an ordered fashion.



RIGGING



CM Lodestar

The CM Lodestar is the most durable chain hoist on the market today. Its reliability is unsurpassed in the entertainment industry. The CM Lodestar is the "Riggers Choice".

Standard features:

- Capacities - 125 to 3000kg
- Speeds - 1.4 to 16 m/min, rated at 50 Hz
- High reliability and long life.
- H4 duty rated at 30 minutes/300 starts/hour.
- Overload protection offers increased security.
- 110 Volt control available for long cable runs without voltage drop. 24 and 48 are optional.
- Colour flat black
- Protection class: IP54
- Also available in 230V -1 Phase-50 Hz



CM Prostar

The CM Prostar models are designed and built for the unique rigging applications encountered at small venues. Light weight, quiet and portable. The CM Prostar features an overload device that protects the hoist, operator and structure from damaging overloads.

Standard features:

- Capacities 136 to 500kg possibilities
- Single reeved - 136 - 226 - 250 kg
- Double reeved - 272 - 452 - 500 kg
- Speeds 1.5 to 10 m/min, rated at 50 Hz
- Voltages single phase & three-phase available
- Compact package - Aluminium housing is strong and lightweight, measuring only 318mm in length
- Quiet and smooth - CM Patent 10 pocket oblique lift wheel
- Chain stop - Mounted on load chain prevents over travel
- Overload protection - Helps prevent lifting of dangerous overloads
- Meets requirements - Meets or exceeds worldwide standards
- Available models - Low voltage (110V) or direct control

CM Lodestar 110V /110V Low Voltage (LV) Control

Capacity	Speed	Chain	Art.nr.
250kg	4m/min	20m	48152-20
500kg	4m/min	20m	48154-20
500kg	8m/min	20m	48156-20
500kg	16m/min	20m	48158-20
1000kg	4m/min	20m	48160-20
1000kg	8m/min	20m	48162-20
2000kg	2m/min	20m	48164-20
2000kg	4m/min	20m	48164-20

CM Lodestar 400V Direct Control (DC)

Capacity	Speed	Chain	Art.nr.
250kg	4m/min	20m	48132-20
500kg	4m/min	20m	48134-20
500kg	8m/min	20m	48136-20
500kg	16m/min	20m	48138-20
1000kg	4m/min	20m	48140-20
1000kg	8m/min	20m	48142-20
2000kg	2m/min	20m	48144-20
2000kg	4m/min	20m	48146-20

CM Prostar 400V/110V Low Voltage (LV) Control

Capacity	Speed	Chain	Art.nr.
136kg	4m/min	10m	48102-10
136kg	6m/min	10m	48104-10
136kg	10m/min	10m	48106-10
250kg	4m/min	10m	48108-10
250kg	6m/min	10m	48110-10
500kg	2m/min	10m	48112-10

CM Prostar 230V/110V Low Voltage (LV) Control

Capacity	Speed	Chain	Art.nr.
136kg	4m/min	10m	48116-10
226kg	3m/min	10m	48118-10
452kg	1,5m/min	10m	48120-10

Prices includes:

- Standard chain length 20mtr
- Chain bag type ARS
- Upper and Lower hook with bouncing clip.
- Approx 0.5 m power cable with plug CEE 4 p red.
- Approx 0.5 m control cable with connector CEE 4 p yellow for LV hoists
- Handles are mounted on to body.
- LIFETIME WARRANTY (ask for terms)

CM Lodestar 400V /110V Low Voltage (LV) Control Double Brake BGV-DB+

Capacity	Speed	Chain	Art.nr.
250kg	4m/min	20m	48172-20
250kg	8m/min	20m	48174-20
500kg	4m/min	20m	48176-20
1000kg	2m/min	20m	48178-20

CM Prostar 400V Direct Control (DC)

Capacity	Speed	Chain	Art.nr.
250kg	4m/min	10m	48124-10
250kg	6m/min	10m	48126-10

Prices includes:

- Standard chain length 10mtr
- Chain bag
- Upper and Lower hook with bouncing clip
- Approx 0.5 m control cable with connector CEE 4 p yellow for LV 3phase hoists
- Approx 0.5 m control cable with connector CEE 3 p blue for LV 1phase hoists
- Approx 0.5 m power cable with plug CEE 4 p red.

CM provides a wide range of accessoires for Lodestar and Prostar hoists.



Controllers for electro chain hoists

Direct Control (DC) chain hoist			Wall Mount	Low Voltage (LV) chain hoist		
2way	Local Control	CEE out		2way	Local Control	CEE out
2way	Remote Control*	CEE out		2way	Remote Control*	CEE out
4way	Local Control	Harting out		4way	Local Control	Harting out
4way	Remote Control*	Harting out		4way	Remote Control*	Harting out
6way	Local Control	Harting out		6way	Local Control	Harting out
6way	Remote Control*	Harting out		6way	Remote Control*	Harting out
8way	Local Control	Harting out		8way	Local Control	Harting out
8way	Remote Control*	Harting out		8way	Remote Control*	Harting out
* range Remote Control 15 mtr.				* range Remote Control 15 mtr.		

Powerdistribution

Motor Break-outs Harting	
Low Voltage (LV) + Direct Control (DC) Art.nr. 48330	Low Voltage (LV) Art.nr. 48332

Motor Break-outs Socapex	
Low Voltage (LV) + Direct Control (DC)	Low Voltage (LV)

Direct Control (DC) chasin hoist			Metal Box	Low Voltage (LV) chasin hoist		
1way	Local Control	4 pol CEE out		2way	Local Control	4 pol CEE out
2way	Local Control	4 pol CEE out		4way	Local Control	Harting out
4way	Local Control	Harting out		4way	Remote Control*	Harting out autom. phase detection
4way	Remote Control*	Harting out autom. phase detection		6way	Local Control	Harting out
6way	Local Control	Harting out		6way	Remote Control*	Harting out autom. phase detection
6way	Remote Control*	Harting out autom. phase detection		8way	Local Control	Harting out
8way	Local Control	Harting out		8way	Remote Control*	Harting out autom. phase detection
8way	Remote Control*	Harting out autom. phase detection				
* range Remote Control 15 mtr.				* range Remote Control 15 mtr.		

Multicable 16 pol llme side connection													
	<table border="1"> <thead> <tr> <th>Lenght</th> <th>Art.nr.</th> </tr> </thead> <tbody> <tr> <td>1,5 hlf 5 mtr. black</td> <td>48340-05</td> </tr> <tr> <td>1,5 hlf 10 mtr. black</td> <td>48340-10</td> </tr> <tr> <td>1,5 hlf 15 mtr. black</td> <td>48340-15</td> </tr> <tr> <td>2,5 hlf 20 mtr. black</td> <td>48342-20</td> </tr> <tr> <td>2,5 hlf 25 mtr. black</td> <td>48342-25</td> </tr> </tbody> </table>	Lenght	Art.nr.	1,5 hlf 5 mtr. black	48340-05	1,5 hlf 10 mtr. black	48340-10	1,5 hlf 15 mtr. black	48340-15	2,5 hlf 20 mtr. black	48342-20	2,5 hlf 25 mtr. black	48342-25
Lenght	Art.nr.												
1,5 hlf 5 mtr. black	48340-05												
1,5 hlf 10 mtr. black	48340-10												
1,5 hlf 15 mtr. black	48340-15												
2,5 hlf 20 mtr. black	48342-20												
2,5 hlf 25 mtr. black	48342-25												

Motorcables 4 pol CEE red 16A neopreen													
	<table border="1"> <thead> <tr> <th>Lenght</th> <th>Art. Nr</th> </tr> </thead> <tbody> <tr> <td>4 x 1,5 5 mtr.</td> <td>48350-05</td> </tr> <tr> <td>4 x 1,5 7,5 mtr.</td> <td>48350-07</td> </tr> <tr> <td>4 x 1,5 10 mtr.</td> <td>48350-10</td> </tr> <tr> <td>4 x 1,5 15 mtr.</td> <td>48350-15</td> </tr> <tr> <td>4 x 2,5 25 mtr.</td> <td>48352-25</td> </tr> </tbody> </table>	Lenght	Art. Nr	4 x 1,5 5 mtr.	48350-05	4 x 1,5 7,5 mtr.	48350-07	4 x 1,5 10 mtr.	48350-10	4 x 1,5 15 mtr.	48350-15	4 x 2,5 25 mtr.	48352-25
Lenght	Art. Nr												
4 x 1,5 5 mtr.	48350-05												
4 x 1,5 7,5 mtr.	48350-07												
4 x 1,5 10 mtr.	48350-10												
4 x 1,5 15 mtr.	48350-15												
4 x 2,5 25 mtr.	48352-25												


Direct Control (DC) chasin hoist			Flight case	Low Voltage (LV) chasin hoist		
2way	Local Control	4 pol CEE out		2way	Local Control	4 pol CEE out
4way	Local Control	Harting out		4way	Local Control	Harting out
4way	Remote Control*	Harting out autom. phase detection		4way	Remote Control*	Harting out autom. phase detection
6way	Local Control	Harting out		6way	Local Control	Harting out
6way	Remote Control*	Harting out autom. phase detection		6way	Remote Control*	Harting out autom. phase detection
8way	Local Control	Harting out		8way	Local Control	Harting out
8way	Remote Control*	Harting out autom. phase detection		8way	Remote Control*	Harting out autom. phase detection
* range Remote Control 15 mtr.					* range Remote Control 15 mtr.	

Multi motorcable power and control in 1 cable 4 pol CEE red + 4 pol CEE yellow													
	<table border="1"> <thead> <tr> <th>Lenght</th> <th>Art.nr.</th> </tr> </thead> <tbody> <tr> <td>7 x 1,5 5 mtr.</td> <td>48360-05</td> </tr> <tr> <td>7 x 1,5 10 mtr.</td> <td>48360-10</td> </tr> <tr> <td>7 x 2,5 15 mtr.</td> <td>48362-15</td> </tr> <tr> <td>7 x 2,5 20 mtr.</td> <td>48362-20</td> </tr> <tr> <td>7 x 2,5 25 mtr.</td> <td>48362-25</td> </tr> </tbody> </table>	Lenght	Art.nr.	7 x 1,5 5 mtr.	48360-05	7 x 1,5 10 mtr.	48360-10	7 x 2,5 15 mtr.	48362-15	7 x 2,5 20 mtr.	48362-20	7 x 2,5 25 mtr.	48362-25
Lenght	Art.nr.												
7 x 1,5 5 mtr.	48360-05												
7 x 1,5 10 mtr.	48360-10												
7 x 2,5 15 mtr.	48362-15												
7 x 2,5 20 mtr.	48362-20												
7 x 2,5 25 mtr.	48362-25												

Winches

The GEBUWINCH range of hand-driven spur geared and worm geared winches are robustly built. Both types of winches are equipped with a load pressure brake. This brake holds the load at any required height during hoisting and lowering. The cranks can be adjusted in length and are recoil-free. All rotating parts run in maintenance-free bearings. The winches are available in combined grey/black enamel paint.

Spur geared winches according to DIN 14512170




Hoisting load first layer (kg)	Hoisting load last layer (kg)	Crank force last layer (daN)	Hoisting height per crank (mm)	Cable storage (m)	Cable diameter (mm)	Min. braking force of cable (kN)	Self weight (kg)
125	55	11	120	125	3	5,7	7
300	120	7	21	26	5	15,9	10
500	323	13	30	12	6	22,9	11
1000	684	15	21	27	9	51	28
2000	1712	24	16	7	13	106	32

Worm geared winches

The worm geared winches are available in various hoisting capacities between 250kg and 1500kg calculated on the first cable layer on the cable drum.

Worm geared winches according to DIN 14512170




Hoisting load first layer (kg)	Hoisting load last layer (kg)	Crank force last layer (daN)	Hoisting height per crank (mm)	Cable storage (m)	Cable diameter (mm)	Min. braking force of cable (kN)	Self weight (kg)
250	95	6	17	97	5	15,9	13
500	239	10	20	77	6	22,9	16
1000	542	13	13	55	9	51	29
1500	845	14	9	42	10	63	28
2000	1712	24	16	7	13	106	32

Round slings and steels


The standard steels come in 3 capacities 1, 2 and 3TON SWL. Construction of the steels 6x36ws (number of strands x number of wires + cores) with a steel kernel, smoothly oiled. Clamped with a tapered talurit avoids injuries. Steels can be delivered with or without reinforced PVC cover. Standard steels are delivered with PVC cover. Without PVC or other lengths and models are available on request.

Round slings according to NEN-EN 1492-2 delivered with a super strong cover



Capacity (kg)	Working length (m)	Art.nr.
1.000	1	48412
1.000	1,5	48413
1.000	2	48414
1.000	2,5	48415
1.000	3	48416
2.000	1	48422
2.000	1,5	48423
2.000	2	48424
2.000	2,5	48425
2.000	3	48426

Softsteels according to NEN-EN 1492-2, 1314-1 and 13414-3



Capacity (kg)	Working length (m)	Art.nr.
2.000	0,5	48471
2.000	1	48472
2.000	1,5	48473
2.000	2	48474
2.000	3	48476


The big advantage of these softsteels is that they can be used in a much higher temperature range.

Steels



Capacity (kg)	Working length (m)	Art.nr.
1.000	0,5	48441
1.000	1	48443
1.000	1,5	48445
1.000	2	48447
1.000	3	48449
2.000	1	48451
2.000	1,5	48453
2.000	2	48455
2.000	2,5	48457
2.000	3	48459


Safety steels light duty safety steels to secure Parcans, lights, beamers, ect



Length (cm)	Maximum load (kg)	Diameter cable (mm)	Art.nr.
45	10	2	48481
60	15	3	48483
75	20	4	48485

The safety steels are black with one side with open lope and the other side with karabinder 6x60black

Lashing according to NEN-EN 12195-2



Capacity (kg)	Length (m)	Art.nr.
2.000	9	48488
5.000	9	48489

Sling, Chains and Shackles

Grade 80 sling chain



Type	Ø chain (mm)	Capacity (kg)	Art.nr.
A	6	1.120	48491
A	8	2.000	48493
A	10	3.150	48495
B	6	1.120	48497
B	8	2.000	48499
B	10	3.150	48501
C	6	1.400	48503
C	8	2.500	48505
C	10	4.000	48507

Type A: master link, connecting link, chain and hook
 Type B: master link, connecting link, shortening clutch, chain and hook
 Type C: Dur Grade 100 chain: master link, shortening clutch, chain and hook

Bow-shackles galvanized shackles screw type and bolt type with safety factor 6

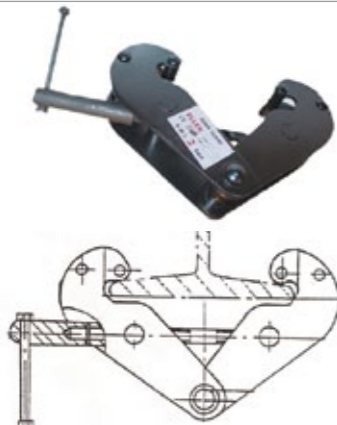


SWL (kg)	Bow/Pin D/d (mm)	a (mm)	C (mm)	r (mm)	Art.nr.
500	6-8	12	25	10	48511-S
500	6-8	12	25	10	48511-B
1000	10-11	16	31	13	48513-S
1000	10-11	16	31	13	48513-B
1500	11-12	18	37	14,5	48515-S
1500	11-12	18	37	14,5	48515-B
2000	13-16	22	43	16	48517-S
2000	13-16	22	43	16	48517-B
3250	16-19	27	51	21,5	48519-S
3250	16-19	27	51	21,5	48519-B

Beam clamps

Beam clamps can be used for lifting beams or as a temporary lifting point in combination with a hoist. A spindle makes it easy to mount it quickly to a beam. Beam clamps make a strong lifting point

Beam clamps



Capacity (kg)	Beam width (mm)	Weight (kg)	Art.nr.
1.000	75-220	10	48531
2.000	75-220	10	48535
3.000	80-320	13	48538

Safety equipment

Safety harness MV-51



complies to norm EN-358/EN-361

- Full safety harness
- Comfortable to wear
- Elastic straps
- Front and rear attachment
- Double adjustment (leg and chest)
- Easy to fit
- Extremely light/ comfortable
- Work position belt
- Abdominal and leg belts with quick locking device
- Available in sizes M / XL / XXL

Safety harness MV-70



complies to norm EN-358/EN-361/EN-813

- Full safety harness
- Comfortable to wear
- Front and rear attachment
- Double adjustment (leg and chest)
- Easy to fit
- Extremely light/ comfortable
- Work position belt
- Seat belt
- Available in sizes M / XL / XXL

Belt MV-70B



- Seat belt
- Work position belt
- Adjustable belt (leg)

Fall arrester MV-210



complies to norm EN-360

- Different lengths
 - Strong durable A.B.S. cases
 - Galvanized with rope
- | Weight (kg) | Length (m) | Art.nr. |
|-------------|------------|---------|
| 5,1 | 6 | 48621 |
| 5,3 | 10 | 48623 |
| 5,9 | 12 | 48625 |
| 6,1 | 15 | 48627 |
| 7,5 | 20 | 48629 |

Rolex mini block



complies to norm EN-360

- Length 2,25 Meter
- Quality webbing
- Complete with shock absorbing protection on block casing
- Complete with upper and lower attachments

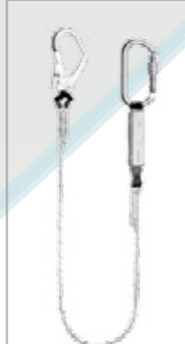
Fall arrest MV-200



complies to norm EN-360

- Energy absorber
- Suitable for lanyards

Lanyard 2 meter



complies to BS EN-354 / EN-355








- On one side a karabiner, other side a scaffold hook
- Complete with shock absorber

Y- Lanyard 2 meter



complies to BS EN-354 / EN-355

- On one side a karabiner, other side scaffold hooks
- Complete with shock absorber

<p>Lanyard 1,5 m elastic complies to BS EN-354 / EN-355</p> <ul style="list-style-type: none"> · On one side a karabiner, other side a scaffold hook · Complete with energy absorber and elastic webbing 	<p>Work position lanyard with eye loop on each end complies tot BS EN-358</p> <ul style="list-style-type: none"> · Rope diameter 10,5 mm · Length 1,5m 
<p>Adjustable lanyard with eye loop on one end complies BS EN-354 / EN-355</p> <ul style="list-style-type: none"> · Rope diameter 10,5 mm · Length 2m 	<p>Rope lanyard with eye loop on each end complies BS EN-353-2</p> <ul style="list-style-type: none"> · Rope diameter 14 mm · Available in: 6 meter 10 meter 12 meter 15 meter 20 meter 25 meter 28 meter 
<p>Vertical rope grap complies BS EN-352-2</p> <ul style="list-style-type: none"> · Easy to use · Strong and reliable · For ropes with a diameter of 14mm 	<p>Tool lanyars</p> <ul style="list-style-type: none"> · Tool lanyard wrist type · Tool lanyard belt type 
<p>Karabiners and attachments complies BS EN-362</p>  <ul style="list-style-type: none"> · Karabiner steel screw lock, gap size 18mm · Scaffold hook, gap size 60mm · Pipe anchor, gap sizes 112 and 160 · Karabiner auto twist lock 	

Desinger Furniture



Catalogue Rack

MultiTruss gives you endless possibilities – and not just in the world of trusses. We have a fine range of high-quality furniture designs at good prices. The right components and a very competent production staff ensure you furniture that is both durable as well as pleasing to the eye.



Truss Table Curve Glass
Art.nr. 4722628



Truss Table Stylish
Art.nr. 4722624



Bar Stool Curve
Art.nr. 4722607



Bar Stool Bistro Adjustable
Art.nr. 472209



Bar Stool Stylish
Art.nr. 4722604



Bar Stool Robust Plywood
Art.nr. 4722600

Bar Stool Robust Solid Wood
Art.nr. 4722601



Braceless Chat Table
Art.nr. 4722626



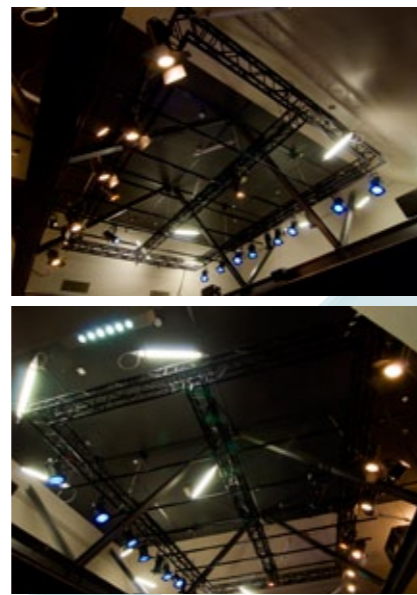
Truss Table Robust
Art . nr. 4722620



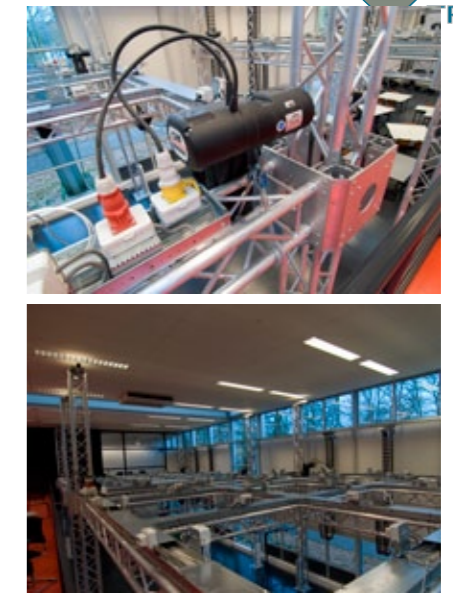
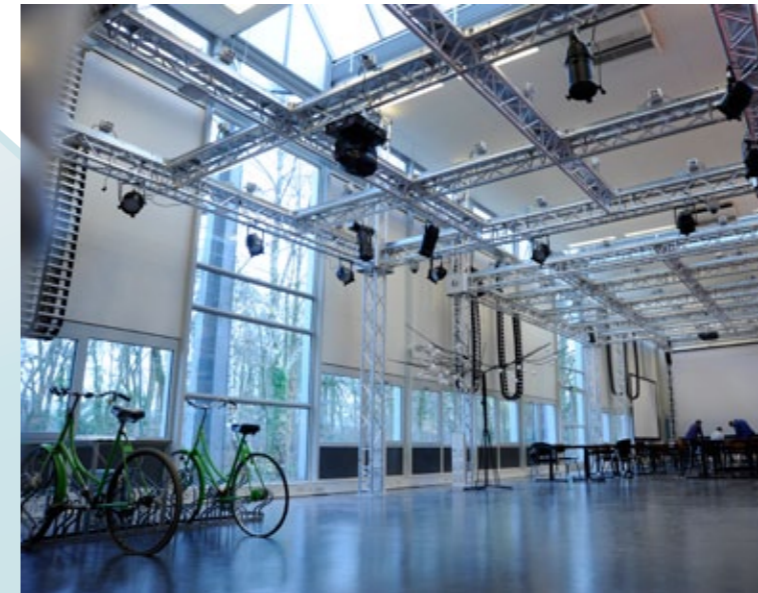
Art.nr. 4720341



Art.nr. 4720321



Theater Parkgebouw - Rijssen in the Netherlands



Fixed installation University of Science Twente - Enschede in the Netherlands



Cultueel Centrum Cascade - Henrik-Ido-Ambacht in the Netherlands



Liftable exhibition in a church - Groenlo in the Netherlands



Open air theatre Caprera - Bloemendal in the Netherlands



car & motortradeshow



Tunnel roof systems



Gabled roof systems





Fixed signing



Climbing wall



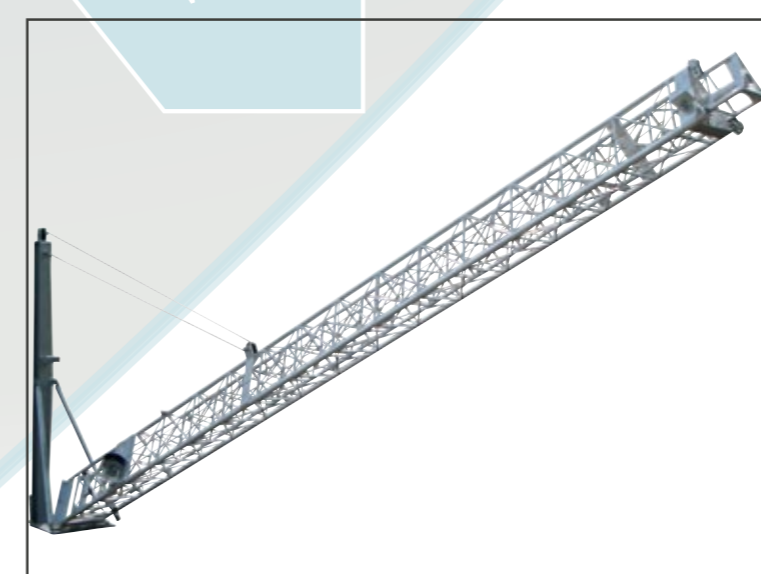
Temporary signing



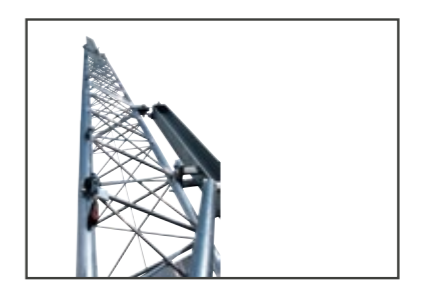
special Construction for maintenance to the roof of Ajax Arena Stadium



Tube construction



Antenna constructions



ABOUT NIJL

NIJL
 CONSTRUCTIONS - NIJLGROUP.COM

MultiTruss is part of the Nijl Group www.nijlgroup.com. This is a specialized Group of NIJL companies that realize complex construction projects. Within this organization people work together on common goals as quality and reliability.

The NIJL group has the following divisions:



NIJL Steel Construction engineers, produces and erects large, complex steel constructions.



NIJL Composites engineers, produces and erects constructions of Fibre Reinforced Plastic.



NIJL Aluminium engineers, produces and erects complex aluminium constructions.



NIJL Aircraft Docking develops, engineers, produces, installs and services special docking systems and stair systems for the aircraft industry.

More and more a combination of materials offers new innovative possibilities. The NIJL divisions cooperate to solve complex construction challenges by choosing the best material or combination of materials.





Bekafun : Prijslijst multitruss 2011

articlecode	discription	price ex. BTW	price incl. BTW
F31			
Lenghts			
mtt-4231050	F31 50cm	€ 39,35	€ 47,62
mtt-4231075	F31 75cm	€ 39,78	€ 48,13
mtt-4231100	F31 100cm	€ 45,55	€ 55,12
mtt-4231150	F31 150cm	€ 51,74	€ 62,61
mtt-4231200	F31 200cm	€ 57,92	€ 70,08
mtt-4231250	F31 250cm	€ 64,12	€ 77,58
mtt-4231300	F31 300cm	€ 70,31	€ 85,07
Corners			
mtt-4231C21	F31 C21 2way 90dgr	€ 45,55	€ 55,12
mtt-4231C30	F31 C30 3way 90dgr	€ 76,25	€ 92,26
mtt-4231C35	F31 C35 3way T-piece	€ 76,25	€ 92,26
F22			
Lenghts			
mtt-4222050	F22 50cm	€ 44,74	€ 54,13
mtt-4222100	F22 100cm	€ 53,21	€ 64,39
mtt-4222150	F22 150cm	€ 64,93	€ 78,57
mtt-4222200	F22 200cm	€ 77,96	€ 94,33
mtt-4222250	F22 250cm	€ 92,07	€ 111,40
mtt-4222300	F22 300cm	€ 101,76	€ 123,12
mtt-4222350	F22 350cm	€ 115,56	€ 139,82
mtt-4222400	F22 400cm	€ 129,22	€ 156,36
mtt-4222450	F22 450CM	€ 164,53	€ 199,08
Corners			
mtt-4222C19H	F22 corner 45 dgr vertical C19	€ 81,12	€ 98,16
mtt-4222C20H	F22 Corner 60dgr Horizontal C20	€ 81,12	€ 98,16
mtt-4222C21H	F22 Corner 90 dgr. C21 Horizontal	€ 62,94	€ 76,16
mtt-4222C21V	F22 corner 90dgr. vertical C21	€ 62,94	€ 76,16
mtt-4222C23H	F22 corner 135dgr horizontal C23	€ 62,94	€ 76,16
mtt-4222C23V	F22 corner 135dgr C23 vertical	€ 62,94	€ 76,16
mtt-4222C31H	F22 corner 3-way C31 Horizontal	€ 90,88	€ 109,97
mtt-4222C31V	F22 corner 3-way C31 vertical	€ 90,88	€ 109,97
mtt-4222C35H	F22 corner 3-way T36 horizontal	€ 90,88	€ 109,97
mtt-4222C35V	F22 corner 3-way T36 vertical	€ 90,88	€ 109,97
mtt-4222C41H	F22 Corner 4-way C41 Horizontal	€ 139,59	€ 168,90
mtt-4222C41V	F22 corner 4-way C41 vertical	€ 139,59	€ 168,90
Baseplate			
mtt-4222910	F22 Baseplate	€ 27,90	€ 33,76
F32			
Lenghts			
mtt-4232050	F32 50cm	€ 56,38	€ 68,22
mtt-4232100	F32 100 cm	€ 67,52	€ 81,70
mtt-4232150	F32 150 cm	€ 81,14	€ 98,18
mtt-4232200	F32 200 cm	€ 96,12	€ 116,30
mtt-4232250	F32 250 cm	€ 113,38	€ 137,19
mtt-4232300	F32 300 cm	€ 128,94	€ 156,02
mtt-4232350	F32 350 cm	€ 143,96	€ 174,19
mtt-4232400	F32 400 cm	€ 169,65	€ 205,28
mtt-4232450	F32 450 cm	€ 186,20	€ 225,30
mtt-4232500	F32 500 cm	€ 202,70	€ 245,27
Corners			
mtt-4232C19H	F32 C19H-L45-45 Corner 100cm	€ 85,31	€ 103,22
mtt-4232C19V	F32 C19V-L45-45 Corner 100cm	€ 85,31	€ 103,22
mtt-4232C20V	F32 C20H-L60-60 Corner 100cm	€ 85,31	€ 103,22
mtt-4232C20H	F32 C20V-L60-60 Corner 100cm	€ 85,31	€ 103,22
mtt-4232C21H	F32 C21H-L90-90 Corner 50cm	€ 71,40	€ 86,40
mtt-4232C21V	F32 C21V-L90-90 Corner 50cm	€ 71,40	€ 86,40
mtt-4232C22H	F32 C22H-L120-120 Corner 50cm	€ 71,40	€ 86,40

articlecode	discription	price ex. BTW	price incl. BTW
mtt-4232C22V	F32 C22V-L120-120 Corner 50cm	€ 71,40	€ 86,40
mtt-4232C23H	F32 C23H-L135-135 Corner 50cm	€ 71,40	€ 86,40
mtt-4232C23V	F32 C23V-L135-135 Corner 50cm	€ 71,40	€ 86,40
mtt-4232C31H	F32 C31H-LD90 dgr. corner +down	€ 98,48	€ 119,16
mtt-4232C31V	F32 C31V-LD90 dgr. corner + down	€ 98,48	€ 119,16
mtt-4232C35H	F32 T35H-T-T-joint	€ 98,48	€ 119,16
mtt-4232C35V	F32 T35V-T-T-joint	€ 98,48	€ 119,16
mtt-4232C42H	F32 T42H-TD-T joint + down	€ 149,72	€ 181,17
mtt-4232C42V	F32 T42V-TD-T joint + down	€ 149,72	€ 181,17
mtt-4232C41H	F32 C41HX-X joint	€ 149,72	€ 181,17
mtt-4232C41V	F32 C41V- X - X joint	€ 149,72	€ 181,17
mtt-4232C55H	F32 C55H-XD-X Piece + Down	€ 196,64	€ 237,93
mtt-4232C55V	F32 C55V-XD-X Piece + Down	€ 196,64	€ 237,93
Baseplate			
mtt-4232910	F32 baseplate	€ 35,32	€ 42,74
F23			
Lengths			
mtt-4223050	F23 50cm	€ 53,12	€ 64,28
mtt-4223100	F23 100cm	€ 92,36	€ 111,76
mtt-4223150	F23 150cm	€ 113,22	€ 136,99
mtt-4223200	F23 200 cm	€ 134,04	€ 162,19
mtt-4223250	F23 250cm	€ 154,89	€ 187,42
mtt-4223300	F23 300cm	€ 175,03	€ 211,78
mtt-4223350	F23 350cm	€ 196,67	€ 237,97
mtt-4223400	F23 400cm	€ 218,77	€ 264,72
mtt-4223450	F23 450cm	€ 254,43	€ 307,86
Corners			
mtt-4223C19	F23 corner C19 45 dgr	€ 122,93	€ 148,75
mtt-4223C20	F23 Coner C20 60dgr	€ 122,93	€ 148,75
mtt-4223C21	F23 corner C21 90 dgr.	€ 84,46	€ 102,19
mtt-4223C22	F23 corner C22 120 dgr	€ 84,46	€ 102,19
mtt-4223C23	F23 corner C23 135 dgr.	€ 84,46	€ 102,19
mtt-4223C24	F23 2-way corner C24 90 dgr	€ 84,46	€ 102,19
mtt-4223C25	F23 2-way corner C25 90dgr	€ 84,46	€ 102,19
mtt-4223C33	F23 3-way corner L33	€ 157,31	€ 190,34
mtt-4223C34	F23 3-way corner L34	€ 157,31	€ 190,34
mtt-4223C31	F23 3-way corner L31	€ 157,31	€ 190,34
mtt-4223C32	F23 3-way corner L32	€ 157,31	€ 190,34
mtt-4223C35	F23 3-way corner T35	€ 157,31	€ 190,34
mtt-4223C36	F23 3-way corner T-36	€ 157,31	€ 190,34
mtt-4223C37	F23 3-way corner T37	€ 157,31	€ 190,34
mtt-4223C38	F23 3-way corner T38	€ 157,31	€ 190,34
mtt-4223C39	F23 3-way corner T39	€ 157,31	€ 190,34
mtt-4223C41	F23 4-way corner C-41	€ 226,06	€ 273,53
mtt-4223C42	F23 4-way corner T42	€ 226,06	€ 273,53
mtt-4223C43	F23 4-way corner T43	€ 226,06	€ 273,53
mtt-4223C44	F23 4-way corner T44	€ 226,06	€ 273,53
mtt-4223C45	F23 4-way corner T45	€ 226,06	€ 273,53
mtt-4223C51	F23 5-way corner T51	€ 284,43	€ 344,16
mtt-4223C52	F23 5-way Corner T52	€ 270,89	€ 327,77
mtt-4223C53	F23 C53 5-way cross down apex up	€ 270,89	€ 327,77
Baseplate			
mtt-4223910	F23 Baseplate	€ 34,54	€ 41,79
F33			
Lengths			
mtt-4233050	F33 50 cm	€ 69,85	€ 84,51
mtt-4233100	F33 100 cm	€ 100,62	€ 121,75
mtt-4233150	F33 150 cm	€ 122,80	€ 148,59
mtt-4233200	F33 200 cm	€ 141,64	€ 171,39

articlecode	discription	price ex. BTW	price incl. BTW
mtt-4233250	F33 250 cm	€ 167,69	€ 202,91
mtt-4233300	F33 300 cm	€ 192,57	€ 233,01
mtt-4233350	F33 350 cm	€ 218,43	€ 264,30
mtt-4233400	F33 400 cm	€ 245,47	€ 297,02
mtt-4233450	F33 450 cm	€ 269,21	€ 325,75
mtt-4233500	F33 500 cm	€ 302,49	€ 366,01
Corners			
mtt-4233C19	F33 C19-L45-45 Corner 100 cm	€ 133,10	€ 161,05
mtt-4233C20	F33 C20-L60-60 Corner 100 cm	€ 133,10	€ 161,05
mtt-4233C21	F33 C21-L90-90 Corner 50 cm	€ 101,42	€ 122,72
mtt-4233C22	F33 C22-L120-120 Corner 50 cm	€ 101,42	€ 122,72
mtt-4233C23	F33 C23-L135-135 Corner 50 cm	€ 101,42	€ 122,72
mtt-4233C25	F33 C25-D90-90 Corner Down	€ 101,42	€ 122,72
mtt-4233C24	F33 C24-D90-90 Corner Up	€ 101,42	€ 122,72
mtt-4233C33	F33 C33-LD-90 Corner + Down	€ 164,79	€ 199,40
mtt-4233C34	F33 C34-LD-90 Corner + Down	€ 164,79	€ 199,40
mtt-4233C31	F33 C31-LU-90 Corner + Up	€ 164,79	€ 199,40
mtt-4233C32	F33 C32-LU-90 Corner + Up	€ 164,79	€ 199,40
mtt-4233C44	F33 C44-LUD-90 Corner + Up + Down Right	€ 196,49	€ 237,75
mtt-4233C45	F33 C45-LUD-90 Corner + Up + Down Left	€ 196,49	€ 237,75
mtt-4233C35	F33 T35-T-T-Joint	€ 164,79	€ 199,40
mtt-4233C36	F33 T36-T-T-joint	€ 164,79	€ 199,40
mtt-4233C37	F33 T37-T-T-Joint	€ 164,79	€ 199,40
mtt-4233C38	F33 T38-T-T-Joint	€ 164,79	€ 199,40
mtt-4233C39	F33 T39-T-T-Joint	€ 164,79	€ 199,40
mtt-4233C42	F33 T42-TD-T-joint + down	€ 196,49	€ 237,75
mtt-4233C43	F33 T43-TU-T-Joint + Up	€ 196,49	€ 237,75
mtt-4233C47	F33 T47 4 way cross piece	€ 196,49	€ 237,75
mtt-4233C51	F33 T51-TU-D-Joint + Up + Down	€ 286,03	€ 346,10
mtt-4233C41	F33 C41-X-X-joint	€ 196,49	€ 237,75
mtt-4233C53	F33 C53-XD-X-joint + down	€ 286,03	€ 346,10
mtt-4233C52	F33 C52-XU-X-Joint + Up	€ 286,03	€ 346,10
mtt-4233C61	F33 C61-XUD-XJoint + Up + Down	€ 319,24	€ 386,28
Baseplate			
mtt-4233910	F33 PLB Base plate with halfconnections	€ 40,32	€ 48,79
F33P			
Lengths			
mtt-4233P050	F33P 50 cm Tube 50x3mm	€ 84,35	€ 102,07
mtt-4233P100	F33P 100 cm Tube 50x3mm	€ 121,54	€ 147,07
mtt-4233P150	F33P 150 cm Tube 50x3mm	€ 148,33	€ 179,48
mtt-4233P200	F33P 200 cm Tube 50x3mm	€ 171,09	€ 207,01
mtt-4233P250	F33P 250 cm Tube 50x3mm	€ 202,54	€ 245,07
mtt-4233P300	F33P 300 cm Tube 50x3mm	€ 232,60	€ 281,45
mtt-4233P350	F33P 350 cm Tube 50x3mm	€ 263,82	€ 319,22
mtt-4233P400	F33P 400 cm Tube 50x3mm	€ 296,49	€ 358,75
mtt-4233P450	F33P 450 cm Tube 50x3mm	€ 325,15	€ 393,43
mtt-4233P500	F33P 500 cm Tube 50x3mm	€ 365,37	€ 442,10
Corners			
mtt-4233PC19	F33P C19-L45-45 Corner 100 cm Tube 50x3mm	€ 160,75	€ 194,51
mtt-4233PC20	F33P C20-L60-60 Corner 100 cm Tube 50x3mm	€ 160,75	€ 194,51
mtt-4233PC21	F33P C21-L90-90 Corner 50 cm Tube 50x3mm	€ 122,49	€ 148,22
mtt-4233PC22	F33P C22-L120-120 Corner 50 cm Tube 50x3mm	€ 122,49	€ 148,22
mtt-4233PC23	F33P C23-L135-135 Corner 50 cm Tube 50x3mm	€ 122,49	€ 148,22
mtt-4233PC25	F33P C25-D90-90 Corner Down Tube 50x3mm	€ 122,49	€ 148,22
mtt-4233PC24	F33P C24-D90-90 Corner Up Tube 50x3mm	€ 122,49	€ 148,22
mtt-4233PC33	F33P C33-LD-90 Corner + Down Tube 50x3mm	€ 199,04	€ 240,83
mtt-4233PC34	F33P C34-LD-90 Corner + Down Tube 50x3mm	€ 199,04	€ 240,83
mtt-4233PC31	F33P C31-LU-90 Corner + Up Tube 50x3mm	€ 199,04	€ 240,83
mtt-4233PC32	F33P C32-LU-90 Corner + Up Tube 50x3mm	€ 199,04	€ 240,83
mtt-4233PC44	F33P C44-LUD-90 Corner + Up + Down Right Tube 50x3mm	€ 237,32	€ 287,16

articlecode	discription	price ex. BTW	price incl. BTW
mtt-4233PC45	F33P C45-LUD-90 Corner + Up + Down Left Tube 50x3mm	€ 237,32	€ 287,16
mtt-4233PC35	F33P T35-T-T-Joint Tube 50x3mm	€ 199,04	€ 240,83
mtt-4233PC36	F33P T36-T-T-joint Tube 50x3mm	€ 199,04	€ 240,83
mtt-4233PC37	F33P T37-T-T-Joint Tube 50x3mm	€ 199,04	€ 240,83
mtt-4233PC38	F33P T38-T-T-Joint Tube 50x3mm	€ 199,04	€ 240,83
mtt-4233PC39	F33P T39-T-T-Joint Tube 50x3mm	€ 199,04	€ 240,83
mtt-4233PC42	F33P T42-TD-T-joint + down Tube 50x3mm	€ 237,32	€ 287,16
mtt-4233PC43	F33P T43-TU-T-Joint + Up Tube 50x3mm	€ 237,32	€ 287,16
mtt-4233PC47	F33P T47 4 way cross piece Tube 50x3mm	€ 237,32	€ 287,16
mtt-4233PC51	F33P T51-TU-D-Joint + Up + Down Tube 50x3mm	€ 345,50	€ 418,05
mtt-4233PC41	F33P C41-X-X-joint Tube 50x3mm	€ 237,32	€ 287,16
mtt-4233PC53	F33P C53-XD-X-joint + down Tube 50x3mm	€ 345,50	€ 418,05
mtt-4233PC52	F33P C52-XU-X-Joint + Up Tube 50x3mm	€ 345,50	€ 418,05
mtt-4233PC61	F33P C61-XUD-XJoint + Up + Down Tube 50x3mm	€ 385,60	€ 466,57
Baseplate			
mtt-4233910	F33 PLB Base plate with halfconnections	€ 40,32	€ 48,79
F43			
Lengths			
mtt-4243050	F43 50 cm	€ 109,10	€ 132,01
mtt-4243100	F43 100cm	€ 138,41	€ 167,47
mtt-4243150	F43 150 cm	€ 164,78	€ 199,39
mtt-4243200	F43 200cm	€ 190,48	€ 230,48
mtt-4243250	F43 250cm	€ 217,98	€ 263,76
mtt-4243300	F43 300cm	€ 246,61	€ 298,40
mtt-4243350	F43 350cm	€ 281,10	€ 340,13
mtt-4243400	F43 400cm	€ 314,46	€ 380,50
mtt-4243450	F43 450cm	€ 343,54	€ 415,68
mtt-4243500	F43 500cm	€ 377,13	€ 456,32
Corners			
mtt-4243C19	F43 C19-L45-45 dgr. Corner 100cm	€ 162,66	€ 196,82
mtt-4243C20	F43 C20-L60-60 dgr. Corner 100cm	€ 162,66	€ 196,82
mtt-4243C21	F43 C21-L90-90 dgr. Corner 50cm	€ 126,78	€ 153,40
mtt-4243C22	F43 C22-L120-120 dgr. Corner 50cm	€ 126,78	€ 153,40
mtt-4243C23	F43 C23-L135-135 dgr. Corner 50cm	€ 126,78	€ 153,40
mtt-4243C24	F43 C24-D90-90 dgr. Corner Up	€ 126,78	€ 153,40
mtt-4243C25	F43 C25-D90-90 dgr. Corner down	€ 126,78	€ 153,40
mtt-4243C33	F43 C33-LD90 corner + down	€ 205,99	€ 249,25
mtt-4243C34	F43 C34-LD90 dgr Corner + Down	€ 205,99	€ 249,25
mtt-4243C31	F43 C31-LU90 dgr. Corner + Up	€ 205,99	€ 249,25
mtt-4243C32	F43 C32-LU90dgr Corner + Up	€ 205,99	€ 249,25
mtt-4243C44	F43 C44-LUD90 dgr. Corner + Up + Down	€ 245,62	€ 297,20
mtt-4243C45	F43 C45-LUD90 dgr. Corner + Up + Down	€ 245,62	€ 297,20
mtt-4243C35	F43 T35-T-TJoint	€ 205,99	€ 249,25
mtt-4243C36	F43 T36-T-T-joint	€ 205,99	€ 249,25
mtt-4243C42	F43 T42-TD-T joint+down	€ 245,62	€ 297,20
mtt-4243C43	F43 T43-TU-T joint + up	€ 245,62	€ 297,20
mtt-4243C51	F43 T51-TUD-T joint+up+down	€ 357,54	€ 432,62
mtt-4243C41	F43 C41-X-X-joint	€ 245,62	€ 297,20
mtt-4243C53	F43 C53-XD-X Joint + down	€ 357,54	€ 432,62
mtt-4243C52	F43 C52-XU-X joint + Up	€ 357,54	€ 432,62
mtt-4243C61	F43 C61XUD-X joint+ up+down	€ 399,06	€ 482,86
baseplate			
mtt-4243910	F43 PLB Base plate	€ 56,49	€ 68,35
F43P			
Lengths			
mtt-4243P050	F43P 50 cm Tube 50x3mm	€ 134,42	€ 162,64
mtt-4243P100	F43P 100 cm Tube 50x3mm	€ 170,52	€ 206,33
mtt-4243P150	F43P 150 cm Tube 50x3mm	€ 203,01	€ 245,64
mtt-4243P200	F43P 200 cm Tube 50x3mm	€ 234,67	€ 283,95

articlecode	discription	price ex. BTW	price incl. BTW
mtt-4243P250	F43P 250 cm Tube 50x3mm	€ 268,55	€ 324,95
mtt-4243P300	F43P 300 cm Tube 50x3mm	€ 303,82	€ 367,63
mtt-4243P350	F43P 350 cm Tube 50x3mm	€ 346,31	€ 419,04
mtt-4243P400	F43P 400 cm Tube 50x3mm	€ 387,42	€ 468,77
mtt-4243P450	F43P 450 cm Tube 50x3mm	€ 423,24	€ 512,12
mtt-4243P500	F43P 500 cm Tube 50x3mm	€ 464,62	€ 562,19
Corners			
mtt-4243PC19	F43P C19-L45-45 Corner 100 cm Tube 50x3mm	€ 200,40	€ 242,49
mtt-4243PC20	F43P C20-L60-60 Corner 100 cm Tube 50x3mm	€ 200,40	€ 242,49
mtt-4243PC21	F43P C21-L90-90 Corner 50 cm Tube 50x3mm	€ 156,19	€ 188,99
mtt-4243PC22	F43P C22-L120-120 Corner 50 cm Tube 50x3mm	€ 156,19	€ 188,99
mtt-4243PC23	F43P C23-L135-135 Corner 50 cm Tube 50x3mm	€ 156,19	€ 188,99
mtt-4243PC25	F43P C24-D90-90 Corner Up Tube 50x3mm	€ 156,19	€ 188,99
mtt-4243PC24	F43P C25-D90-90 Corner Down Tube 50x3mm	€ 156,19	€ 188,99
mtt-4243PC33	F43P C33-LD-90 Corner + Down Tube 50x3mm	€ 253,78	€ 307,07
mtt-4243PC34	F43P C34-LD-90 Corner + Down Tube 50x3mm	€ 253,78	€ 307,07
mtt-4243PC31	F43P C31-LU-90 Corner + Up Tube 50x3mm	€ 253,78	€ 307,07
mtt-4243PC32	F43P C32-LU-90 Corner + Up Tube 50x3mm	€ 253,78	€ 307,07
mtt-4243PC44	F43P C44-LUD-90 Corner + Up + Down Right Tube 50x3mm	€ 302,60	€ 366,15
mtt-4243PC45	F43P C45-LUD-90 Corner + Up + Down Left Tube 50x3mm	€ 302,60	€ 366,15
mtt-4243PC35	F43P T35-T-T-Joint Tube 50x3mm	€ 253,78	€ 307,07
mtt-4243PC36	F43P T36-T-T-joint Tube 50x3mm	€ 253,78	€ 307,07
mtt-4243PC42	F43P T42-TD-T-joint + down Tube 50x3mm	€ 302,60	€ 366,15
mtt-4243PC43	F43P T43-TU-T-Joint + Up Tube 50x3mm	€ 302,60	€ 366,15
mtt-4243PC51	F43P T51-TU-D-Joint + Up + Down Tube 50x3mm	€ 440,49	€ 532,99
mtt-4243PC41	F43P C41-X-X-joint Tube 50x3mm	€ 302,60	€ 366,15
mtt-4243PC53	F43P C53-XD-X-joint + down Tube 50x3mm	€ 440,49	€ 532,99
mtt-4243PC52	F43P C52-XU-X-Joint + Up Tube 50x3mm	€ 440,49	€ 532,99
mtt-4243PC61	F43P C61-XUD-XJoint + Up + Down Tube 50x3mm	€ 491,64	€ 594,89
Baseplate			
mtt-4243910	F43 PLB Base plate with halfconnections	€ 56,49	€ 68,35
F24			
Lengths			
mtt-4224050	F24 50cm	€ 84,97	€ 102,82
mtt-4224100	F24 100cm	€ 119,58	€ 144,69
mtt-4224150	F24 150cm	€ 147,31	€ 178,25
mtt-4224200	F24 200cm	€ 173,75	€ 210,24
mtt-4224250	F24 250cm	€ 201,46	€ 243,76
mtt-4224300	F24 300cm	€ 227,90	€ 275,76
mtt-4224350	F24 350cm	€ 276,98	€ 335,15
mtt-4223400	F24 400cm	€ 302,17	€ 365,62
Corners			
mtt-4224C19	F24 2-way corner 45° C19	€ 176,20	€ 213,21
mtt-4224C20	F24 2-way corner 60° C20	€ 176,20	€ 213,21
mtt-4224C21	F24 corner 90 dgr C21	€ 122,74	€ 148,51
mtt-4224C22	F24 2-way corner 120° C22	€ 122,74	€ 148,51
mtt-4224C23	F24 2-way corner 135° C23	€ 122,74	€ 148,51
mtt-4224C30	F24 3-way Corner L30	€ 208,39	€ 252,15
mtt-4224C35	F24 3-way corner L35	€ 208,39	€ 252,15
mtt-4224C40	F24 4-way corner L40	€ 300,23	€ 363,28
mtt-4224C41	F24 4-way corner L41	€ 300,23	€ 363,28
mtt-4224C55	F24 5-way corner C55-XD-X joint + Down	€ 402,14	€ 486,59
mtt-4224C61	F24 6-way cross piece C61	€ 430,35	€ 520,73
mtt-4224930	F24 Boxcorner incl 8 half connical connectors	€ 189,75	€ 229,60
Baseplate			
mtt-4224910	F24 Baseplate	€ 46,21	€ 55,92
F34			
Lengths			

articlecode	discription	price ex. BTW	price incl. BTW
mtt-4234050	F34 50 cm	€ 115,26	€ 139,46
mtt-4234100	F34 100 cm	€ 132,59	€ 160,43
mtt-4234150	F34 150 cm	€ 163,26	€ 197,54
mtt-4234200	F34 200 cm	€ 192,85	€ 233,35
mtt-4234250	F34 250 cm	€ 223,02	€ 269,86
mtt-4234300	F34 300 cm	€ 253,00	€ 306,13
mtt-4234350	F34 350 cm	€ 282,60	€ 341,94
mtt-4234400	F34 400 cm	€ 319,43	€ 386,50
mtt-4234450	F34 450 cm	€ 342,74	€ 414,72
mtt-4234500	F34 500 cm	€ 373,70	€ 452,18
Corners			
mtt-4234C23	F34 C23-L135-135 dgr Corner 50 cm	€ 147,62	€ 178,62
mtt-4234C30	F34 C30-LD-90 Grad Corner + Down	€ 221,40	€ 267,89
mtt-4234C35	F34 T35-T-T Joint	€ 221,40	€ 267,89
mtt-4234C40	F34 T40-TD-T Joint + Down	€ 295,22	€ 357,22
mtt-4234C41	F34 C41-X-X joint	€ 295,22	€ 357,22
mtt-4234C55	F34 C55-XD-X joint + Down	€ 356,71	€ 431,62
mtt-4234C61	F34 T61 6-way cross piece	€ 388,24	€ 469,77
mtt-4234C12	F34 boxcorner incl 8 male connectors new	€ 308,88	€ 373,74
mtt-4234932	F34 various corner (steel) 0-180 dgr.	€ 351,12	€ 424,86
Baseplate			
mtt-4234910	F34 BLB Baseplate with half connections	€ 45,95	€ 55,59
F34P			
Lengths			
mtt-4234P050	F34P 50cm Tube 50x3mm	€ 142,00	€ 171,82
mtt-4234P100	F34P 100cm Tube 50x3mm	€ 163,35	€ 197,65
mtt-4234P150	F34P 150cm Tube 50x3mm	€ 201,13	€ 243,37
mtt-4234P200	F34P 200cm Tube 50x3mm	€ 237,60	€ 287,49
mtt-4234P250	F34P 250cm Tube 50x3mm	€ 274,76	€ 332,46
mtt-4234P300	F34P 300cm Tube 50x3mm	€ 311,70	€ 377,15
mtt-4234P350	F34P 350cm Tube 50x3mm	€ 348,16	€ 421,27
mtt-4234P400	F34P 400cm Tube 50x3mm	€ 393,53	€ 476,17
mtt-4234P450	F34P 450cm Tube 50x3mm	€ 422,26	€ 510,94
mtt-4234P500	F34P 500cm Tube 50x3mm	€ 460,40	€ 557,08
Corners			
mtt-4234PC19	F34P C19-L45-45 dgr Corner 100 cm Tube 50x3mm	€ 219,75	€ 265,89
mtt-4234PC20	F34P C20-L60-60 dgr Corner 100 cm Tube 50x3mm	€ 204,57	€ 247,53
mtt-4234PC21	F34P C21-L90-90 dgr Corner 50 cm Tube 50x3mm	€ 181,87	€ 220,07
mtt-4234PC22	F34P C22-L120-120 dgr Corner 50 cm Tube 50x3mm	€ 181,87	€ 220,07
mtt-4234PC23	F34P C23-L135-135 dgr Corner 50 cm Tube 50x3mm	€ 181,87	€ 220,07
mtt-4234PC30	F34P C30-LD-90 Grad Corner + Down Tube 50x3mm	€ 272,76	€ 330,04
mtt-4234PC35	F34P T35-T-T Joint Tube 50x3mm	€ 272,76	€ 330,04
mtt-4234PC40	F34P T40-TD-T Joint + Down Tube 50x3mm	€ 363,72	€ 440,10
mtt-4234PC41	F34P C41-X-X joint Tube 50x3mm	€ 363,72	€ 440,10
mtt-4234PC55	F34P C55-XD-X joint + Down Tube 50x3mm	€ 439,46	€ 531,75
mtt-4234PC61	F34P T61 6-way cross piece Tube 50x3mm	€ 478,31	€ 578,75
Baseplate			
mtt-4234910	F34 BLB Baseplate with half connections	€ 45,95	€ 55,60
F44			
Lengths			
mtt-4244050	F44 50cm	€ 160,95	€ 194,75
mtt-4244100	F44 100cm	€ 185,97	€ 225,03
mtt-4244150	F44 150cm	€ 222,94	€ 269,76
mtt-4244200	F44 200cm	€ 264,64	€ 320,22
mtt-4244250	F44 250cm	€ 295,75	€ 357,86
mtt-4244300	F44 300cm	€ 330,47	€ 399,86
mtt-4244350	F44 350cm	€ 363,38	€ 439,69
mtt-4244400	F44 400cm	€ 393,81	€ 476,51

articlecode	discription	price ex. BTW	price incl. BTW
mtt-4244450	F44 450cm	€ 433,48	€ 524,51
mtt-4244500	F44 500cm	€ 473,61	€ 573,06
Corners			
mtt-4244C19	F44 C19-L45-45 dgr Corner 100 cm	€ 228,15	€ 276,06
mtt-4244C20	F44 C20-L60-60 dgr Corner 100 cm	€ 215,64	€ 260,92
mtt-4244C21	F44 C21-L90-90 dgr. Corner 50cm	€ 188,81	€ 228,46
mtt-4244C22	F44 C22-L120-120 dgr Corner 50 cm	€ 188,81	€ 228,46
mtt-4244C23	F44 C23-L135-135 dgr Corner 50 cm	€ 188,81	€ 228,46
mtt-4244C30	F44 C30-LU-90 dgr. Corner + Up	€ 270,98	€ 327,88
mtt-4244C35	F44 T35-T-T joint	€ 270,98	€ 327,88
mtt-4244C40	F44 T40-TD-T joint +down	€ 343,77	€ 415,96
mtt-4244C41	F44 C41-X-X	€ 343,77	€ 415,96
mtt-4244C55	F44 C55-TUD-T joint + up + down	€ 421,65	€ 510,19
mtt-4244C61	F44 T61 6-way cross piece	€ 496,28	€ 600,50
mtt-4244C12	F44 boxcorner incl. 8 connectors	€ 430,78	€ 521,24
Baseplate			
mtt-4244910	F44 PLB Baseplate	€ 58,81	€ 71,16 € 0,00
F44P			
Lengths			
mtt-4244P050	F44P 50cm	€ 198,29	€ 239,93
mtt-4244P100	F44P 100 cm	€ 229,12	€ 277,24
mtt-4244P150	F44P 150 cm	€ 274,66	€ 332,34
mtt-4244P200	F44P 200cm	€ 326,04	€ 394,51
mtt-4244P250	F44P 250 cm	€ 364,36	€ 440,87
mtt-4244P300	F44P 300 cm	€ 407,13	€ 492,63
mtt-4244P350	F44P 350 cm	€ 447,67	€ 541,69
mtt-4244P400	F44P 400 cm	€ 485,16	€ 587,04
mtt-4244P450	F44P 450 cm	€ 534,05	€ 646,20
mtt-4244P500	F44P 500 cm	€ 583,47	€ 706,00
Corners			
mtt-4244PC19	F44P C19-L45-45 dgr Corner 100 cm Tube 50x3mm	€ 281,07	€ 340,10
mtt-4244PC20	F44P C20-L60-60 dgr Corner 100 cm Tube 50x3mm	€ 265,66	€ 321,45
mtt-4244PC21	F44P C21-L90-90 dgr Corner 50 cm Tube 50x3mm	€ 232,63	€ 281,48
mtt-4244PC22	F44P C22-L120-120 dgr Corner 50 cm Tube 50x3mm	€ 232,63	€ 281,48
mtt-4244PC23	F44P C23-L135-135 dgr Corner 50 cm Tube 50x3mm	€ 232,63	€ 281,48
mtt-4244PC30	F44P C30-LD-90 Grad Corner + Down Tube 50x3mm	€ 333,85	€ 403,96
mtt-4244PC35	F44P T35-T-T Joint Tube 50x3mm	€ 333,85	€ 403,96
mtt-4244PC40	F44P T40-TD-T Joint + Down Tube 50x3mm	€ 423,53	€ 512,47
mtt-4244PC41	F44P C41-X-X joint Tube 50x3mm	€ 423,53	€ 512,47
mtt-4244PC55	F44P C55-XD-X joint + Down Tube 50x3mm	€ 519,47	€ 628,55
mtt-4244PC61	F44P T61 6-way cross piece Tube 50x3mm	€ 611,42	€ 739,82
Baseplate			
mtt-4244910	F34 BLB Baseplate with half connections	€ 58,81	€ 71,16
F54R			
Lengths			
mtt-4254R050	F54R 50cm	€ 247,67	€ 299,68
mtt-4254R100	F54R 100cm	€ 383,32	€ 463,81
mtt-4254R150	F54R 150cm	€ 434,53	€ 525,78
mtt-4254R200	F54R 200cm	€ 506,80	€ 613,22
mtt-4254R300	F54R 300cm	€ 639,38	€ 773,65
mtt-4254R350	F54R 350cm	€ 752,67	€ 910,73
mtt-4254R400	F54R 400cm	€ 814,75	€ 985,84
mtt-4254R450	F54R 450cm	€ 923,38	€ 1.117,28
mtt-4254R500	F54R 500cm	€ 1.001,28	€ 1.211,55
Corners			
mtt-4254RC10	F54R boxcorner	€ 1.227,91	€ 1.485,77
mtt-4254RC21	F54R C21 2way 90dgr	€ 777,54	€ 940,82

articlecode	discription	price ex. BTW	price incl. BTW
F52F			
Lengths			
mtt-4252F060	F52F Folding Truss 0.6 meter	€ 466,67	€ 564,67
mtt-4252F080	F52F Folding Truss 0.8 meter	€ 482,94	€ 584,36
mtt-4252F120	F52F Folding Truss 1.2 meter	€ 494,20	€ 597,98
mtt-4252F160	F52F Folding Truss 1.6 meter	€ 803,72	€ 972,50
mtt-4252F240	F52F Folding Truss 2,4 meter	€ 936,00	€ 1.132,56
Corners			
mtt-4252FC21	F52F C21 90dgr corner	€ 549,51	€ 664,91
mtt-4252FC35	F525F T35 T-Piece	€ 785,94	€ 950,99
mtt-4252FC41	F52F C41 Crosspiece	€ 980,82	€ 1.186,80
Circles			
Circles F31			
mtt-4331010-01	F31 Circle 1m 1 part	€ 110,67	€ 133,91
mtt-4331010-02	F31 Circle 1m 2 parts	€ 246,64	€ 298,43
mtt-4331015-01	F31 Circle 1,5m 1 part	€ 132,80	€ 160,69
mtt-4331015-02	F31 Circle 1,5m 2 parts	€ 278,26	€ 336,69
mtt-4331010-01	F31 Circle 1m 1 part	€ 110,67	€ 133,91
mtt-4331010-02	F31 Circle 1m 2 parts	€ 246,64	€ 298,43
mtt-4331015-01	F31 Circle 1,5m 1 part	€ 132,80	€ 160,69
mtt-4331015-02	F31 Circle 1,5m 2 parts	€ 278,26	€ 336,69
mtt-4331030-02	F31 Circle 3m 2 parts	€ 338,33	€ 409,38
mtt-4331050-04	F31 Circle 5m 4 parts	€ 566,00	€ 684,86
mtt-4331070-06	F31 Circle 7m 6 parts	€ 858,54	€ 1.038,84
Circles F32			
mtt-4332015-01H	F32 circle 1,5m 1part	€ 379,73	€ 459,47
mtt-4332015-01V	F32 Circle 1,5m 1 part	€ 432,18	€ 522,94
mtt-4332015-02H	F32 Circle 150cm 2 parts	€ 552,34	€ 668,33
mtt-4332015-02V	F32 Circle 1,5m 2 parts	€ 672,50	€ 813,72
mtt-4332020-2V	F32 Circle 2m 2 parts	€ 739,40	€ 894,67
mtt-4332030-2V	F32 Circle 3m 2 parts	€ 895,64	€ 1.083,73
mtt-4332040-4V	F32 Circle 4m 4 parts	€ 1.296,83	€ 1.569,16
mtt-4332050-4V	F32 Circle 5m 4 parts	€ 1.379,96	€ 1.669,75
mtt-4332060-6H	F32 Circle 6m 6parts	€ 1.672,07	€ 2.023,20
mtt-4332060-6V	F32 Circle 6m 6 parts	€ 1.672,07	€ 2.023,20
mtt-4332070-6V	F32 Circle 7m 6 parts	€ 1.759,59	€ 2.129,11
mtt-4332080-8V	F32 Circle 8m 8 parts	€ 2.049,01	€ 2.479,30
mtt-4332090-8V	F32 Circle 9m 8 parts	€ 2.131,19	€ 2.578,74
mtt-4332100-10V	F32 Circle 10m 10 parts	€ 2.495,48	€ 3.019,53
mtt-4332110-10V	F32 Circle 11m 10 parts	€ 2.579,05	€ 3.120,65
mtt-4332120-12V	F32 Circle 12m 12 parts	€ 2.943,79	€ 3.561,99
mtt-4332130-12V	F32 Circle 13m 12 parts	€ 3.027,15	€ 3.662,85
mtt-4332140-12V	F32 Circle 14m 12 parts	€ 3.183,79	€ 3.852,38
mtt-4332150-12V	F32 Circle 15m 12 parts	€ 3.225,21	€ 3.902,50
mtt-4332160-14V	F32 Circle 16m 14 parts	€ 3.667,70	€ 4.437,91
Circles F33			
mtt-4333015-01	F33 Circle 1,5m 1 part	€ 799,41	€ 967,29
mtt-4333020-02	F33 Circle 2m 2 parts	€ 1.126,81	€ 1.363,45
mtt-4333030-02	F33 Circle 3m 2 parts	€ 1.246,24	€ 1.507,95
mtt-4333030-04	F33 Circle 3m 4 parts	€ 1.506,06	€ 1.822,33
mtt-4333035-04	F33 Circle 3,5m 4 parts	€ 1.655,29	€ 2.002,90
mtt-4333040-04	F33 Circle 4m 4 parts	€ 1.789,89	€ 2.165,76
mtt-4333050-04	F33 Circle 5m 4 parts	€ 1.894,20	€ 2.291,98
mtt-4333050-08	F33 Circle 5m 8 parts	€ 2.425,42	€ 2.934,75
mtt-4333060-06	F33 Circle 6m 6 parts	€ 2.324,82	€ 2.813,04
mtt-4333060-08	Cirkel F33 6mtr 8 parts	€ 2.590,02	€ 3.133,93
mtt-4333070-06	F33 Circle 7m 6 parts	€ 2.510,69	€ 3.037,93
mtt-4333080-08	F33 Circle 8m 8 parts	€ 2.819,62	€ 3.411,74
mtt-4333090-08	F33 Circle 9m 8 parts	€ 2.987,46	€ 3.614,82

articlecode	discription	price ex. BTW	price incl. BTW
mtt-4333100-10	F33 Circle 10m 10 parts	€ 4.453,01	€ 5.388,15
mtt-4333110-10	F33 Circle 11m 10 parts	€ 4.630,87	€ 5.603,35
mtt-4333120-12	F33 Circle 12m 12 parts	€ 5.174,10	€ 6.260,66
mtt-4333130-12	F33 Circle 13m 12 parts	€ 5.344,29	€ 6.466,59
mtt-4333140-12	F33 Circle 14m 12 parts	€ 5.533,88	€ 6.695,99
mtt-4333150-12	F33 Circle 15m 12 parts	€ 5.714,81	€ 6.914,91
mtt-4333160-14	F33 Circle 16m 14 parts	€ 6.217,67	€ 7.523,37
mtt-4333200-16	F33 Circle 20m 16 parts	€ 6.569,37	€ 7.948,94
mtt-4333200-20	F33 Circle 20m 20 parts	€ 6.988,14	€ 8.455,65
	F33 Price per cutting less/more	€ 132,80	€ 160,69
Circles F34			
mtt-4334015-01	F34 Circle 1,5m 2 parts	€ 823,29	€ 996,18
mtt-4334020-02	F34 Circle 2m 2 parts	€ 1.150,46	€ 1.392,05
mtt-4334020-04	F34 Circle 2m (4 parts)	€ 1.485,73	€ 1.797,74
mtt-4334025-02	F34 Circle 2,5m 2 parts	€ 1.359,66	€ 1.645,19
mtt-4334030-04	F34 Circle 3m 4 parts	€ 1.707,57	€ 2.066,16
mtt-4334040-04	F34 Circle 4m 4 parts	€ 1.929,33	€ 2.334,49
mtt-4334050-04	F34 Circle 5m 4 parts	€ 2.202,81	€ 2.665,40
mtt-4334050-08	F34 Circle 5 meter (8 parts)	€ 2.873,16	€ 3.476,52
mtt-4334060-06	F34 Circle 6m 6 parts	€ 2.545,53	€ 3.080,09
mtt-4334060-08	F34 Circle 6m 8 parts	€ 2.527,09	€ 3.057,78
mtt-4334070-06	F34 Circle 7m 6 parts	€ 2.759,07	€ 3.338,47
mtt-4334080-08	F34 Circle 8m 8 parts	€ 3.185,37	€ 3.854,30
mtt-4334086-08	F34 Circle 8,58m 8 parts	€ 3.469,95	€ 4.198,64
mtt-4334090-08	F34 Circle 9m 8 parts	€ 3.384,86	€ 4.095,68
mtt-4334100-10	F34 Circle 10m 10 parts	€ 4.947,33	€ 5.986,26
mtt-4334110-10	F34 Circle 11m 10 parts	€ 5.150,55	€ 6.232,17
mtt-4334120-12	F34 Circle 12m 12 parts	€ 5.729,14	€ 6.932,25
mtt-4334130-12	F34 Circle 13m 12 parts	€ 5.931,97	€ 7.177,69
mtt-4334140-12	F34 Circle 14m 12 parts	€ 6.136,09	€ 7.424,66
mtt-4334150-12	F34 Circle 15m 12 parts	€ 6.226,96	€ 7.534,62
mtt-4334160-14	F34 Circle 16m 14 parts	€ 6.988,65	€ 8.456,27
mtt-4334200-16	F34 Circle 20m 16 parts	€ 8.236,06	€ 9.965,63
mtt-4334200-20	F34 Circle 20m 20 parts	€ 8.654,62	€ 10.472,09
	F34 Price per cutting less/more	€ 167,59	€ 202,78
Circles F34P			
mtt-4334P060-06	F34P Circle 6m 6 parts	€ 3.143,75	€ 3.803,94
mtt-4334P060-08	F34P Circle 6m 8 parts	€ 3.478,92	€ 4.209,50
mtt-4334P070-06	F34P Circle 7m 6 parts	€ 3.413,50	€ 4.130,34
mtt-4334P080-08	F34P Circle 8m 8 parts	€ 3.950,29	€ 4.779,85
mtt-4334P120-12	F34P Circle 12m 12 parts	€ 5.900,17	€ 7.139,21
mtt-4334P150-12	F34P Circle 15m 12 parts	€ 5.998,63	€ 7.258,34
	F34 Price per cutting less/more	€ 167,59	€ 202,78
Circles F43			
mtt-4343060-06	F43 Circle 6m 6 parts	€ 2.682,46	€ 3.245,77
Circles F44			
mtt-4344020-04	F44 Circle 2m 4parts	€ 1.634,75	€ 1.978,05
mtt-4344070-06	F44 Circle 7m 6parts	€ 3.740,65	€ 4.526,18
mtt-4344100-10	F44 Circle 10m 10parts	€ 4.497,66	€ 5.442,17
mtt-4344110-10	F44 Circle 11m 10parts	€ 5.296,35	€ 6.408,58
mtt-4344120-12	F44 Circle 12m 12parts	€ 5.837,11	€ 7.062,91
mtt-4344150-12	F44 Circle 15m 12parts	€ 6.494,91	€ 7.858,84
mtt-4344200-16	F44 Circle 20m 16parts	€ 8.335,79	€ 10.086,30
mtt-4344200-20	F44 Circle 20m 20 parts	€ 9.581,90	€ 11.594,10
Circles F44P			
mtt-4344P100-10	F44P Circle 10m 10parts	€ 5.029,70	€ 6.085,94
mtt-4344P150-12	F44P Circle 15m 12parts	€ 6.803,24	€ 8.231,92
mtt-4344P200-16	F44P Circle 20m 16parts	€ 9.412,01	€ 11.388,53
mtt-4344P200-20	F44P Circle 20m 20 parts	€ 10.868,97	

articlecode	discription	price ex. BTW	price incl. BTW
Accessoires Connectors			
mtt-4510010	Conical Connector (F32-F44)	€ 6,33	€ 7,65
mtt-4510042	Conical connection global-prol	€ 6,33	€ 7,65
mtt-4510038	Connical connector to connect F32 & F34	€ 10,29	€ 12,45
mtt-4510040	Half conical connector / M10 F32-F44	€ 6,52	€ 7,89
mtt-4510012	Half conical connector for dice	€ 6,53	€ 7,90
mtt-4510014	Steel pin incl. R-spring F32-F44	€ 1,94	€ 2,34
mtt-4510016	R-clip	€ 0,11	€ 0,13
mtt-4510018	Steel pin with quickrelease F32-F44	€ 2,55	€ 3,09
mtt-4510110	Steel pin with thread M8	€ 2,02	€ 2,44
mtt-4511035	Connection dice 50mm M10	€ 26,36	€ 31,90
mtt-4510120	End Cap male F32-F44	€ 11,16	€ 13,51
mtt-4510044	Halfconnector for Sleeve	€ 8,26	€ 10,00
mtt-4510048	Connical connector F22-23-24	€ 4,06	€ 4,91
mtt-4510002	Halfconical connector M8 F22-F24	€ 3,94	€ 4,77
mtt-4510052	Steelpin incl. R-spring F22-23-24 spigot	€ 1,74	€ 2,10
mtt-4510004	Connical connector for F52F	€ 14,03	€ 16,98
mtt-4510064	Steel pin & R-clip for F52F	€ 3,66	€ 4,43
mtt-4510060	Half connical connector F52F	€ 14,20	€ 17,18
mtt-4510032	Spec halfconnectors male for Boxcorner	€ 8,26	€ 10,00
T.b.a.	F44-34 hinge set (4 pieces)	€ 183,24	€ 221,72
Clamps			
mtt-4550126	Slip clamp tube 48-50mm M10 with connical halfconnector	€ 13,98	€ 16,91
mtt-4550146	Halfcoupler tube 48-51mm M10 load 500Kg with TV-TAP	€ 16,07	€ 19,45
mtt-4550910	Spigot with M10 thread (TV-TAP)	€ 4,28	€ 5,18
mtt-4550110	Halfcoupler tube 49-51mm Little ld 100Kg	€ 5,61	€ 6,79
mtt-4550114	Halfcoupler 49-51mm Little load 100kg Quick	€ 0,00	€ 0,00
mtt-4535114	Halfcoupler tube 32-35mm with liftingeye	€ 15,20	€ 18,39
mtt-4550134	Halfcoupler with lifting eye tube 48-51	€ 15,46	€ 18,71
mtt-4550138	Halfcoupler 49-51 mm with half connector	€ 17,53	€ 21,21
mtt-4550142	Halfcoupler with female connector tube 49-51mm	€ 20,61	€ 24,93
mtt-4550130	Halfcoupler tube 49-51 mm Load 500Kg M10	€ 12,08	€ 14,62
mtt-4550120	Halfcoupler tube 49-51mm small M10	€ 9,89	€ 11,97
mtt-4535110	Halfcoupler tube 32-35mm	€ 7,15	€ 8,65
mtt-4550150	Swivelcoupler tube 49-51mm Load 500Kg	€ 22,95	€ 27,77
mtt-4535118	Swivelcoupler tube 32-35mm	€ 14,17	€ 17,15
mtt-4550906	Truss adap F34 eye nut M12 incl halfcop	€ 55,08	€ 66,65
mtt-4550904	Coupler for crank stand	€ 41,15	€ 49,79
mtt-4550310	Claw Clamp	€ 18,71	€ 22,64
mtt-4450010	Clamp CL-075 with spring	€ 5,41	€ 6,55
mtt-4550920	Uni-plate fittingclamp 6-10mm light duty	€ 6,13	€ 7,41
mtt-4550922	Uni-plate fittingclamp10-16mm heavy duty	€ 6,13	€ 7,41
mtt-4550007	Clamp JL-221S	€ 2,55	€ 3,08
mtt-4550210	Quickcoupler 51mm	€ 14,78	€ 17,89
mtt-4550211	Quickcoupler 51mm black	€ 14,78	€ 17,89
mtt-4550220	Special clamp	€ 9,18	€ 11,10
Spacers			
mtt-4511002	Spacer 2mm male F32-F44	€ 15,82	€ 19,14
mtt-4511010	Spacer 10mm male F32-F44	€ 19,78	€ 23,93
mtt-4511020	Spacer 20mm male F32-F44	€ 20,43	€ 24,73
mtt-4512105	Spacer 105mm female F32-F44	€ 14,25	€ 17,24
mtt-4511105	Spacer 105mm male F32-F44	€ 25,49	€ 30,84
mtt-4512170	Spacer 170mm female F32-F44	€ 20,25	€ 24,50
mtt-4511170	Spacer 170mm male system F32-F44	€ 32,99	€ 39,91
mtt-4512210	Spacer 210mm female F32-44	€ 25,11	€ 30,39
mtt-4511210	Spacer 210mm male F32-F44	€ 36,74	€ 44,46
mtt-4510115	Steelpin for connecting hinge part sections	€ 3,41	€ 4,12
mtt-4510112	Male hinge part Left (system F 32-F44)	€ 35,19	€ 42,58
mtt-4510110	Male hinge part Right (system F 32-F44)	€ 35,19	€ 42,58
mtt-4459910	Cornerbrace with Clamps 1 meter	€ 119,11	€ 144,13

articlecode	discription	price ex. BTW	price incl. BTW
mtt-4459920	Cornerbrace with clamps 2 meter	€ 137,43	€ 166,29
mtt-4459930	Cornerbrace with clamps 3.0 meter	€ 152,68	€ 184,74
mtt-4459800	Clamp (claw 50mm) extensible short with connical connector 210mm	€ 91,80	€ 111,08
mtt-4459830	Clamp (Claw 50mm) extensible long with connical connector 330mm	€ 102,00	€ 123,42
mtt-4459810	Clamp (halfcoupler 50mm) extensible short with connical connector 210mm	€ 76,35	€ 92,38
mtt-4459820	Clamp (halfcoupler50mm) extensible long with connical connector330mm	€ 83,98	€ 101,61
mtt-4550310	Claw Clamp	€ 18,71	€ 22,64
mtt-4550007	Clamp JL-221S	€ 3,05	€ 3,69
Hand Chainhoist			
mtt-48003-03	Handchainhoist 1000kg 3m MA	€ 217,39	€ 263,05
mtt-48003-04	Handchainhoist 1000kg 4m MA	€ 229,94	€ 278,23
mtt-48003-05	Handchainhoist 1000kg 5m MA Black, chainbag included	€ 248,22	€ 300,34
mtt-48003-06	Handchainhoist 1000kg 6m MA Black, chainbag included	€ 277,83	€ 336,17
mtt-48003-07	Handchainhoist 1000kg 7m MA Black, chainbag included	€ 307,43	€ 371,99
mtt-48003-08	Handchainhoist 1000kg 8m MA Black, chainbag included	€ 337,01	€ 407,78
mtt-48003-09	Handchainhoist 1000kg 9m MA black, chainbag included	€ 366,62	€ 443,61
mtt-48003-10	Handchainhoist 1000kg 10m MA black, chainbag included	€ 396,22	€ 479,42
mtt-48003-11	Handchainhoist 1000kg 11m MA	€ 308,62	€ 373,43
mtt-48003-12	Handchainhoist 1000kg 12m MA	€ 322,31	€ 389,99
mtt-49220-K	Hand Chain Hoist chainbag	€ 76,50	€ 92,57
Electro hoist CM Lodestar 110V Low Voltage (LV) Control			
mtt-48152-20	CM Lodestar 400V / 110V LV Control 250kg 4m/min 20m	€ 2.768,16	€ 3.349,47
mtt-48154-20	CM Lodestar 400V / 110V LV Control 500kg 4m/min 20m	€ 2.869,38	€ 3.471,95
mtt-48156-20	CM Lodestar 400V / 110V LV Control 500kg 8m/min 20m	€ 3.885,99	€ 4.702,05
mtt-48158-20	CM Lodestar 400V / 110V LVControl 500kg 16m/min 20m	€ 4.389,16	€ 5.310,88
mtt-48160-20	CM Lodestar 400V / 110V LVControl 1000kg 4m/min 20m	€ 3.890,39	€ 4.707,37
mtt-48162-20	CM Lodestar 400V / 110V LV Control 1000kg 8m/min 20m	€ 4.389,16	€ 5.310,88
mtt-48164-20	CM Lodestar 400V / 110V LV Control 2000kg 2m/min 20m	€ 4.838,05	€ 5.854,04
mtt-48166-20	CM Lodestar 400V / 110V LV Control 2000kg 4m/min 20m	€ 5.284,00	€ 6.393,65
Electro hoist CM Lodestar direct control			
mtt-48132-20	CM Lodestar 400V Direct Control 250kg 4m/min 20m	€ 2.306,07	€ 2.790,34
mtt-48134-20	CM Lodestar 400V Direct Control 500kg 4m/min 20m	€ 2.410,22	€ 2.916,37
mtt-48136-20	CM Lodestar 400V Direct Control 500kg 8m/min 20m	€ 3.444,43	€ 4.167,76
mtt-48138-20	CM Lodestar 400V Direct Control 500kg 16m/min 20m	€ 3.962,27	€ 4.794,35
mtt-48140-20	CM Lodestar 400V Direct Control 1000kg 4m/min 20m	€ 3.473,28	€ 4.202,67
mtt-48142-20	CM Lodestar 400V Direct Control 1000kg 8m/min 20m	€ 3.962,27	€ 4.794,35
mtt-48144-20	CM Lodestar 400V Direct Control 2000kg 2m/min 20m	€ 4.395,02	€ 5.317,98
mtt-48146-20	CM Lodestar 400V Direct Control 2000kg 4m/min 20m	€ 4.855,65	€ 5.875,34
Electro hoist CM Lodestar 110V LV Control Double Brake BGV-D8+			
mtt-48172-20	CM Lodestar 400V / 110V LV Control 250kg 4m/min Double Brake BGV-D8+ 20m	€ 3.497,24	€ 4.231,66
mtt-48174-20	CM Lodestar 400V / 110V LV Control 250kg 8m/min Double Brake BGV-D8+ 20m	€ 4.597,47	€ 5.562,93
mtt-48176-20	CM Lodestar 400V / 110V LV Control 500kg 4m/min Double Brake BGV-D8+ 20m	€ 4.601,87	€ 5.568,26
mtt-48178-20	CM Lodestar 400V / 110V LV Control 1000kg 2m/min Double Brake BGV-D8+ 20m	€ 5.995,48	€ 7.254,53
Electro hoist CM Prostar 110V Low Voltage (LV) Control			
mtt-48102-10	CM Prostar 400V / 110V LV Control 136kg 4m/min 10m	€ 1.978,93	€ 2.394,51
mtt-48104-10	CM Prostar 400V / 110V LV Control 136kg 6m/min 10m	€ 2.018,54	€ 2.442,44
mtt-48106-10	CM Prostar 400V / 110V LV Control 136kg 10m/min 10m	€ 2.061,08	€ 2.493,91
mtt-48108-10	CM Prostar 400V / 110V LV Control 250kg 4m/min 10m	€ 2.144,70	€ 2.595,09
mtt-48110-10	CM Prostar 400V / 110V LV Control 250kg 6m/min 10m	€ 2.231,25	€ 2.699,82
mtt-48112-10	CM Prostar 400V / 110V LV Control 500kg 2m/min 10m	€ 2.622,93	€ 3.173,75
Electro hoist CM Prostar 230V 1fase 110V Low Voltage (LV) Control			
mtt-48116-10	CM Prostar 230V / 110V LV Control 136kg 4m/min 10m	€ 1.978,93	€ 2.394,51
mtt-48118-10	CM Prostar 230V / 110V LV Control 226kg 3m/min 10m	€ 2.096,29	€ 2.536,51
mtt-48120-10	CM Prostar 230V / 110V LV Control 452kg 1,5m/min 10m	€ 2.446,90	€ 2.960,74
Electro hoist CM Prostar 400V Direct Control			
mtt-48124-10	CM Prostar 400V Direct Control 250kg 4m/min 10m	€ 2.118,30	€ 2.563,14
mtt-48126-10	CM Prostar 400V Direct Control 250kg 6m/min 10m	€ 2.204,85	€ 2.667,86

articlecode	discription	price ex. BTW	price incl. BTW
Additional Electro hoist products			
T.b.a.	Build in anti-phase detection	€ 194,37	€ 235,19
T.b.a.	Build in smart limit that makes a LV work like a DC Hoist	€ 194,37	€ 235,19
T.b.a.	Pickle	€ 132,03	€ 159,75
T.b.a.	Raincover for all Lodestars	€ 110,02	€ 133,13
T.b.a.	Chainstop kit adjustable for all small frame Lodestars	€ 114,25	€ 138,24
T.b.a.	Chainstop kit adjustable for all large frame Lodestars	€ 117,48	€ 142,15
T.b.a.	Pickle		
Flightcases			
T.b.a.	Lodestar flightcase 1x small frame	€ 872,84	€ 1.056,14
T.b.a.	Lodestar flightcase 2x small frame	€ 1.100,22	€ 1.331,27
T.b.a.	Lodestar flightcase 1x large frame	€ 959,03	€ 1.160,42
T.b.a.	Prostar flightcase 2x Prostar	€ 872,84	€ 1.056,14
T.b.a.	Prostar flightcase 4x Prostar	€ 997,54	€ 1.207,02
T.b.a.	Prostar flightcase 6x Prostar	€ 1.246,92	€ 1.508,77
Multibarriers			
mtt-4710100	MultiBarrier aluminium 100cm with security platform	€ 699,71	€ 846,65
mtt-4710130	MultiBarrier Vario Corner Heavy	€ 1.139,55	€ 1.378,86
mtt-4710170	MultiBarrier aluminium for cable guide 50cm	€ 400,98	€ 485,19
mtt-4710140	MultiBarrier with gate 100cm	€ 878,08	€ 1.062,47
mtt-4710112	MultiBarrier corner 45dgr outside	€ 731,87	€ 885,56
mtt-4710114	MultiBarrier corner 45dgr innerside	€ 852,36	€ 1.031,36
mtt-4710120	MultiBarrier corner 90dgr outside	€ 870,93	€ 1.053,82
mtt-4710124	MultiBarrier inner corner 90dgr	€ 852,36	€ 1.031,36
mtt-4710144	MultiGateBarrier 200cm (60cm gate)	€ 1.409,01	€ 1.704,90
mtt-4710160	MultiBarrier connector to GateBarrier 180dgr	€ 586,62	€ 709,81
mtt-4710164	MultiBarrier connector to GateBarrier 90dgr	€ 488,23	€ 590,76
mtt-4710180	MultiBarrier transport/storage frame for 10pc Mbarrier	€ 756,84	€ 915,77
mtt-4710184	MultiBarrier transport/storage frame for 10pc MGateBarrier	€ 1.501,83	€ 1.817,21
Round slings			
mtt-48412	Roundsling Black 1Ton 1m	€ 6,11	€ 7,40
mtt-48413	Roundsling Black 1Ton 1,5m	€ 8,86	€ 10,72
mtt-48414	Roundsling Black 1Ton 2m	€ 11,61	€ 14,05
mtt-48415	Roundsling Black 1Ton 2,5m	€ 14,55	€ 17,60
mtt-48416	Roundsling Black 1Ton 3m	€ 17,11	€ 20,71
mtt-48422	Roundsling Black 2Ton 1m	€ 9,29	€ 11,24
mtt-48423	Roundsling Black 2Ton 1,5m	€ 13,57	€ 16,42
mtt-48424	Roundsling Black 2Ton 2m	€ 18,17	€ 21,98
mtt-48425	Roundsling Black 2Ton 2,5m	€ 22,49	€ 27,22
mtt-48426	Roundsling Black 2Ton 3m	€ 26,89	€ 32,54
Steels			
mtt-48441	Steel 10mm(6x36mm), PVC cover, 1Ton 0,5m	€ 18,29	€ 22,13
mtt-48443	Steel 10mm(6x36mm), PVC cover, 1Ton 1,0m	€ 21,22	€ 25,68
mtt-48445	Steel 10mm(6x36mm), PVC cover, 1Ton 1,5m	€ 25,28	€ 30,59
mtt-48447	Steel 10mm(6x36mm), PVC cover, 1Ton 2,0m	€ 29,00	€ 35,09
mtt-48449	Steel 10mm(6x36mm), PVC cover, 1Ton 3,0m	€ 39,00	€ 47,19
mtt-48451	Steel 14mm(6x36mm), PVC cover, 2Ton 0,5m	€ 30,37	€ 36,74
mtt-48453	Steel 14mm(6x36mm), PVC cover, 2Ton 1,0m	€ 34,72	€ 42,01
mtt-48455	Steel 14mm(6x36mm), PVC cover, 2Ton 1,5m	€ 40,22	€ 48,67
mtt-48457	Steel 14mm(6x36mm), PVC cover, 2Ton 2,0m	€ 45,70	€ 55,29
mtt-48459	Steel 14mm(6x36mm), PVC cover, 2Ton 3,0m	€ 76,14	€ 92,12
Softsteel			
mtt-48471	Softsteel roundsling Black 2Ton 0,5m	€ 39,36	€ 47,63
mtt-48472	Softsteel roundsling Black 2Ton 1m	€ 47,19	€ 57,10
mtt-48473	Softsteel roundsling Black 2Ton 1,5m	€ 53,30	€ 64,49
mtt-48474	Softsteel roundsling Black 2Ton 2m	€ 59,17	€ 71,59
mtt-48476	Softsteel roundsling Black 2Ton 3m	€ 75,30	€ 91,12

articlecode	discription	price ex. BTW	price incl. BTW
Safety steels			
mtt-48481	Safety steel 2mm Black 10kg 45cm, karabiner 6x60black on one side	€ 7,48	€ 9,05
mtt-48483	Safety steel 3mm Black 15kg 60cm, karabiner 6x60black on one side	€ 8,90	€ 10,77
mtt-48485	Safety steel 4mm Black 20kg 75cm, karabiner 6x60black on one side	€ 10,17	€ 12,31
Grade 80 sling chain			
mtt-48491	One-leg sling chain and hook 6mm 1,12Ton	€ 83,84	€ 101,44
mtt-48493	One-leg sling chain and hook 8mm 2Ton	€ 93,76	€ 113,45
mtt-48495	One-leg sling chain and hook 10mm 3,15Ton	€ 115,94	€ 140,29
mtt-48497	One-leg sling chain, hook and shortning clutch 6mm 1,12Ton	€ 117,04	€ 141,62
mtt-48498	One-leg sling chain, hook and shortning clutch 8mm 2Ton	€ 127,77	€ 154,60
mtt-48499	One-leg sling chain, hook and shortning clutch 10mm 3,15Ton	€ 163,69	€ 198,06
Shackles			
mtt-48511-S	Shackle 0,5Ton screw pin	€ 2,43	€ 2,95
mtt-48511-B	Shackle 0,5Ton bolt type	€ 2,72	€ 3,29
mtt-48513-S	Shackle 1,0Ton screw pin	€ 3,90	€ 4,72
mtt-48513-B	Shackle 1,0Ton bolt type	€ 4,43	€ 5,36
mtt-48515-S	Shackle 1,5Ton screw pin	€ 5,03	€ 6,08
mtt-48515-B	Shackle 1,5Ton bolt type	€ 5,77	€ 6,99
mtt-48517-S	Shackle 2,0Ton screw pin	€ 6,09	€ 7,36
mtt-48517-B	Shackle 2,0Ton bolt type	€ 6,87	€ 8,31
mtt-48519-S	Shackle 3,25Ton screw pin	€ 8,68	€ 10,50
mtt-48519-B	Shackle 3,25Ton bolt type	€ 9,64	€ 11,67
Beam clamps			
mtt-48531	Beam clamp 75-220mm 1Ton Black	€ 119,19	€ 144,22
mtt-48535	Beam clamp 75-220mm 2Ton Black	€ 136,67	€ 165,37
mtt-48538	Beam clamp 80-320mm 3Ton Black	€ 217,72	€ 263,44
Safety Equipment			
mtt-4891010	Safety harness MV51 size XL, BLACK	€ 219,30	€ 265,35
mtt-4891012	Safety harness MV51 size XXL, BLACK	€ 230,45	€ 278,84
mtt-4891016	Safety harness MV70 size XL, BLACK	€ 272,23	€ 329,40
mtt-4891018	Safety harness MV70 size XXL, BLACK	€ 281,29	€ 340,36
mtt-4891022	Safety belt MV70B size XL, BLACK	€ 141,44	€ 171,15
mtt-4891024	Safety belt MV70B size XXL, BLACK	€ 146,22	€ 176,92
mtt-4891102	Fall arrester MV20 6m	€ 514,90	€ 623,02
mtt-4891110	Fall arrester MV20 20m	€ 743,74	€ 899,93
mtt-4891114	Rolex mini block 2,25m	€ 138,26	€ 167,30
mtt-4891116	Fall Arrest MV200	€ 36,56	€ 44,23
mtt-4891120	Lanyard MV101 1,5m with shock absorbtion	€ 150,99	€ 182,70
mtt-4891124	Lanyard Y-model 1,5m with shock absorb.	€ 150,99	€ 182,70
mtt-4891134	Lanyard for workposition 1,5m	€ 38,14	€ 46,15
mtt-4891138	Lanyard adjustable 2m	€ 36,56	€ 44,23
mtt-4891142	Lanyard rope model 10m	€ 76,28	€ 92,29
mtt-4891144	Lanyard rope model 20m	€ 120,79	€ 146,15
mtt-4891150	Vertical rope grap for 14mm rope	€ 162,11	€ 196,15
mtt-4891160	Tool lanyard wrist type	€ 7,31	€ 8,85
mtt-4891162	Tool lanyard belt type	€ 11,77	€ 14,24
Furniture			
Chairs			
mtt-4722600	Bar Stool Robust	€ 127,69	€ 154,51
mtt-4722601	Bar stool Robust Solid wood	€ 127,58	€ 154,37
mtt-4722604	Bar stool Stylish	€ 125,34	€ 151,66
mtt-4722607	Bar stool curve	€ 118,11	€ 142,91
mtt-4722609	Bar stool adjustable bistro	€ 137,94	€ 166,91
Tables			
mtt-4722620	Bar Tabel Robust	€ 223,55	€ 270,50
mtt-4722624	Bar Tabel Stylish	€ 225,94	€ 273,39
mtt-4722626	Bar tabel braceless	€ 223,69	€ 270,66

articlecode	discription	price ex. BTW	price incl. BTW
mtt-4722627	Bar table curve wooden	€ 296,02	€ 358,19
mtt-4722628	Bar Tabel Curve glass	€ 494,46	€ 598,29
Spareparts			
mtt-4722910	Rubberfeet for barchair	€ 2,51	€ 3,04
mtt-4722916	Wooden seat truss barchair oak woad	€ 31,18	€ 37,73
Racks			
mtt-4722650	Catalogue rack truss	€ 311,45	€ 376,85
Catheder			
mtt-4720321	Catheder F32 straight	€ 300,90	€ 364,09
mtt-4720323	Catheder F32 curve	€ 365,06	€ 441,72
mtt-4720341	Catheder F34 straight	€ 362,61	€ 438,76
mtt-4720343	Catheder F34 curve	€ 429,46	€ 519,65
Towerparts F34			
mtt-4434110	Tower F34 Base section outdoor galv	€ 600,60	€ 726,72
mtt-4434114	Tower F34 Base section indoor powderc	€ 600,60	€ 726,72
mtt-4434310	Tower F34 Sleeveblock incl 8 steelmale c	€ 1.102,60	€ 1.334,15
mtt-4434410	Tower F34 Top section handcainhoist	€ 327,12	€ 395,82
mtt-4434414	Tower F34 Top section elektro chainhoist	€ 478,92	€ 579,49
mtt-4434418	Tower F34 Top section for steelcable 10m	€ 360,12	€ 435,75
mtt-4434432	Tower attachment chainhoist to base	€ 262,59	€ 317,73
mtt-4434440	Tower handwinch 900kg with base adapter	€ 592,35	€ 716,75
Towerparts F44			
mtt-4444110	Tower F44 Base section outdoor galvan.	€ 923,91	€ 1.117,93
mtt-4444114	Tower F44 Base section indoor powdercoat	€ 923,91	€ 1.117,93
mtt-4444310	Tower F44 Sleeveblock incl 8 steelmale c	€ 1.248,71	€ 1.510,94
mtt-4444326	Tower F44P Sleeveblock Folding F52F 2Ton	€ 2.745,74	€ 3.322,34
mtt-4444410	Tower F44 Top section handcainhoist	€ 339,79	€ 411,15
mtt-4444414	Tower F44 Top section elektro chainhoist	€ 592,35	€ 716,75
mtt-4444418	Tower F44 Top section for steelcable 10m	€ 372,30	€ 450,48
Outriggers			
mtt-4434210	Tower Indoor Outrigger Base 25cm	€ 62,04	€ 75,06
mtt-4434214	Tower Indoor Outrigger Base 75cm	€ 66,46	€ 80,42
mtt-4434218	Tower Indoor Outrigger 150cm Cornerbrace	€ 305,72	€ 369,93
mtt-4434230	Tower Outdoor Outrigger Base 0.25cm	€ 81,23	€ 98,29
mtt-4434234	Tower Outdoor Outrigger Base 0.75m	€ 94,41	€ 114,24
mtt-4434238	Tower Outdoor Outrigger 150cm Cornerbrac	€ 311,57	€ 377,00
mtt-4434250	Tower F34 outdoor ballast outrigger set	€ 507,08	€ 613,57
mtt-4434260	Tower ballast tank 1000L with pallet	€ 985,38	€ 1.192,31
PA Tower			
mtt-4444510	PA Tower F44 3way piece, with handwinch adapter.(winch not included)	€ 935,85	€ 1.132,38
mtt-4444516	PA Tower F44 handwinch with steelcable	€ 446,25	€ 539,96
mtt-4444520	PA Tower F44 2way hinge adapter	€ 148,92	€ 180,19
mtt-4444522	PA Tower F44 1way hinge adapter	€ 119,09	€ 144,09
mtt-4444525	PA Tower F31 353,5cm	€ 89,25	€ 107,99
mtt-4444530	PA Tower F44 leg with Layher spindel	€ 141,15	€ 170,79
Winch			
T.b.a.	Alko kobe pro Handwinch 900 Kg - 20M incl. assemblingplate base	€ 580,74	€ 702,70
T.b.a.	Alco Kobe handwinch 500 kg 10m steelcable incl assembling plate	€ 278,52	€ 337,01
Stage parts arc stage			
mtt-4458010	ARC adapter F34 for F33 arched truss	€ 248,85	€ 301,11
mtt-4458011	ARC adapter F34 for F34 arched truss	€ 239,70	€ 290,04
mtt-4458015	ARC F34 leg adapter to horizontal	€ 267,75	€ 323,98
mtt-4458020	ARC F33 arched truss for ARC stage	€ 896,85	€ 1.085,18
mtt-4458030	ARC F34 200cm T-piece	€ 441,34	€ 534,03
mtt-4458050	ARC F34 sleeveblock type LRSI	€ 841,99	€ 1.018,81

articlecode	discription	price ex. BTW	price incl. BTW
mtt-4458060	ARC F34 towertop for handwinch type LRSI	€ 388,15	€ 469,66
mtt-4458070	ARC F34 base type LRSI	€ 600,60	€ 726,72
Safety parts for Arc Stage			
mtt-4459714	Set Steelcables & Alu-tubes Stage 8x6m	2.886,99	€ 3.493,25
mtt-4459730	Set Steelcables & Earthrod incl turnbuck	1.224,14	€ 1.481,21
mtt-4459708	Steelwire 10mm with turnbuckle 8m and 2m	218,09	€ 263,88
T.b.a.	Nylon/Steel strap with crossby-laughlin M14 1000Kg	146,30	€ 177,02
T.b.a.	Brace Steelpin 1 Meter	46,09	€ 55,77
Complete Arc Stages			
mtt-4450645	Stage 6x4m height 5m without canopy, steelcables & tubes	18.896,13	€ 22.864,32
mtt-4450655	Stage 6x5m height 5m without canopy, steelcables & tubes	20.822,72	€ 25.195,49
mtt-4450665	Stage 6x6m height 5m without canopy, steelcables & tubes	21.253,39	€ 25.716,61
mtt-4450845	Stage 8x4m height 5m without canopy, steelcables & tubes	19.568,37	€ 23.677,73
mtt-4450865	Stage 8x6m height 5m without canopy, steelcables & tubes	22.521,00	€ 27.250,41
mtt-4450866	Stage 8x6m height 6m without canopy, steelcables & tubes	23.382,33	€ 28.292,62
mtt-4451065	Stage 10x6m height 5m without canopy, steelcables & tubes	23.086,95	€ 27.935,20
mtt-4451066	Stage 10x6m height 6m without canopy, steelcables & tubes	23.948,27	€ 28.977,41
mtt-4451076	Stage10x7m height 6m without canopy, steelcables & tubes	30.288,49	€ 36.649,08
mtt-4451086	Stage 10x8m height 6m without canopy, steelcables & tubes	30.719,16	€ 37.170,18
Wall Mount, Direct Control (DC)			
mtt-48201-CE	Hoist DC Control 2way Wall Mount, Local Control, CEE out	€ 962,70	€ 1.164,86
mtt-48203-CE	Hoist DC Control 2way Wall Mount, Remote Control 15metre, CEE out	€ 2.888,09	€ 3.494,58
mtt-48205-HA	Hoist DC Control 4way Wall Mount, Local Control, Harting out	€ 1.415,62	€ 1.712,90
mtt-48207-HA	Hoist DC Control 4way Wall Mount, Remote Control 15metre, Harting out	€ 3.905,79	€ 4.726,01
mtt-48209-HA	Hoist DC Control 6way Wall Mount, Local Control, Harting out	€ 1.958,40	€ 2.369,66
mtt-48211-HA	Hoist DC Control 6way Wall Mount, Remote Control 15metre, Harting out	€ 4.985,84	€ 6.032,87
mtt-48213-HA	Hoist DC Control 8way Wall Mount, Local Control, Harting out	€ 2.446,16	€ 2.959,86
mtt-48215-HA	Hoist DC Control 8way Wall Mount, Remote Control 15metre, Harting out	€ 6.093,40	€ 7.373,02
Wall Mount, Low Voltage (LV) Control			
mtt-48219-CE	Hoist LV Control 2way Wall Mount, Local Control, CEE out	€ 1.270,76	€ 1.537,62
mtt-48221-CE	Hoist LV Control 2way Wall Mount, Remote Control 15metre, CEE out	€ 1.881,38	€ 2.276,47
mtt-48223-HA	Hoist LV Control 4way Wall Mount, Local Control, Harting out	€ 1.921,72	€ 2.325,28
mtt-48225-HA	Hoist LV Control 4way Wall Mount, Remote Control 15metre, Harting out	€ 2.948,60	€ 3.567,80
mtt-48227-HA	Hoist LV Control 6way Wall Mount, Local Control, Harting out	€ 2.365,48	€ 2.862,23
mtt-48229-HA	Hoist LV Control 6way Wall Mount, Remote Control 15metre, Harting out	€ 3.561,06	€ 4.308,88
mtt-48231-HA	Hoist LV Control 8way Wall Mount, Local Control, Harting out	€ 2.844,08	€ 3.441,33
mtt-48233-HA	Hoist LV Control 8way Wall Mount, Remote Control 15metre, Harting out	€ 4.490,74	€ 5.433,80
Metal Box, Direct Control (DC)			
mtt-48237-CE	Hoist DC Control 1way Metal Box, Local Control, 4pol CEE out	€ 641,80	€ 776,57
mtt-48239-CE	Hoist DC Control 2way Metal Box, Local Control, 4pol CEE out	€ 808,66	€ 978,48
mtt-48241-HA	Hoist DC Control 4way Metal Box, Local Control, Harting out	€ 1.312,93	€ 1.588,65
mtt-48243-HA	Hoist DC Control 4way Metal Box, Rem.Contr.15m, Harting, autom.phase detection	€ 3.315,34	€ 4.011,56
mtt-48245-HA	Hoist DC Control 6way Metal Box, Local Control, Harting out	€ 2.266,46	€ 2.742,42
mtt-48247-HA	Hoist DC Control 6way Metal Box, Rem.Contr.15m, Harting, autom.phase detection	€ 4.400,89	€ 5.325,08
mtt-48249-HA	Hoist DC Control 8way Metal Box, Local Control, Harting out	€ 3.034,78	€ 3.672,09
mtt-48251-HA	Hoist DC Control 8way Metal Box, Rem.Contr.15m, Harting, autom.phase detection	€ 4.700,89	€ 5.688,07
Metal Box, Low Voltage (DC) Control			
mtt-48255-CE	Hoist LV Control 2way Metal Box, Local Control, 4pol CEE out	€ 1.360,61	€ 1.646,34
mtt-48257-HA	Hoist LV Control 4way Metal Box, Local Control, Harting out	€ 1.991,40	€ 2.409,60
mtt-48259-HA	Hoist LV Control 4way Metal Box, Rem.Contr.15m, Harting, autom.phase detection	€ 3.106,30	€ 3.758,62
mtt-48261-HA	Hoist LV Control 6way Metal Box, Local Control, Harting out	€ 2.475,50	€ 2.995,36
mtt-48263-HA	Hoist LV Control 6way Metal Box, Rem.Contr.15m, Harting, autom.phase detection	€ 3.771,93	€ 4.564,04
mtt-48265-HA	Hoist LV Control 8way Metal Box, Local Control, Harting out	€ 2.867,91	€ 3.470,18
mtt-48267-HA	Hoist LV Control 8way Metal Box, Rem.Contr.15m, Harting, autom.phase detection	€ 4.362,38	€ 5.278,48
Flightcase, Direct Control (DC)			
mtt-48271-CE	Hoist DC Control 2way Flightcase, Local Control, 4pol CEE out	€ 1.707,18	€ 2.065,69
mtt-48273-HA	Hoist DC Control 4way Flightcase, Local Control, Harting out	€ 2.394,82	€ 2.897,73

articlecode	discription	price ex. BTW	price incl. BTW
mtt-48275-HA	Hoist DC Control 4way Flightcase, Rem.Contr.15m, Harting, autom.phase detection	€ 4.079,99	€ 4.936,79
mtt-48277-HA	Hoist DC Control 6way Flightcase, Local Control, Harting out	€ 2.867,91	€ 3.470,18
mtt-48279-HA	Hoist DC Control 6way Flightcase, Rem.Contr.15m, Harting, autom.phase detection	€ 5.081,20	€ 6.148,25
mtt-48281-HA	Hoist DC Control 8way Flightcase, Local Control, Harting out	€ 3.715,09	€ 4.495,25
mtt-48283-HA	Hoist DC Control 8way Flightcase, Rem.Contr.15m, Harting, autom.phase detection	€ 6.285,94	€ 7.605,99
Flightcase, Low Voltage (DC) Control			
mtt-48287-CE	Hoist LV Control 2way Flightcase, Local Control, 4pol CEE out	€ 1.872,21	€ 2.265,38
mtt-48289-HA	Hoist LV Control 4way Flightcase, Local Control, Harting out	€ 2.504,84	€ 3.030,86
mtt-48291-HA	Hoist LV Control 4way Flightcase, Rem.Contr.15m, Harting, autom.phase detection	€ 3.561,06	€ 4.308,88
mtt-48293-HA	Hoist LV Control 6way Flightcase, Local Control, Harting out	€ 2.988,94	€ 3.616,62
mtt-48295-HA	Hoist LV Control 6way Flightcase, Rem.Contr.15m, Harting, autom.phase detection	€ 4.235,86	€ 5.125,39
mtt-48297-HA	Hoist LV Control 8way Flightcase, Local Control, Harting out	€ 3.427,19	€ 4.146,91
mtt-48299-HA	Hoist LV Control 8way Flightcase, Rem.Contr.15m, Harting, autom.phase detection	€ 5.389,26	€ 6.521,00
Powerdistribution			
mtt-48330	Motor Break-out box 16pole -> 4CEE red	€ 303,17	€ 366,84
mtt-48332	Motor Break-out box 16pole -> 4CEE yellow	€ 287,52	€ 347,91
mtt-48340-05	Multicable 16pol IIme 1,5hfl sideconnection Black 5m	€ 148,14	€ 179,25
mtt-48340-10	Multicable 16pol IIme 1,5hfl sideconnection Black 10m	€ 188,38	€ 227,94
mtt-48340-15	Multicable 16pol IIme 1,5hfl sideconnection Black 15m	€ 230,66	€ 279,09
mtt-48342-20	Multicable 16pol IIme 2,5hfl sideconnection Black 20m	€ 364,37	€ 440,89
mtt-48342-25	Multicable 16pol IIme 2,5hfl sideconnection Black 25m	€ 311,12	€ 376,45
mtt-48350-05	Motorcable 4pole CEE red 16A 4x1,5 neopreen 5m	€ 54,60	€ 66,06
mtt-48350-07	Motorcable 4pole CEE red 16A 4x1,5 neopreen 7,5m	€ 70,56	€ 85,38
mtt-48350-10	Motorcable 4pole CEE red 16A 4x1,5 neopreen 10m	€ 76,50	€ 92,57
mtt-48350-15	Motorcable 4pole CEE red 16A 4x1,5 neopreen 15m	€ 88,38	€ 106,95
mtt-48352-25	Motorcable 4pole CEE red 16A 4x2,5 neopreen 25m	€ 147,80	€ 178,83
mtt-48360-05	Multi motorcable 4pole CEE red + 4pole CEE yellow 7x1,5mm 5m	€ 134,96	€ 163,30
mtt-48360-10	Multi motorcable 4pole CEE red + 4pole CEE yellow 7x1,5mm 10m	€ 174,08	€ 210,64
mtt-48362-15	Multi motorcable 4pole CEE red + 4pole CEE yellow 7x2,5mm 15m	€ 258,19	€ 312,40
mtt-48362-20	Multi motorcable 4pole CEE red + 4pole CEE yellow 7x2,5mm 20m	€ 311,00	€ 376,31
mtt-48362-25	Multi motorcable 4pole CEE red + 4pole CEE yellow 7x2,5mm 25m	€ 363,81	€ 440,21
Boards			
mtt-4551124	Truss Stack Board without anti-skating nose	€ 10,54	€ 12,76
mtt-4551110	Truss Wheel Board without anti-skating nose wheels excluded	€ 27,95	€ 33,82
Additional parts			
mtt-4559140	Blue Wheel	€ 11,93	€ 14,44
mtt-4551140	Ratchet belt 50mm 2.0T 9 meter	€ 44,46	€ 53,80

WE ARE HERE...
...TRUSST US.



WWW.MULTITRUSS.COM

INFO@MULTITRUSS.COM

Available at:
Bekafun bvba
Heilig Hartstraat 23
8870 Izegem
www.bekafun.com
info@bekafun.be



BEKAFUN
SOUND + LIGHT