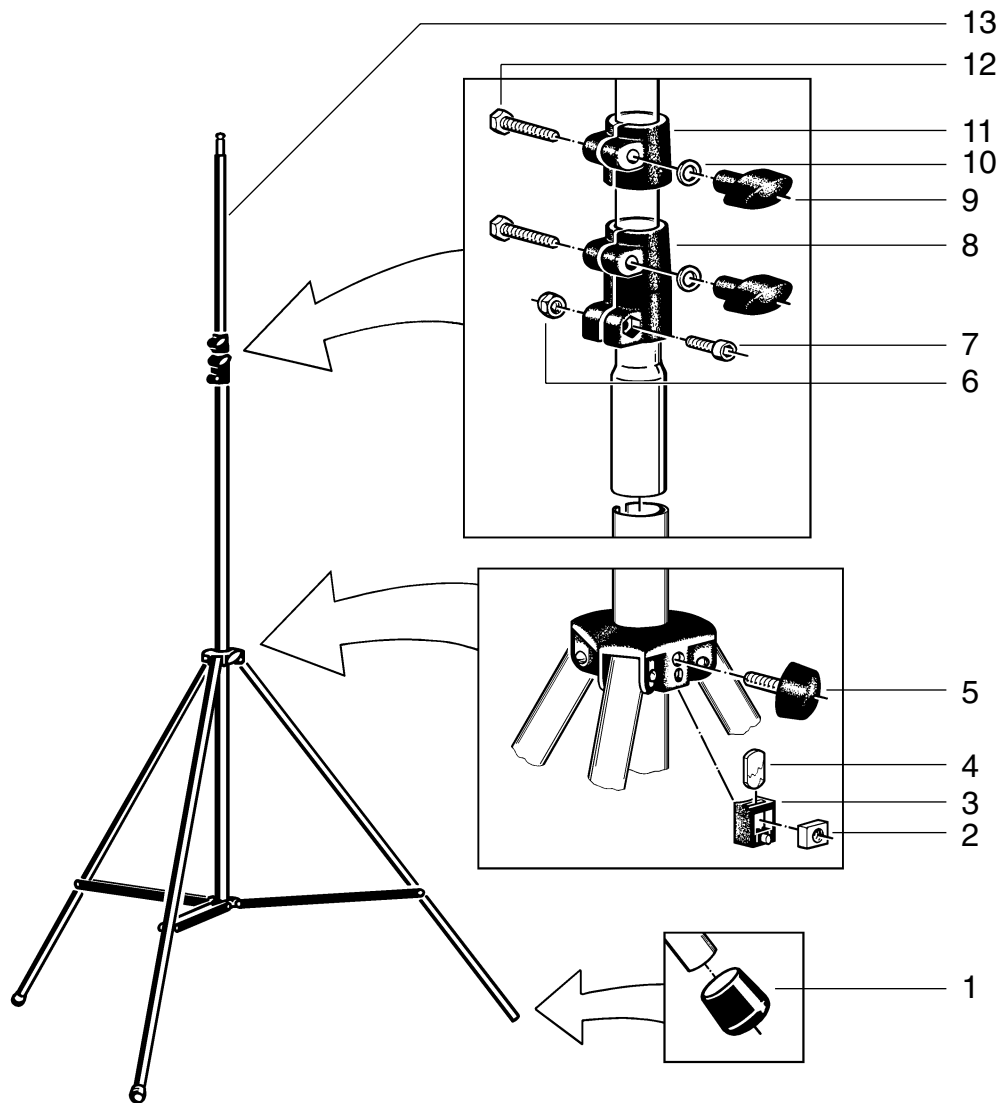


21411 Overhead-Microphone Stand

21411.400.55 black



pos.	description	art.-no.	qty
1	end cap	03.20.904.55	3
2	locking nut M8	03.08.411.00	1
3	plastic locking spacer	01.86.705.55	1
4	metal insert	01.14.600.00	1
5	locking knob M8 x 19 mm	01.83.100.55	1
6	locking nut M6	03.08.340.29	1
7	allen screw M6 x 16 mm	03.02.210.29	1
8	connecting sleeve 30/25	01.86.900.55	1
9	tighting knob M6	01.83.260.55	2
10	washer	01.43.525.01	2
11	safety ring	01.87.610.55	1
12	hexagon bolt M6 x 28 mm	03.01.340.29	2
13	extension rod with thread cpl.	7.214.110155	1