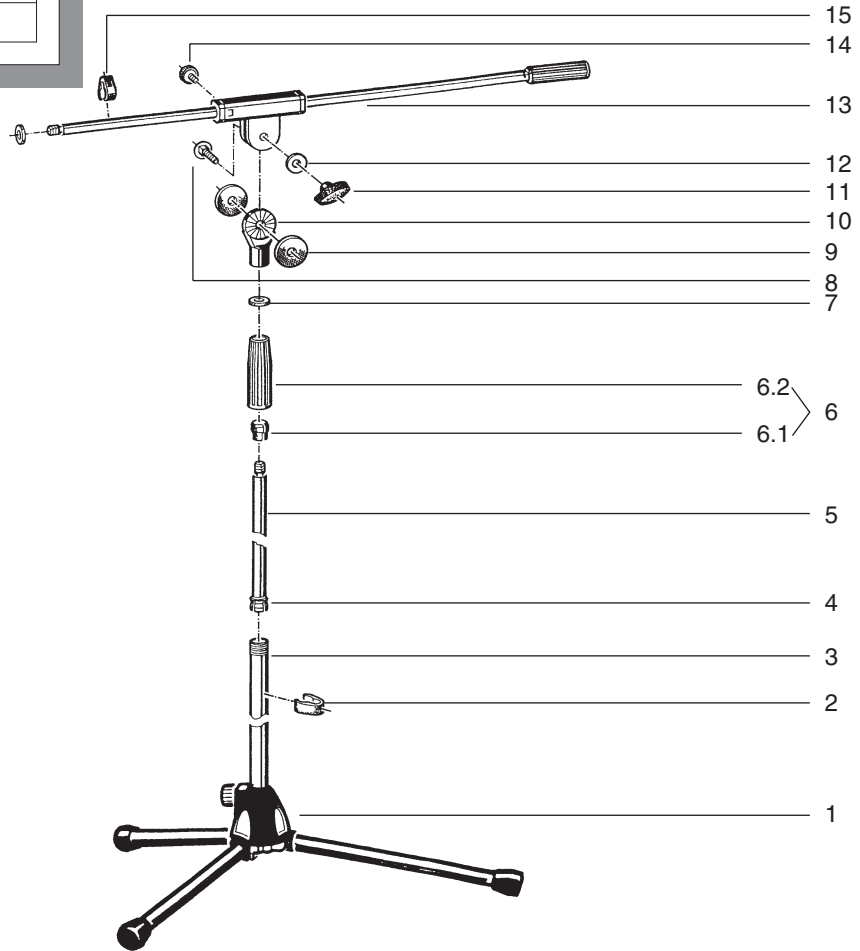


210/7 Microphone Stand

21070.300.02 chrome

21070.300.55 black



pos.	description	art.-no. chrome	art.-no. black	qty
1	socket with legs complete	03.22.425.02	03.22.425.55	1
2	plastic cable holder ø 20 mm	01.85.970.55	01.85.970.55	1
3	base rod	02.75.420.02	02.75.420.55	1
4	plastic stop	01.85.070.55	01.85.070.55	1
5	extension rod complete	7.270.030502	7.270.030555	1
6	sleeve assembly complete, consisting of:	7.200.000555	7.200.000955	1
6.1	plastic ring	01.86.820.55	01.86.820.55	1
6.2	plastic tightening sleeve	01.86.920.55	01.86.920.55	1
7	aluminum threaded washer 3/8"	03.31.525.00	03.31.550.15	2
8	carriage bolt M8 x 30 mm	03.07.530.15	03.07.530.15	1
9	rubber washer 3 mm	03.21.160.55	03.21.160.55	2
10	swivel head 3/8"	02.40.430.55	02.40.430.55	1
11	locking knob	01.83.980.55	01.83.980.55	1
12	washer ø 8,4 mm	03.11.525.01	03.11.525.01	1
13	extension tube complete	7.270.030802	7.270.030855	1
14	toggle screw M6 x 11 mm with K&M logo	01.82.826.55	01.82.826.55	1
15	plastic cable holder ø 15 mm	01.85.960.55	01.85.960.55	1