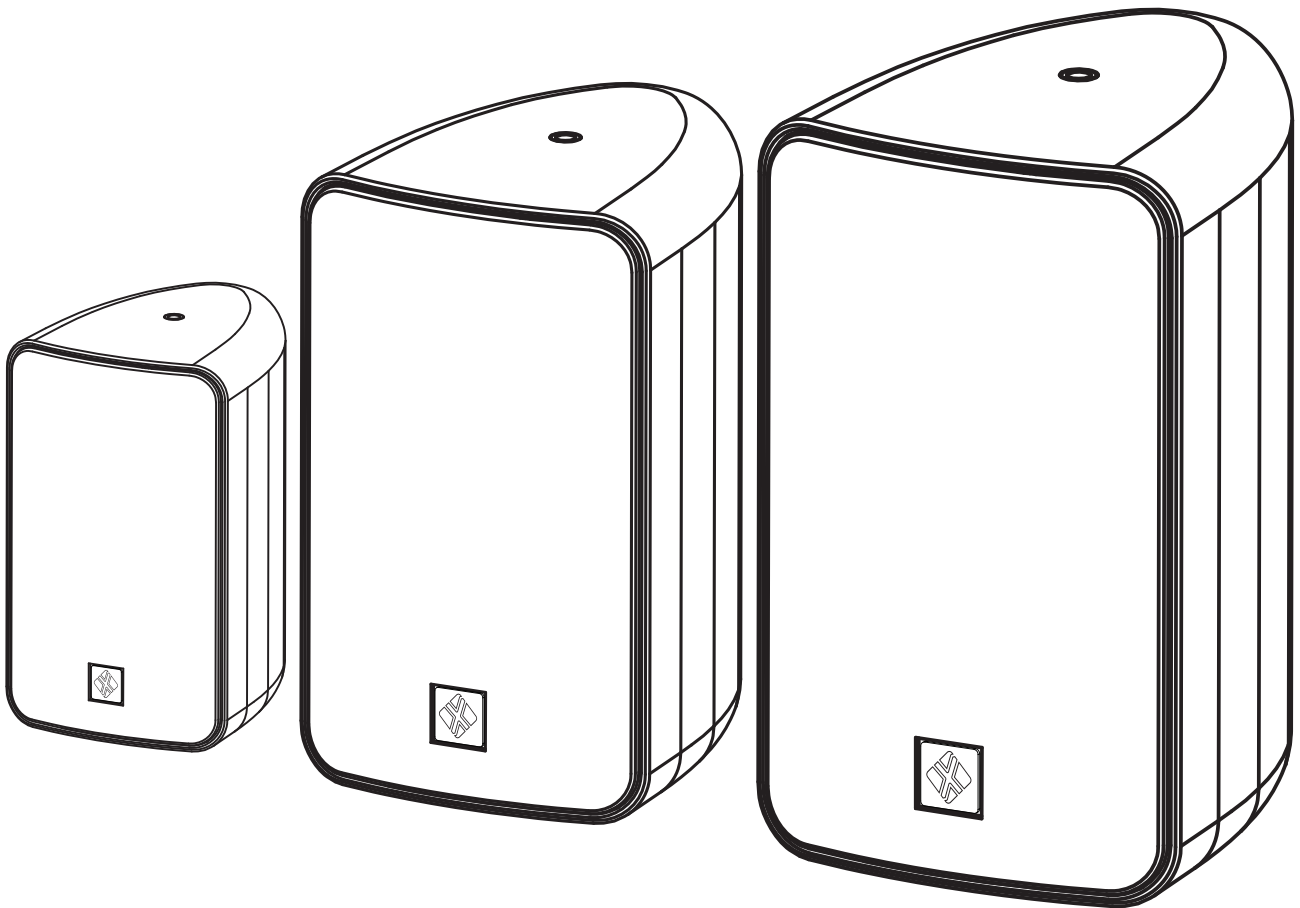


T series

USER'S MANUAL



NEXT
audiocom

Thank you for purchasing NEXT Audiocom Speakers and their associated products.
Please carefully follow the instructions in this manual to ensure long, trouble-free use of your equipment.

V202108

THIS PAGE INTENTIONALLY LEFT BLANK

INTRODUCTION	-1-
UNPACKING	-1-
T SERIES OVERVIEW	-1-
T SERIES ACCESSORIES	-1-
SAFETY FIRST	-2-
CONNECTIONS	-3-
100V TAP SELECTOR	-3-
BACK COVER	-3-
TROUBLESHOOTING	-4-
WARRANTY POLICY	-4-
END-OF-LIFE	-4-
T4 TECHNICAL SPECIFICATIONS	-5-
T4 DIMENSIONS	-5-
T6 TECHNICAL SPECIFICATIONS	-6-
T6 DIMENSIONS	-6-
T8 TECHNICAL SPECIFICATIONS	-7-
T8 DIMENSIONS	-7-
CONTACTS	-8-

INTRODUCTION

Thank you for purchasing a NEXT Audiocom T Series speaker. This manual will provide you with useful and important information about your installation series element. Please devote some time reading this manual, and keep it at hand for future reference. NEXT Audiocom is concerned with your safety and well-being, so please follow all instructions and heed all warnings. Also, a better understanding of some specific features of the speaker will help you to operate it to its full potential. With a continuous evolution of techniques and standards, NEXT Audiocom, reserves the right to change the specifications of its products without early warning. For the most current data, please visit our website: www.nextaudiocom.com

UNPACKING

NEXT Audiocom T Series are built under quality supervision of NEXT Audiocom, according to the highest standards. When unpacking your element, carefully examine it for any signs of possible transit damage and inform your dealer immediately if any such damage has occurred.

It is suggested that you retain the original packaging so that the cabinet can be repacked in the future if necessary. Please note that NEXT Audiocom and its authorized distributors cannot accept any responsibility for damage to any returned product through the use of non-approved packaging.

T SERIES OVERVIEW

The T Series range comprehends the T4, a 4" LF transducer and a 0.8" Dome Tweeter, the T6, a 6.5" LF driver with a 1" HF Driver, and finally the T8 composed by a 8" LF transducer with a 1" HF Driver.

The whole series' speakers are housed in a stylish weatherproof plastic cabinet (IP65 - using the back cover) providing an excellent architectural integration, both indoor and outdoor.

This speaker is an ideal solution for PA applications in restaurants, bars, malls or conferences. The very accurate speaker's coverage allows the people, among the audience, to perceive the sound in the same way.

For even greater versatility, the whole series' speakers can be used at 100V or 16Ω. In high-impedance (100V) operation, a multi tap transformer is available with 3 different taps.

T SERIES ACCESSORIES

All the speakers from T Series come with a U-Bracket included on the packaging. All the U-Brackets are made from Steel with a Hot-dip Galvanization, coating the steel with a layer of zinc, turning it resistant to corrosion.

Other wall brackets (with pan and tilt) are available for T4, T6 and T8 speakers.

SAFETY FIRST

- The speaker is protected against dust and splash water (**only with back cover on**) thus can be used in outdoor areas (IP65). **DO NOT IMMERSE THE PRODUCT IN WATER, THIS WILL DESTROY IT.**
- Never place your speaker in a way that prevents air flow near to the side bass reflex ports. A minimum clearance distance of 10cm should be kept between the ports and any near surface.
- Never use your speaker too close to any heat source, such as radiators, or any other device that produces heat. Recommended temperature: -5°C to +45°C.
- Place cables in a way that they do not present a trip hazard.
- Do not place any objects on top of the speaker, they can fall accidentally and cause injuries.
- Do not attempt to move the speaker while connected.
- Do not attempt to service the speaker beyond what is described in this manual. All other service or repair of this product should be carried only by qualified personnel.
- To prevent electric shock, do not use any extension cord, receptacle or other outlets where the blades of the connectors cannot be fully inserted.
- Do not operate the unit for an extended period of time with the sound distorting.
- When connecting several speakers, make sure that all the speakers have the same polarity and that the amplifier is not overloaded.
- Adjust the rotary switch to the desired power rating for the 100V operation or select the 16Ω position, for directly operating the speaker at a low-impedance amplifier output.

RIGGING AND SUSPENSION SAFETY CONSIDERATIONS

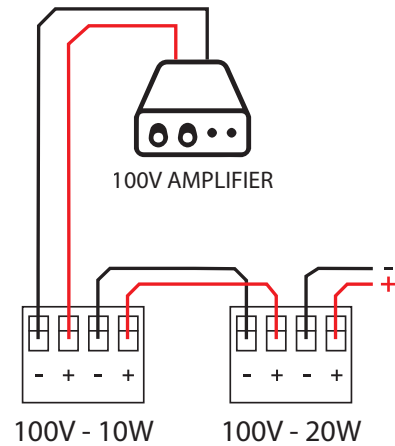
- Before rigging or suspending T series systems, inspect all components and all hardware for any signs of damaged or missing parts. If you find any damaged, corroded or deformed parts, do not use them, replace them immediately.
- Use only the recommended NEXT Audiocom wall brackets. Doing otherwise may cause the element to fall off, resulting in personal injury.
- Install the unit only in a location that can structurally support the weight of the unit and the mounting bracket. Doing otherwise may cause the element to fall off, resulting in personal injury and/or property damage.
- Use nuts and bolts that are appropriate for the wall's materials and structure. Doing otherwise may cause the element to fall off, resulting in personal injury and/or property damage.

CONNECTIONS

The T Series speakers are equipped with a 4-positions Phoenix connector located on the back plate. The first two pins correspond to IN- / IN+, and the last two pins are Link- / Link+, internally linked to the input sockets.

To connect the speaker, firstly unscrew the two silver screws and remove the plug. Screw the wires to the plug and re-attach it to the speaker.

The screw connector provides a faster and easier way to wire the system allowing the speaker to perfectly fit the wall shape while keeps invisible.



100V TAP SELECTOR

Every speakers from T Series are equipped with a multi-tap 100V transformer. There is a rotary selector placed on the back panel, near the connections plug. On this section the user can find five different switch positions according to the pretended 100V power and impedance needed. The first three positions are related to 100V, the fourth position shuts the speaker OFF - no sound will come from the speaker - the last position is meant to be used on low impedance operation (16Ω).

To change the switch position a flat screwdriver is recommended.

On the T4, the selectable power taps are 10W, 20W and 40W.

On the T6, the available power taps are 20W, 40W, and 80W.

On the T8, the available power taps are 37.5W, 75W, and 150W.



BACK COVER

Before exposing the speaker to rain or highly humid environments, please make sure that back cover is correctly installed and the cable gland is firmly screwed on.

Adjust the power tap before applying the back cover.

Note:

The IP65 can only be achieved when the back cover is in place.



TROUBLESHOOTING

Simple troubleshooting does not require sophisticated measurement equipment and can be easily undertaken by users. The technique should be to segment the system in order to identify the faulty system component. A simple sweep with a sine wave generator can be very helpful though it **MUST** be made at a fairly low level to prevent damage to the speakers. A sine wave sweep can help find:

- Vibrations due to loose screws.
- Air-leak noises: check that no screws are missing, particularly where the accessories attach to the cabinet.
- Vibrations due to a front grille badly positioned on the quick release fixings.
- Foreign object that has fallen into the cabinet after repair or through the ports.
- Internal connection wires or absorbing material touching the loudspeaker diaphragm

WARRANTY POLICY

NEXT Audiocom's products are warranted, by NEXT Audiocom, against manufacturing defects in materials or craftsmanship over a period of 2 years counting from the date of original purchase. The original receipt of purchase is mandatory for warranty validation purposes, and the product must have been bought from a NEXT Audiocom authorized dealer.

The warranty can be transferred to a subsequent owner during the warranty period; however, this cannot extend the warranty period beyond the original warranty period of two years from the original date of purchase stated on the NEXT Audiocom's invoice.

During the warranty period NEXT Audiocom will, at its own discretion, either repair or replace a product which prove to be defective provided that the product is returned in its original packaging, shipping prepaid, to an authorized NEXT Audiocom service agent or distributor.

NEXT Audiocom cannot be held responsible for defects caused by unauthorized modifications, improper use, negligence, exposure to inclement weather conditions, act of God or accident, or any use of this product that is not in accordance with the instructions provided by this manual and/or NEXT Audiocom. NEXT Audiocom is not liable for consequential damages.

This warranty is exclusive and no other warranty is expressed or implied. This warranty does not affect your statutory rights.

END-OF-LIFE

When to be definitively put out of operation, take the product to a local recycling plant for a disposal which is not harmful to the environment.

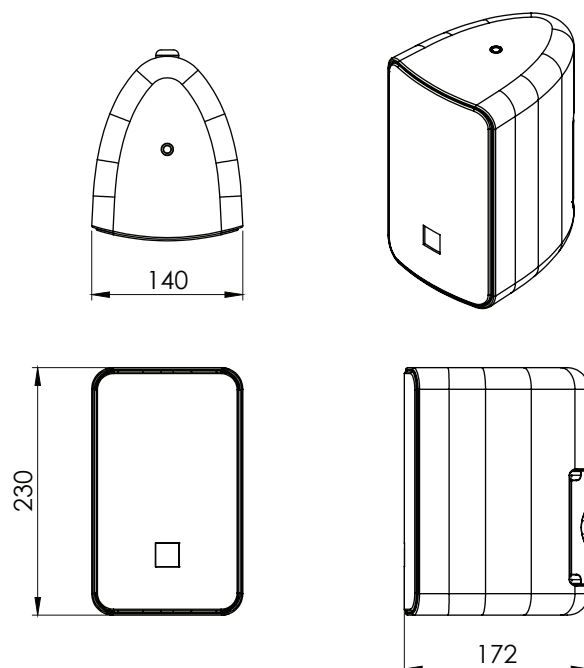
Devices marked with this symbol must not be disposed of as household waste. Contact your retailer or local authorities for more information.



T4 TECHNICAL SPECIFICATIONS

NEXT T4 TECHNICAL SPECIFICATIONS	
Speaker Type	2-Way Passive Speaker (100V)
Frequency Response	75Hz – 20kHz
Sensitivity (1W@1m)	88dB
Calculated Max. SPL (Cont/Peak)	104dB / 107dB (Full-Space)
Horizontal Coverage Angle (-6dB)	120°
Vertical Coverage Angle (-6dB)	90°
Components	LF: 1 x 4" Speaker
	HF: 1 x 0.8" Dome Tweeter
Rated Power	40W (RMS) / 80W (Program)
Nominal Impedance	16Ω
100V Transformer Taps	10W, 20W, 40W
Recommended Amplifier	Please consult your NEXT Audiocom Dealer
Connectors	4 Pins Screw Connector (IN/OUT)
Construction	Weatherproof Plastic Cabinet (IP65)
Grille	Acoustic Transparent Aluminum Grille
Dimensions (WxHxD)	140 x 230 x 172 mm
Net Weight	2.8kg
Shipping Quantity	2pcs
Shipping Weight	7kg

T4 DIMENSIONS

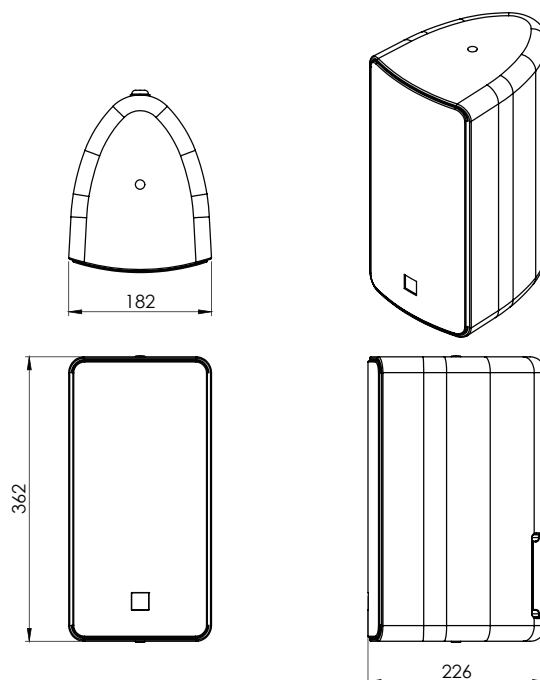


dimensions are in milimeters

T6 TECHNICAL SPECIFICATIONS

NEXT T6 TECHNICAL SPECIFICATIONS	
Speaker Type	2-Way Passive Speaker (100V)
Frequency Response	60Hz – 18kHz
Sensitivity (1W@1m)	89dB
Calculated Max. SPL (Cont/Peak)	108dB / 111dB (Full-Space)
Horizontal Coverage Angle (-6dB)	90°
Vertical Coverage Angle (-6dB)	60°
Components	LF: 1 x 6" Speaker
	HF: 1 x 1" Driver
Rated Power	80W (RMS) / 160W (Program)
Nominal Impedance	16Ω
100V Transformer Taps	20W, 40W, 80W
Recommended Amplifier	Please consult your NEXT Audiocom Dealer
Connectors	4 Pins Screw Connector (IN/OUT)
Construction	Weatherproof Plastic Cabinet (IP65)
Grille	Acoustic Transparent Aluminum Grille
Dimensions (WxHxD)	182 x 362 x 226 mm
Net Weight	6.5kg
Shipping Quantity	2pcs
Shipping Weight	15.6kg

T6 DIMENSIONS

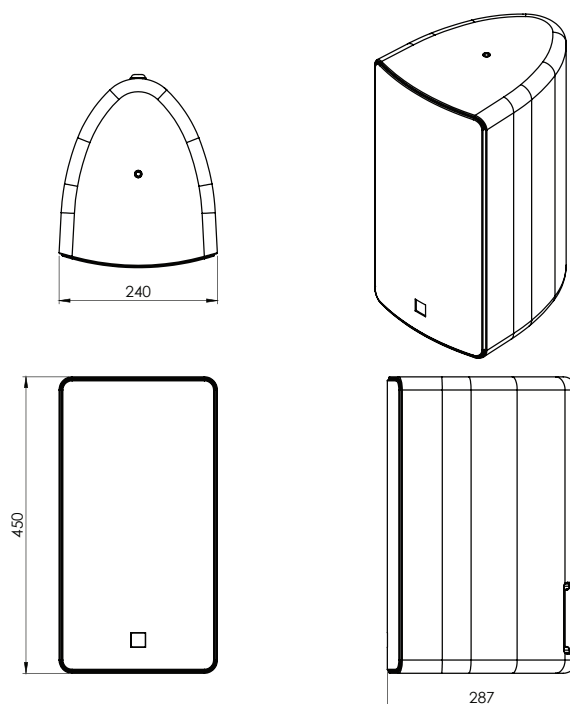


dimensions are in millimeters

T8 TECHNICAL SPECIFICATIONS

NEXT T8 TECHNICAL SPECIFICATIONS	
Speaker Type	2-Way Passive Speaker (100V)
Frequency Response	60Hz – 18kHz
Sensitivity (1W@1m)	94dB
Calculated Max. SPL (Cont/Peak)	116dB / 119dB (Full-Space)
Horizontal Coverage Angle (-6dB)	90°
Vertical Coverage Angle (-6dB)	50°
Components	LF: 1 x 8" Speaker
	HF: 1 x 1" Driver
Rated Power	150W (RMS) / 300W (Program)
Nominal Impedance	16Ω
100V Transformer Taps	37.5W, 75W, 150W
Recommended Amplifier	Please consult your NEXT Audiocom Dealer
Connectors	4 Pins Screw Connector (IN/OUT)
Construction	Weatherproof Plastic Cabinet (IP65)
Grille	Acoustic Transparent Aluminum Grille
Dimensions (WxHxD)	240 x 450 x 287 mm
Net Weight	10.7kg
Shipping Quantity	1pcs
Shipping Weight	12.2kg

T8 DIMENSIONS



dimensions are in millimeters

CONTACTS

In case of any doubts or any information just:

Write us:

NEXT Audiocom
Rua da Venda Nova, 295
4435-469 Rio Tinto
Portugal

Contact us:

Tel. +351 22 489 00 75
Fax. +351 22 480 50 97

Send an e-mail:

info@nextaudiocom.com

Search our website:

www.nextaudiocom.com

Follow us on:



Facebook: facebook.com/nextaudiocom



Instagram: instagram.com/next.audiocom

