

MLC Plus 84 EU

MEDIALINK PLUS CONTROLLER EU WALLPLATE

- ▶ Designed to mount in a two-gang European junction box
- ▶ Manage, monitor, and control AV devices using a standard Ethernet network
- ▶ Fully configurable using Global Configurator Plus or Global Configurator Professional
- ▶ Two bidirectional RS-232 ports
- ▶ Two relays for controlling room functions
- ▶ One IR port for connecting up to two emitters
- ▶ Remote volume control port for Extron MPA Series and select XTRA™ Series amplifiers
- ▶ Volume control knob with LEDs for visual feedback
- ▶ Supports Ethernet-controllable devices
- ▶ Customizable backlit buttons
- ▶ Supports Power over Ethernet
- ▶ PoE injector or power supply sold separately



The MLC Plus 84 EU is an easy-to-use, two-gang Ethernet controller that controls common AV functions such as power, input selection, and volume. As part of the new MediaLink® Plus Series, the MLC Plus 84 EU is designed with more powerful features and enhanced security. It supports Ethernet control of a wide range of AV devices and features a variety of ports and inputs, including a remote volume control port for use with select Extron amplifiers. The MLC Plus 84 EU mounts in a two-gang size European junction box.



Extron Electronics
INTERFACING, SWITCHING AND CONTROL

DESCRIPTION

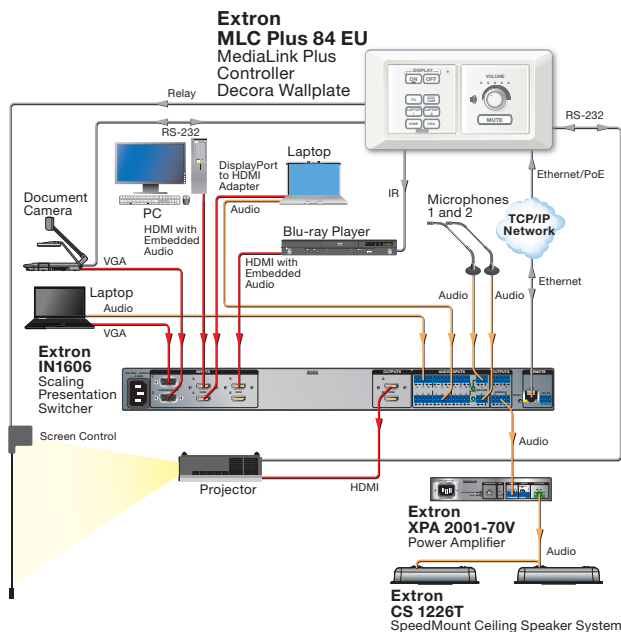
The **MLC Plus 84 EU** is an easy-to-use, two-gang Ethernet controller designed for use in single display AV systems. It features nine backlit soft touch buttons, a volume control knob with LED indicator, two bidirectional serial ports, an IR port, two relays, one digital input, and a remote volume control port. Power over Ethernet allows the controller to receive power and control over a single Ethernet cable, eliminating the need for a local power supply.

The MLC Plus 84 EU is configured using Extron GC Plus or GC Pro software. It also integrates seamlessly with Extron's award-winning GlobalViewer® Enterprise software for complete AV resource monitoring, management, and control over a computer network. The Extron Control App and Extron Control for Web is supported by this controller if a secondary point of control is required.

KEY FEATURES

- ▶ Ethernet monitoring and control
- ▶ Two bidirectional RS-232 ports
- ▶ Two relays for controlling room functions
- ▶ Remote volume control port for Extron MPA Series and select XTRA™ Series amplifiers
- ▶ One Digital input
- ▶ Supports Power over Ethernet
- ▶ Supports Ethernet-controllable devices

APPLICATION DIAGRAM



SPECIFICATIONS

MEMORY		
Flash	512 MB	
SOFTWARE AND CONTROL OPTIONS		
Software	Extron Global Configurator Plus and Professional for Windows®	
Control options	GlobalViewer®, MediaLink for iPad®	
ETHERNET CONTROL		
Connector	1 female RJ-45 connector	
Data rate	10/100/1000Base-T, half/full duplex with autodetect	
SERIAL CONTROL		
Quantity/type	2 bidirectional RS-232	
DIGITAL INPUT CONTROL		
Quantity/type	1 digital input	
IR CONTROL		
Quantity/type	1 TTL level (0 to 5 V) infrared (carrier and non-carrier) up to 300 kHz	
RELAY CONTROL		
Quantity/type	2 normally open relays	
VOLUME CONTROL		
Quantity/type	1 volume control	
Control voltage output range	0 to +10 VDC (±0.2 volts), adjustable	
GENERAL		
Power supply	Not included	
Power input requirements	12 VDC, 1 A, 12 watts, max. Or power over Ethernet (PoE) (complies with PoE 802.3af, class 3)	
Enclosure dimensions		
Faceplate	3.2" H x 6.0" W x 0.4" D (8.1 cm H x 15.2 cm W x 1.1 cm D)	
Device	1.9" H x 4.4" W x 1.6" D (4.8 cm H x 11.2 cm W x 4.0 cm D) (Depth excludes buttons. Fits many 2 gang EU junction boxes. Allow at least 1.6" [4.0 cm] depth in the wall or furniture.)	
Product weight	0.5 lbs (0.2 kg)	
Regulatory compliance		
Safety	CE, c-UL, UL	
EMI/EMC	CE, C-tick, FCC Class A, ICES, VCCI	
Environmental	Complies with the appropriate requirements of RoHS, WEEE	
Accessibility	Complies with the appropriate requirements of Section 508 of the Rehabilitation Act (29 U.S.C. 794d).	
Warranty	3 years parts and labor	
Model	Version Description	Part number
MLC Plus 84 EU	White - EU Wallplate	60-1354-33
Optional Accessories		
XTP PI 100	Single Port Power Injector	60-1233-01
PS 1210 C	12V, 1A, Captive Screw Connector	70-775-01

For complete specifications, please go to www.extron.com
Specifications are subject to change without notice.

WORLDWIDE SALES OFFICES

Anaheim • Raleigh • Silicon Valley • Dallas • New York • Washington, DC • Toronto • Mexico City • Paris • London • Frankfurt
Stockholm • Amersfoort • Moscow • Dubai • Johannesburg • Tel Aviv • Sydney • Melbourne • New Delhi • Bangalore
Singapore • Seoul • Shanghai • Beijing • Hong Kong • Tokyo

www.extron.com