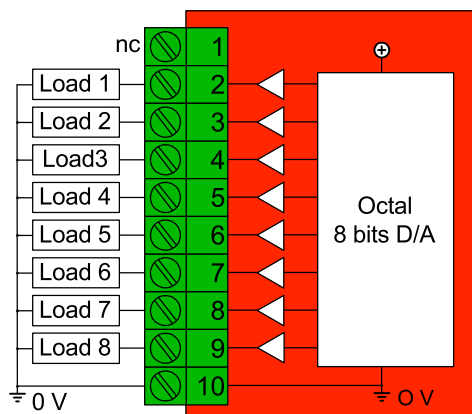




# A08DA Card

The **A**nalog **O**utput **8** channel **D**igital to **A**nalog converter card provides connections for 8 analog outputs. Main applications: CV generation, 0-10V Dimmers, Motor control, ...

- DAC resolution: 8 bits
- Output voltage range: 0 -10 VDC
- Maximum current driver: 4 mA/channel
- Protection short circuit: Indefinitely
- Overvoltage protection:  $\pm 30$  V



**Kiss-Box Europe (Main Office)**

Westerdoksdiijk 679 1013 BX Amsterdam The Netherlands-EEC

+31 20 6206212 +31 84 8339330 [www.kiss-box.com](http://www.kiss-box.com)