



CSF506

Ceiling speaker with fire dome 100V

Highlights:

- Multi-tapping 100V line transformer
- 5" full range driver
- Steel front grill with flame retardant materials
- Steel fire protection dome

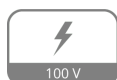
The CSF506/W is a fire-protected ceiling speaker with a 5" cone, capable of producing a power of 6 Watt. It ensures a good reproduction of speech and background music. It is fitted with a 100V line transformer with power taps for 6 Watt and 3 Watt to be used in large 100V PA systems. The speaker is equipped with a special steel fire protection dome fitted around the speaker and a steel front grill with flame-retardant materials. This provides fire protection according to the EN60849 standard. The MK2 version is painted in RAL9016, to harmonize the AUDAC ceiling speaker range we decided to bring out the CSF506/W variant in RAL9010.

Applications:

- Bars, restaurants
- Retail
- Hotels
- Public facilities
- Corporate spaces



Voltage:



System specifications:

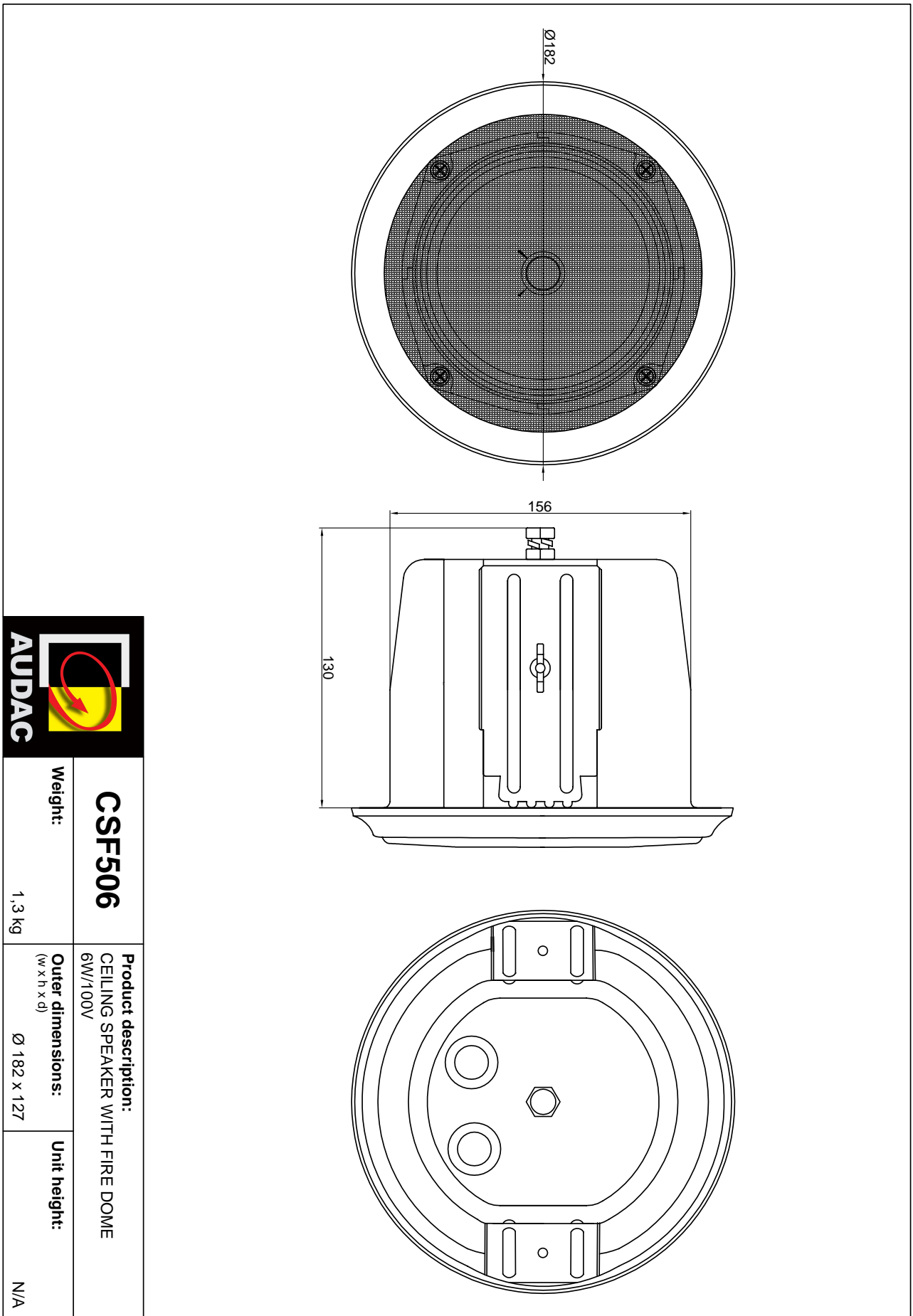
Speaker type		Broadband
Max. Power		10 W
RMS Power		6 W
Line Transformer Tappings	1	6 W / 1666 Ω
	2	3 W / 3333 Ω
Impedance		8 Ω
Frequency	Response (\pm 3 dB)	90 Hz - 18 kHz
Sound Pressure (Max. W/1m)		90 dB
Drivers		5"

Product Features:

Dimensions	180 x 127 mm (\emptyset x D)
Cut-out measurement	160 mm (\emptyset)
Weight	1.300 kg
Construction	Steel fire protection dome
Front finish	Steel with flame retardant materials

Variants:

- CSF506/W - White version - RAL9010



<p>CSF506</p>	<p>Product description: CEILING SPEAKER WITH FIRE DOME 6W/100V</p>	<p>Unit height: N/A</p>
<p>Weight: 1,3 kg</p>	<p>Outer dimensions: (w x h x d) $\varnothing 182 \times 127$</p>	