

DIWAC

Instruction manual

DIWAC manual



Introduction

Please read this manual before using the product in order to give you the necessary product and installation instructions to assure a seamless installation and non-compromised overall sound quality and functionality.

Thanks for purchasing our DIWAC Digital Wallmount Audio Controller.

Affordable, versatile, but by no means a compromise on functionality – Typically Apart!

Safety precautions

- Keep this manual for future reference.
- Take care of your connection wires, they should be free of damage. Damaged wires may result in poor performance or malfunctions and can cause damage to installations.
- Only use accessories specified by the manufacturer.
- No mains power shall be connected to the device, doing so will damage the unit.
- This device should only be serviced by qualified personnel. If not serviced by qualified personnel, warranty may be void.
- Please check the packing for any kind of damage upon reception of the goods. If the packing is

damaged, please contact your dealer before opening it.

- Please note that this unit must be protected from moisture and is meant for indoor use only.

Features and benefits

- Inconspicuous and elegant design
- Easy and foolproof 2-wire system
- Polarity-independent wiring system
- Phantom powered over the communication wire
- Industry standard in wall chassis dimensions
- Invisible mounting (no mounting tools required) of the main control unit on the wall chassis

- Hardwired addressing
- 2 x 12 characters white backlit LCD display
- Automatic power save function
- Preconfigured for immediate plug & play use on supported systems
- Functionality is reprogrammable via the master unit's graphical user interface
- For indoor use only

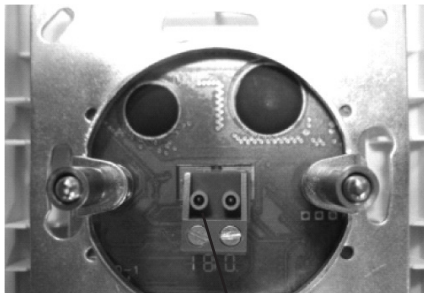
Connecting and installing the unit

Please power off your master unit before connecting the DIWAC. It is possible to use standard low voltage approved wires or cables such as standard CAT5 cables. The controller will be hardwired to a specific zone. The polarity of the wires does not matter. Do not connect more than one DIWAC unit on the same cable. This will cause malfunction and possible damage to your main unit and/or wall controller. Avoid thick solid wires, these will cause mechanical stress on the connectors and make installation difficult.

DIWAC fits into most standard in-wall boxes such as our E-MODIN and N-MODIN.

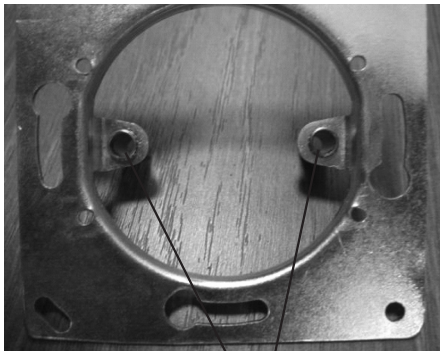
First, install the metal quick-fit frame in the in-wall box and connect the wires to the 2-pole connector.

The connector is not permanently fixed and can be easily disconnected from the controller. This makes installation a breeze.



Connect the wires here.

The controller is equipped with 4 mm pins that fit the metal mounting plate for easy installation.



the 4mm pins fit here.

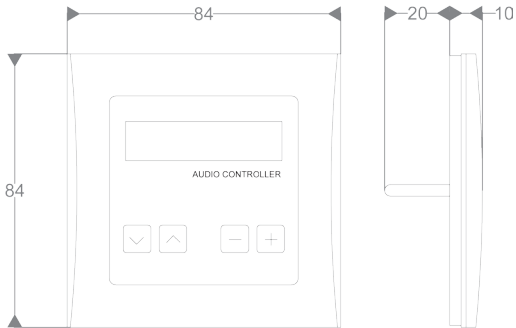
Using DIWAC

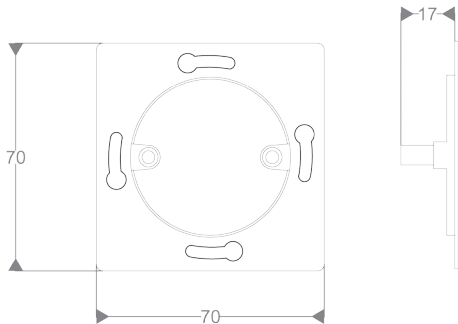
Out of the box, DIWAC has been factory pre-configured as an audio controller with these functions:

Selection of audio sources using the “SELECT” up and down buttons.

Selection of audio volume using the “VOLUME” up and down buttons.

In the graphic interface of your main unit, you are able to configure new functions. Consult the manual of your main unit for more details. DIWAC will only work with supported main units.





Specifications

Dimensions	83 x 83 x 9 mm
Cut-out dimensions	approx. 51 mm diameter or 51 x 51 mm minimally
Mounting depth	minimally 20 mm
Connectors	2-pole connectors up to 2.5 mm
Fits in	E-MODIN and N-MODIN
Weight	72 g including wall mount chassis
Power supply	24 VDC/110 mA max, phantom powered by main unit
Accessories	wall mount quick-fit chassis, 2-pole connector

developed

by

Audioprof nv

Industriepark Brechtsebaan 8 bus 1

2900 Schoten - Belgium

Company names, product names and trademarks are property
of their respective owners.

Apart-Audio specifications are subject to change without notice.

