

SHP510

Pendant loudspeaker

When sound rises above

ref 9758

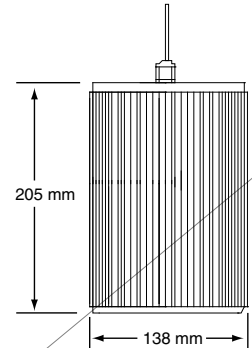


★★★★



★★★★★

- + Perfect for high ceilings
- + Concealed safety-rope
- + Easy installation
- + IP55 (dust and water protected)



SPECIFICATIONS

- Pendant loudspeaker
- RMS power output : 10 W
- Max power output : 18 W
- Power outputs : 2.5 W, 5 W ou 10 W
- 70/100 V
- Loudspeaker : 130 mm (5 ")
- Frequency response : 150 Hz – 15 kHz
- Sensitivity: >90 dB
- Material :White aluminium enclosure, white steel grille
- Fixation : Safety-rope inside the cable sheath
- Internal connector: waterproof cable gland
- IP level: IP55 (dust and water protected)
- Dimensions (Ø x D) : 138 x 205 mm
- Weight : 2.2 kg



INDOOR / OUTDOOR

The SHP and PHP sound projectors are as good indoor as outdoor. They feature an integral aluminium housing and can be installed and operated even in poor weather.

Their large housing make them perfect for vast open spaces.

PHP510

Surface mount loudspeaker

When music takes to the streets

ref 9759

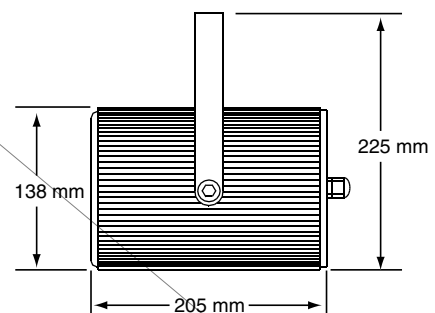


★★★★



★★★★★

- + Perfect for outdoor installations
- + New removable and orientable holding bracket
- + Easy installation
- + IP55 (dust and water protected)



SPECIFICATIONS

- Surface mount loudspeaker
- RMS power output : 10 W
- Max power output : 18 W
- Power outputs : 2,5 W, 5 W or 10 W
- 70/100 V
- Loudspeaker : 130 mm (5 ")
- Frequency response : 150 Hz – 14 kHz
- Sensitivity: >90 dB
- Material :White aluminium enclosure, white steel grille
- Fixation: Adjustable holding bracket
- Internal connector: waterproof cable gland
- IP level: IP55 (dust and water protected)
- Dimensions (Ø x D) : 138 x 205 mm
- Weight : 2.1 kg