



ADMIRAL
STAGING

Ergonomical space
saver

STAGEDECK DOLLY

Cost-effective and a time saver, our Stagedeck dolly allows you to efficiently transport up to six stage decks at once. With a width of 59 cm, you can place four dollies side-by-side in a truck. The stagedeck dolly comes in two versions, for 1 x 1 meter decks and 1 x 2 meter decks.



KEY FEATURES

Ergonomic design

The dolly is designed to allow stagedecks to be easily slid into place, thus preventing excess pressure on your back while loading the cart.

Two safety measures

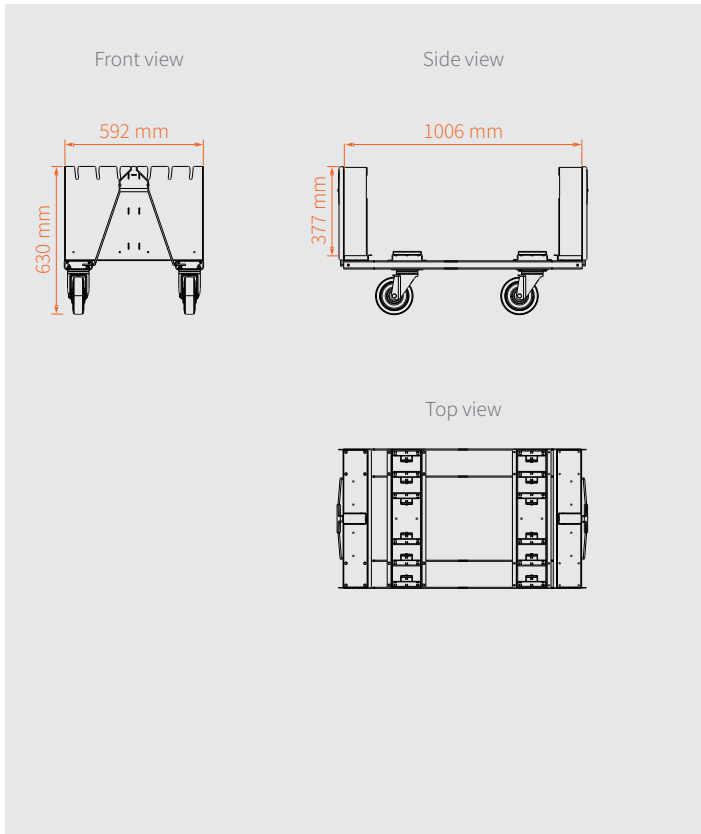
The locking bolt is the first safety measure to secure the decks, a lashing set ensures further safety during transport.

Easy to transport

Due to the compact design, the dollies do not take up a lot of space in a truck and they can also be easily lifted and moved.

www.admiralstaging.com

DIMENSIONS



TECHNICAL DATA

Stage deck dolly 1 mtr

Assembled:	yes	no
Article code:	WASWCD15	WASWCD25
EAN:	8720094425580	8720094425603
WLL:	220 kg	
Dimensions:	1006 x 592 x 630 mm (L x W x H)	
Weight:	36 kg	

Unassembled set WASWCD25 includes:

Stage Deck Dolly basic length profile set

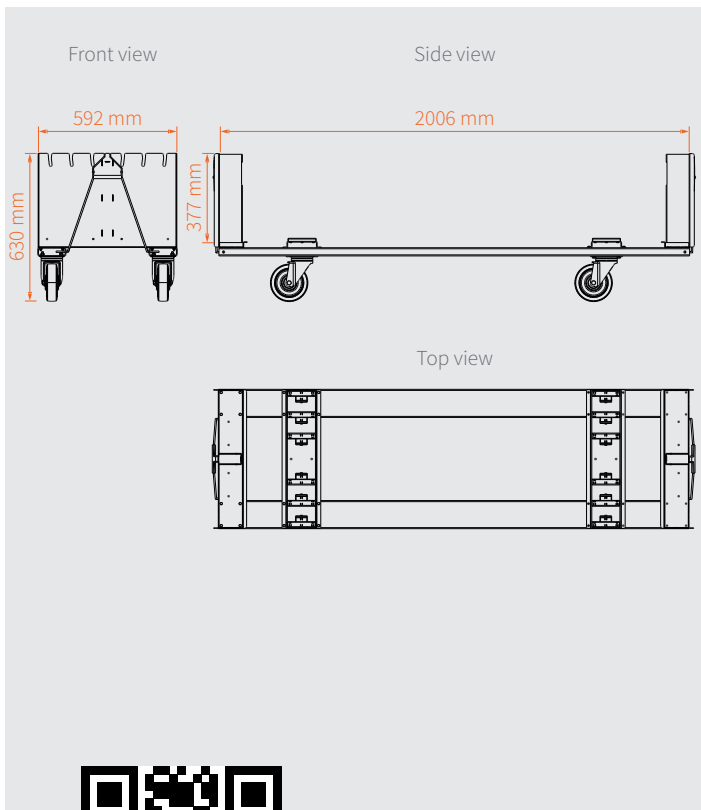
Article code:	ZESWB41
EAN:	8720094425986
Material:	galvanized steel
Weight:	10.5 kg

Stage deck dolly side and bottom panel set

Article code:	ZESWB40
EAN:	8720094425979
Material:	galvanized steel
Weight:	20.6 kg

4x Swivel castor 125 mm with brake

Article code:	ZEWACW24
---------------	----------



Stage deck dolly 2 mtr

Assembled:	yes	no
Article code:	WASWCD20	WASWCD30
EAN:	8720094425597	8720094425610
WLL:	220 kg	
Dimensions:	2006 x 592 x 630 mm (L x W x H)	
Weight:	46 kg	

Unassembled set WASWCD30 includes:

Stage Deck Dolly basic length profile set

Article code:	ZESWB42
EAN:	8720094425993
Material:	galvanized steel
Weight:	20.9 kg

Stage deck dolly side and bottom panel set

Article code:	ZESWB40
EAN:	8720094425979
Material:	galvanized steel
Weight:	20.6 kg

4x Swivel castor 125 mm with brake

Article code:	ZEWACW24
---------------	----------

