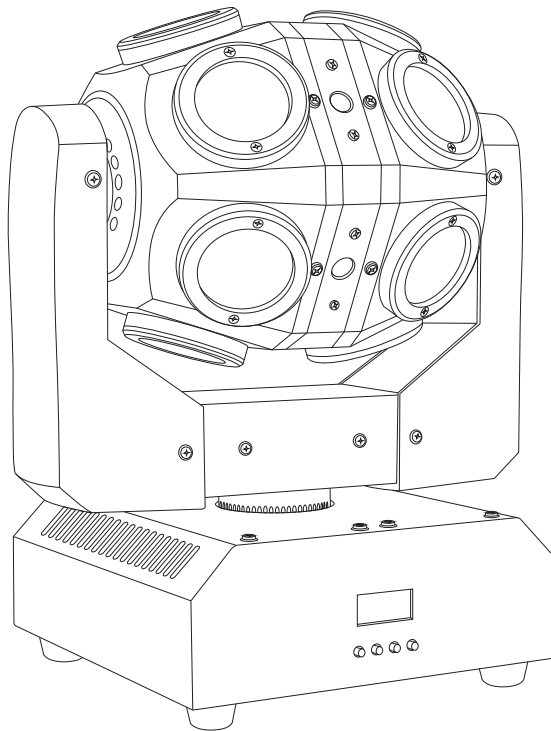




**ColorKey**  
creative lighting



# Kraken FX

CKU-1070

**USER MANUAL**

# Table of Contents

INTRODUCTION.....	3
SAFETY.....	3
SERVICE & SUPPORT .....	3
DISPLAY OPERATION.....	4
MENU GUIDE .....	5
DMX VALUES.....	6
SETUP & CONNECTIONS .....	9
TROUBLESHOOTING .....	9
TECHNICAL INFORMATION .....	10

*Please read these instructions carefully before use. Operating this fixture according to these instructions is important to avoid any possible damage or accidents caused by misuse.*

# Introduction

## Package Contents

- Kraken FX
- IEC Power Cable
- User Manual

## Safety

**Caution!** Opening this unit voids warranty. Contact ColorKey for any service requests.

**Warning!** To avoid electrical shock, be sure to disconnect power before any service or when moving or setting up the fixture.

**Caution!** Avoid direct eye exposure with the fixture when on.

- This fixture is for indoor use only.
- This fixture must be installed a minimum distance of 5 meters (16'4") away from any lighted objects.
- Do not install or operate this fixture near flammable materials.
- This device must be installed, operated, and maintained by a qualified professional.
- Please check if the voltage is in accordance with the rated power before installing.
- Do not operate this fixture if the power cord has been damaged. Turn off fixture and replace with a power cord of similar rating.

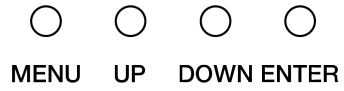
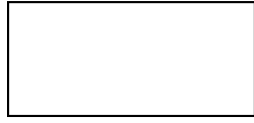
## Service & Support

Your ColorKey product includes a 2-year warranty. For technical support or to register your product, please visit <https://www.colorkeyled.com/support/>

You can also reach us by phone Monday thru Friday, 8:30am – 5pm PST at (818) 578-4030.



# Display Operation



- MENU: Access the menu/Scroll through menu options
- UP: Scroll through menu selection or increase parameter
- DOWN: Scroll through menu selection or parameters decrease
- ENTER: Open/Select the current menu option

# Menu Guide

<b>Menu Item</b>	<b>Values</b>	<b>Function</b>
<b>Addr</b>	1-512	Set DMX Address (001 to 512)
<b>ChNd</b>	6ch / 12ch	Select number of DMX Channels
<b>SLNd</b>	MAST, SL1,	Set for Master / Slave
<b>Auto</b>	SP(1-9)	Adjust Auto Effects speed
<b>Soun</b>	So(1-2)	Set Sound Sensitivity Adjustments in Auto Mode
<b>SEnS</b>	SE(99-0)	Sound - Controlled Mode
<b>LEd</b>	On , Off	Display on or off
<b>DiSP</b>	dSip	Display setting
<b>uEr</b>	v10	Software Version
<b>rSet</b>	-	Reset

# DMX Values

## 6 channels mode

Channel	Value	Function
1	0-255	Dimmer
2	0-7	Open
	8-255	Strobe (Slow to Fast)
3	0-7	No Function
	8-22	Movement 1
	23-37	Movement 2
	38-52	Movement 3
	53-67	Movement 4
	68-82	Movement 5
	83-97	Movement 6
	98-112	Movement 7
	113-127	Movement 8
	128-142	Movement 9
	143-157	Movement 10
	158-172	Movement 11
	173-187	Movement 12
	188-202	Movement 13
	203-217	Movement 14
	218-232	Movement 15
233-247	Movement 16	
248-255	Sound Active Mode	
4	0-255	Movement Speed
5	0-14	No Function
	15-35	Chase 1
	36-56	Chase 2
	57-77	Chase 3
	78-97	Chase 4
	98-117	Chase 5
	118-138	Chase 6
	139-159	Chase 7
	160-179	Chase 8
	180-200	Chase 9
	201-220	Chase 10
	221-241	Chase 11
242-255	Chase 12	
6	0-255	Chase Speed

**10 channels mode**

<b>Channel</b>	<b>Value</b>	<b>Function</b>
1	0-255	Dimmer
2	0-7	Open
	8-255	Strobe (Slow to Fast)
3	0-255	Pan
4	0-255	Pan Speed
5	0-255	Tilt1
6	0-5	Stop
	6-126	Tilt Rotate Forward (Fast to Slow)
	127-128	Stop
	129-249	Tilt Rotate Forward (Slow to Fast)
	250-255	Stop
7	0-7	Color 1 Off
	8-24	Color 1 Red
	25-41	Color 1 Green
	42-57	Color 1 Blue
	58-74	Color 1 White
	75-90	Color 1 Red + Green
	91-107	Color 1 Red + Blue
	108-123	Color 1 Red + White
	124-140	Color 1 Green + Blue
	141-156	Color 1 Green + White
	157-173	Color 1 Blue + White
	174-189	Color 1 Red + Green + Blue
	190-206	Color 1 Red + Green + White
	207-222	Color 1 Red + Blue + White
	223-239	Color 1 Green + Blue + White
240-255	Color 1 Red + Green + Blue + White	
8	0-7	Color 2 Off
	8-24	Color 2 Red
	25-41	Color 2 Green
	42-57	Color 2 Blue
	58-74	Color 2 White
	75-90	Color 2 Red + Green
	91-107	Color 2 Red + Blue
	108-123	Color 2 Red + White
	124-140	Color 2 Green + Blue
	141-156	Color 2 Green + White
	157-173	Color 2 Blue + White
	174-189	Color 2 Red + Green + Blue

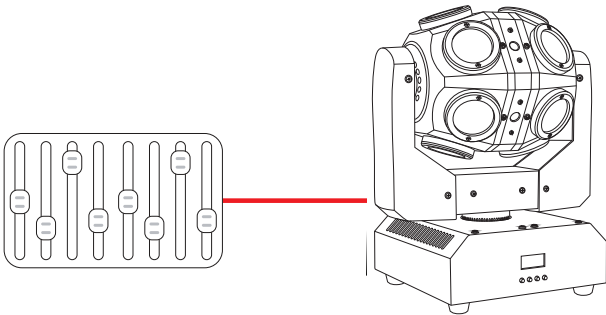
	190-206	Color 2 Red + Green + White
	207-222	Color 2 Red + Blue + White
	223-239	Color 2 Green + Blue + White
	240-255	Color 2 Red + Green + Blue + White
<b>9</b>	0-255	Dimmer (Center LED's)
<b>10</b>	0-199	No Function
	200-209	Reset
	210-255	No Function



# Setup & Connections

## ① Wired DMX Cable Connections

Use a DMX to cable to connect to the in/out sockets on the bottom of the light for use with a cabled connection with DMX 512 control.



# Troubleshooting

Problem	Solutions
No DMX control	<ul style="list-style-type: none"><li>• Confirm cable is connected securely to both fixture and controller</li></ul>
Fixture does not respond to sound	<ul style="list-style-type: none"><li>• Make sure the fixture is in Sound Active mode.</li></ul>

# Technical Information

- 7x10W RGBW 4-in-1 CREE LEDs
- DMX Channel Modes: 6 / 10 channels
- Control modes: DMX 512, Master /Slave, Sound Active, Stand Alone
- 0-100% Dimmer
- Working temperature: up to 40°C
- Power consumption: 80W
- Power supply: AC110-240V;50-60Hz
- Product size: 11.1 x 8.1 x 7.8 in
- Net Weight: 9.1lbs

**Please note:** As we continue to work towards improving our products and your experience as a user, we recommend that you check our website periodically for updates to user manuals and specifications at [www.ColorKeyLED.com](http://www.ColorKeyLED.com) or you may contact us directly at [info@colorkeyled.com](mailto:info@colorkeyled.com).