

System Design Guide for Audio Installation

Conference Rooms /
Classrooms / Auditoriums

Amusement Facilities
and Theaters

Commercial Facilities
(Hotels and Banquet Halls / Retail)

Broadcasting Stations
and Studios

Live Streaming

Main Products Info
Index

Integrator Concepts, Systems, and Solutions

System Design Guide for Installations

Introduction

Due to the evolution of technology, AV installations with new levels of sophistication and flexibility have emerged.


The evolution of video, lighting and network technologies has created new systems and services with maximum versatility, a productive user experience, and premium audio quality. Because of this, proper technical knowledge and a solution-based approach is becoming more essential for both system engineers and sales consultants to provide customers a creative and successful solution with the best quality. TASCAM produced this design guide to meet such needs, and to visually present project proposals more clearly by illustrating system examples based on application or project type.

TEAC CORPORATION







Table of Contents









1. Conference Rooms / Classrooms / Auditoriums

1-1	AV System for Small-mid Scale Conference Rooms	4	
1-2	Sound System for Conference Rooms	5	
1-3	Multi-channel Recording System for Parliament Conferences	6	
1-4	Audio-visual Room System	7	
1-5	Sound System for Auditoriums / Gymnasiums	8	
	Case Study	9	




2. Commercial Facilities (Hotels and Banquet Halls / Retail)

2-1	Sound System for Banquet Halls, Lectures and Conferences	10	
2-2	System for Multi-purpose Banquet Halls	11	
2-3-1	Sound System for Banquet Halls and Lectures Using Dante (Input)	12	
2-3-2	Sound System for Banquet Halls and Lectures Using Dante (Output)	13	
2-4	Sound System for Retail Stores	14	
2-5	All-in-one Amplification System for Small-scale Stores	15	
2-6	PA System for Waiting Rooms	16	
2-7	BGM / Announcement Playback System for Area Division in Shopping Malls, etc.	17	
2-8	BGM System for Restaurants	18	
2-9	BGM System for Restaurants	19	
2-10	BGM System for Small Shops Using Dante	20	


3. Amusement Facilities and Theaters

3-1	Multi-sound Playback System	21	
3-2	PA Wireless Mic System for Theaters Using Dante	22	
3-3	Fixed Installations for Halls	23	
3-4	SR System for Music Venues Using Dante	24	
3-5	96kHz Live SR/Recording System Using a FOH and Monitor Console	25	
3-6	AB-roll and Multi-track Playback in Theaters	26	
3-7	DAW Live Recording and Backup Recording System	27	
3-8	Video Sync Multi-playback	28	
	Case Study	29, 30	

4. Broadcasting Stations and Studios

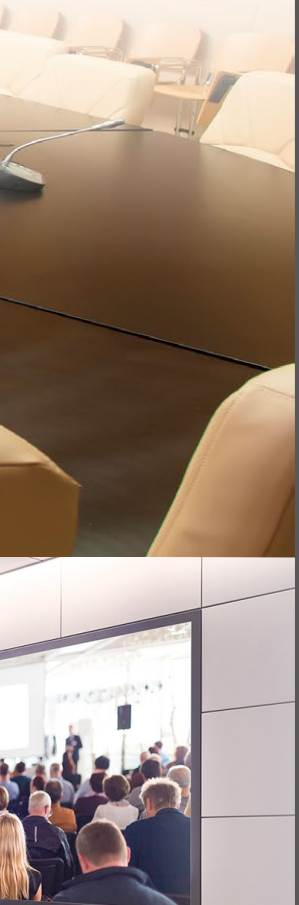
4-1	Inter-room Talkback System Between the Master Room and Studio	31	
4-2	Audio System for Radio Studios	32	
4-3	Audio System for Small-mid TV Studios	33	
4-4	TV Relay System	34	
4-5	Recording of Radio Programs	35	
4-6	Video Content Audition in Post-production Studios	36	
	Case Study	37, 38	

5. Live Streaming

5-1	Simple Streaming System for Concerts & Events	39	
5-2	Live Streaming/Multi-track Recording Using an iOS Device	40	
5-3	Audio System for VTubers, Game-play and IRL Events	41	
5-4	Live Internet Streaming of Audio Programs/Podcasts	42	
5-5	Live Music Streaming/Archiving	43	
	Case Study	44, 45	

6. Main Products Information / Index

	Main Product Information	46	
	Index	47	



1-1 AV System for Small-mid Scale Conference Rooms

Space-saving

Adjustable Sound via DSP

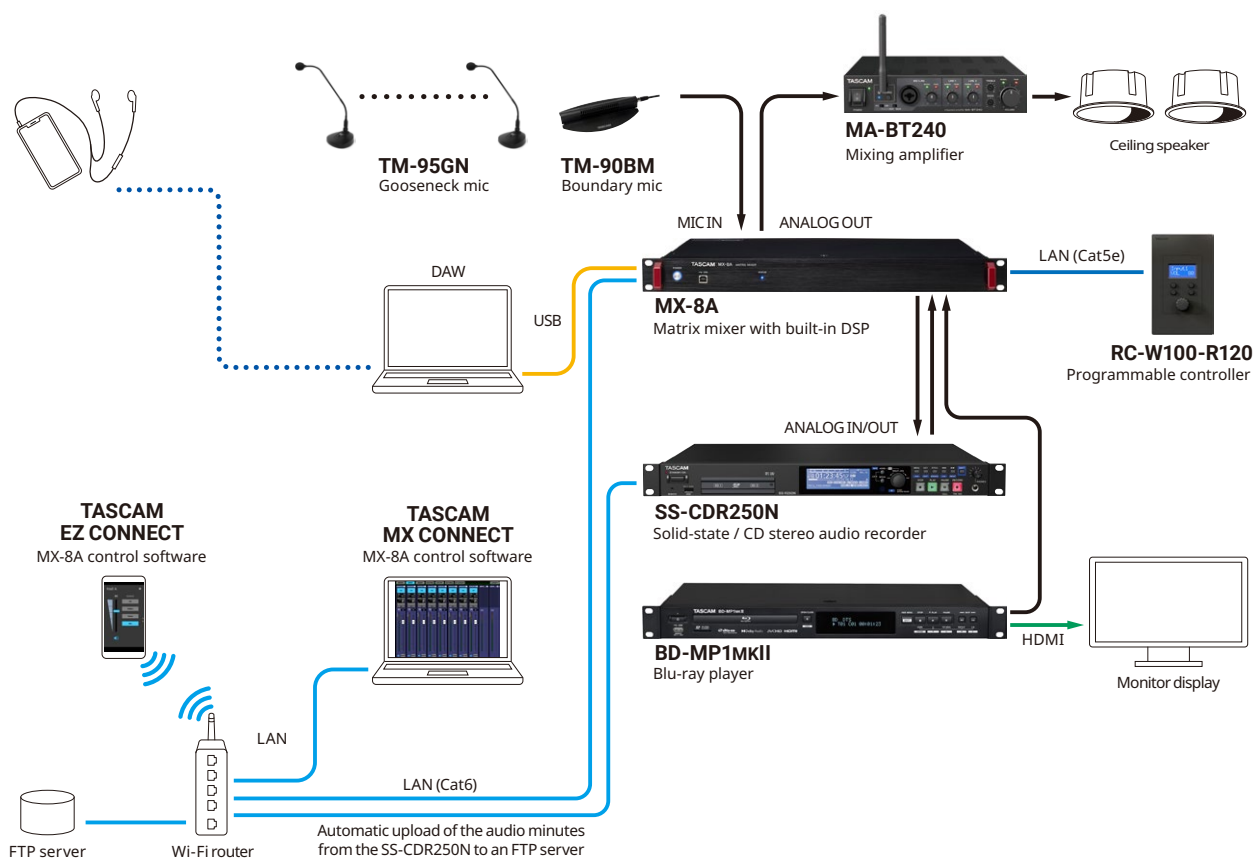
Easy Smartphone Control

This system uses the MX-8A to manage microphones and signal flow used in a conference room. Sound and microphone levels in the room can be efficiently adjusted through the TASCAM MX CONNECT control software, or the TASCAM EZ CONNECT control app which allows easy volume control and source selection for the entire room.

The MX-8A includes a 2-in/2-out USB audio interface, allowing recording to or playback from connected PCs.

The SS-CDR250N offers automatic uploading of the recorded data to FTP servers and is also suitable for archiving each conference audio minutes or as a centralized data management console.

System Diagram



TASCAM Equipment Installed

Product Outline	Model Name	Remarks
8 in / 8 out matrix mixer with built-in DSP	MX-8A	
Wall-mount programmable controller	RC-W100	
Control software for system integrators / managers	TASCAM MX CONNECT	
Control software for end-users	TASCAM EZ CONNECT	
Solid state / CD stereo audio recorder / player	SS-CDR250N	
Blu-ray™ player	BD-MP1MKII	
High and low impedance mixing amplifier with microphone input and Bluetooth®	MA-BT240	
Gooseneck condenser microphone	TM-95GN	
Boundary condenser microphone	TM-90BM	

1-2 Sound System for Conference Rooms

Multi-person
Mic Control

Individual Speaker
Recording

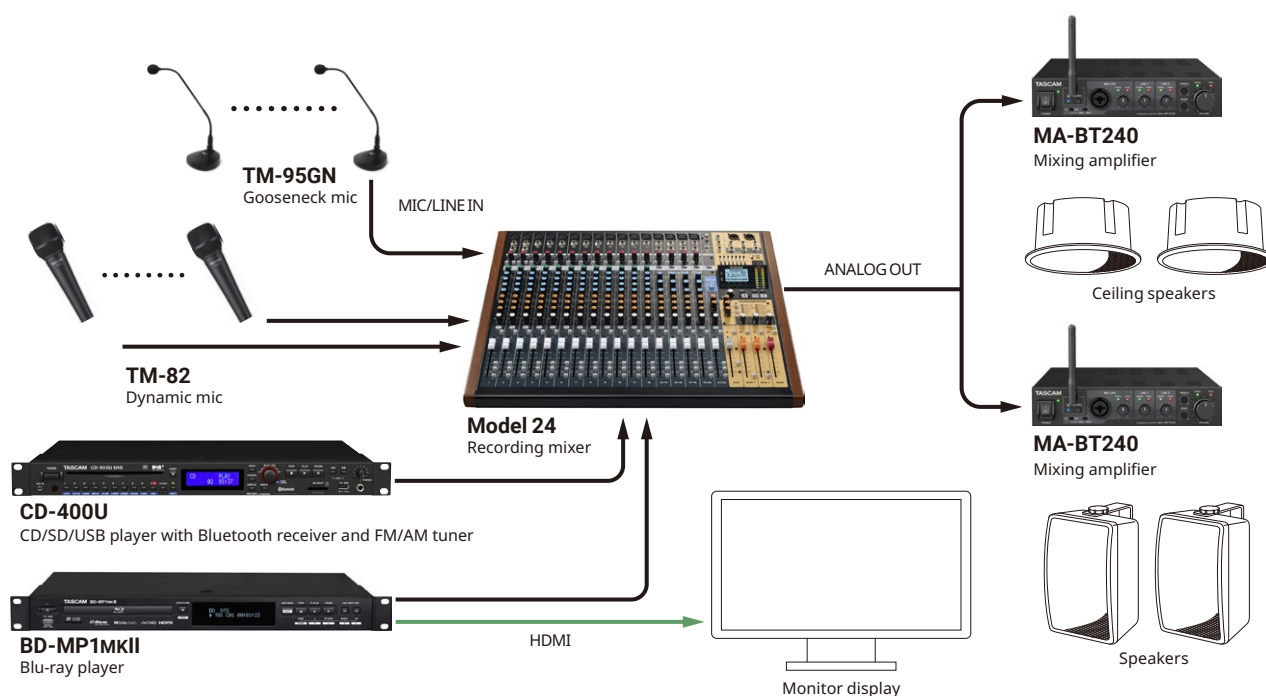
DAW
Compatibility

For larger conference systems where loudspeakers are installed and each attendee has an individual microphone, a mixer that supports multiple mic input connections like Model 24 is required.

Model 24's 16 mic preamps support up to 16 microphones and has the capability to work as a multi-track recorder or as a USB audio interface.

Used as a multi-track recorder, each audio channel is recorded on a separate track, allowing easy recording down of each attendee's voice by recording their respective input channel.

System Diagram



TASCAM Equipment Installed

Product Outline	Model Name	Remarks
24 track recording mixer	Model 24	
CD/SD/USB player with Bluetooth® receiver and FM/AM tuner	CD-400U	
Blu-ray™ player	BD-MP1MKII	
High and low impedance mixing amplifier with microphone input and Bluetooth®	MA-BT240	
Gooseneck condenser microphone	TM-95GN	
Dynamic microphone	TM-82	

1-3 Multi-channel Recording System for Parliament Conferences

Less Wiring and Installation Procedures

Long-distance Audio Transmission

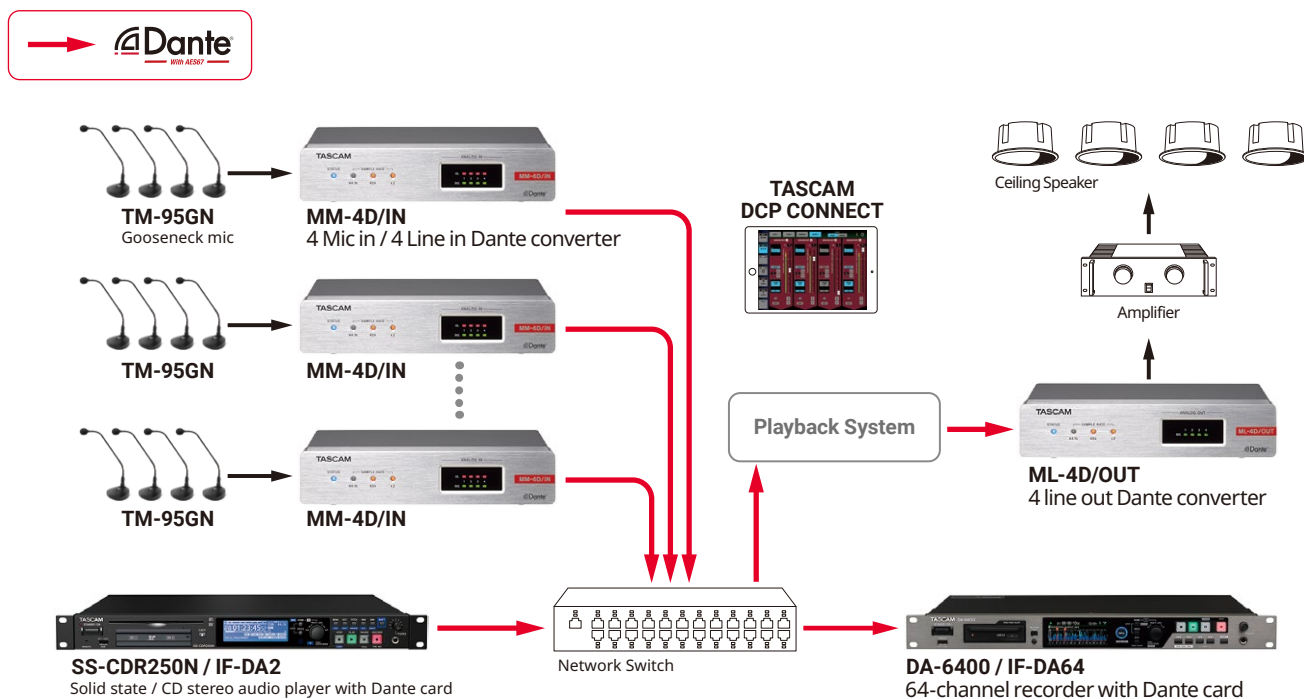
Individual Recording

This conference recording system is optimal for large-scale conferences in which each participant requires individual microphones. The MM-4D/IN Dante converter allows the connection of up to 4 microphones per unit; after audio is converted to Dante signals, they can be transmitted long distances using standard cat 5 cables, requiring less wiring and installation procedures.

The built-in DSP functions in the MM-4D/IN, such as high pass filter and limiter, will enable fine adjustment for a more articulate voice audio quality.

In addition, routing signals via Dante will give users the option to do multi-channel recordings.

System Diagram



TASCAM Equipment Installed

Product Outline	Model Name	Remarks
4 mic in / 4 line in Dante converter with built-in DSP mixer	MM-4D/IN-X	
4 line out Dante converter with built-in DSP mixer	ML-4D/OUT-X	
DCP control software for system integrators / managers	TASCAM DCP CONNECT	
Control software for end-users	TASCAM EZ CONNECT	
DCP series dedicated AC adapter	PS-P1220E	
DCP series dedicated rackmount shelf	AK-RS1	
Solid state / CD stereo audio recorder / player	SS-CDR250N	
SS-CDR250N dedicated Dante interface card	IF-DA2	
64-channel digital multitrack recorder	DA-6400	
Dante Interface Card for DA-6400	IF-DA64	
Gooseneck condenser microphone	TM-95GN	

1-4 Audio-visual Room System

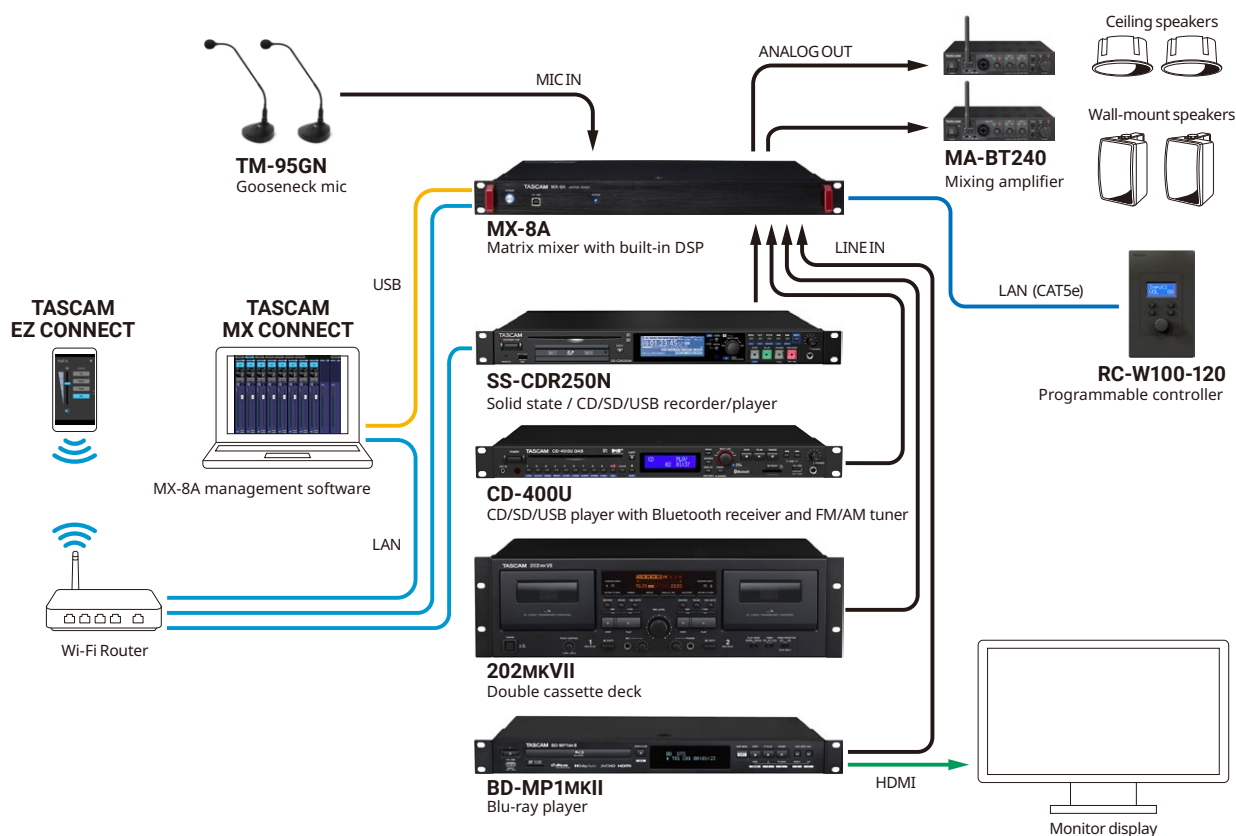
Blu-ray™

 Multi-media
 Playback

 Cassette Tape
 Playback

TASCAM's lineup of playback devices will flexibly support the playback of a variety of media sources brought to the room as teaching materials. The BD-MP1MKII serves for visual playback; BGM playback from CD, SD, USB, and Bluetooth can be easily done with the CD-400U; add cassette tape playback with the 202MKVII. In addition, the SS-CDR250N is suitable for archiving and managing data as it will record to CD/SD cards / USB flash drives and automatically upload the recorded data up to an FTP server of choice.

System Diagram



TASCAM Equipment Installed

Product Outline	Model Name	Remarks
8 in / 8 out matrix mixer with built-in DSP	MX-8A	
Control software for system integrators / managers	TASCAM MX CONNECT	
Control software for end-users	TASCAM EZ CONNECT	
Wall-mount programmable controller	RC-W100	
Solid state / CD/SD/USB recorder/player	SS-CDR250N	
CD/SD/USB player with Bluetooth® receiver and FM/AM tuner	CD-400U	
Double cassette deck	202MKVII	
Blu-ray™ player	BD-MP1MKII	
High and low impedance mixing amplifier with microphone input and Bluetooth®	MA-BT240	
Gooseneck condenser microphone	TM-95GN	

1-5 Sound System for Auditoriums / Gymnasiums

Flexible Connectivity

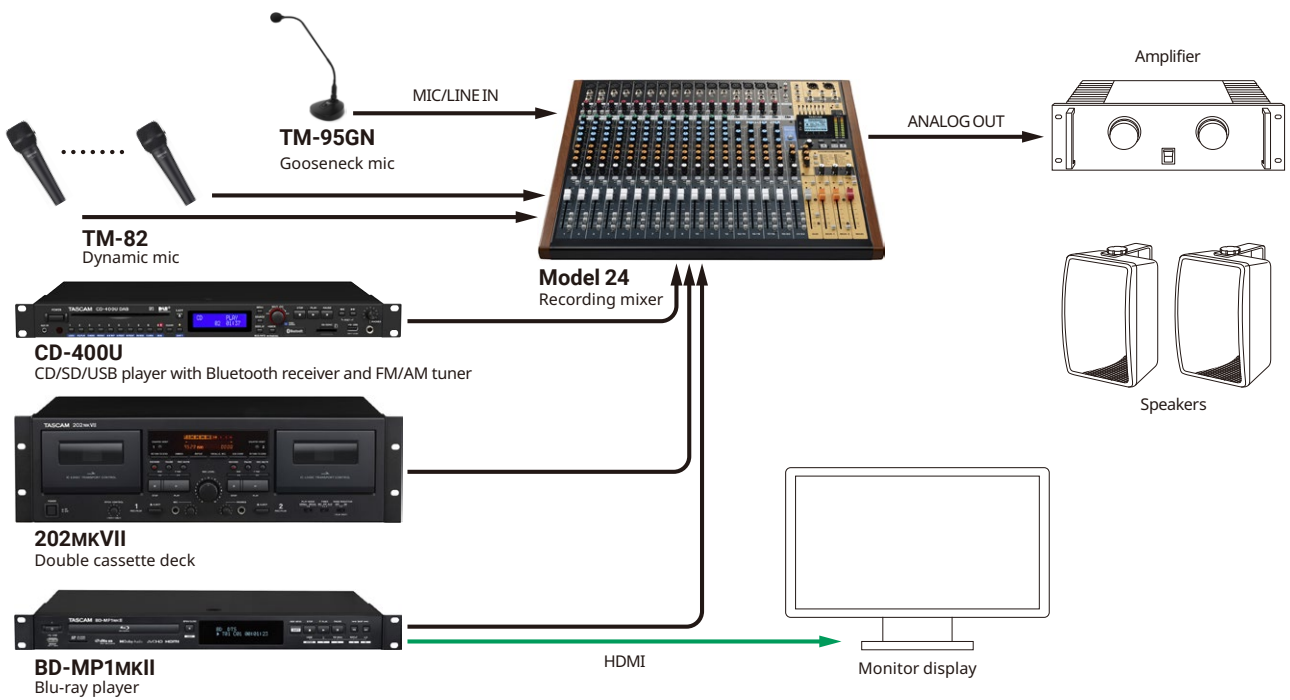
Speech and Recital Recording

Bluetooth Playback

The Model 24 multi-functional hybrid mixer is the optimal choice for acoustic systems in auditoriums, where assemblies, lectures and recitals are often held. Audio sources from microphones and playback devices can be flexibly routed to the 22-channel analog inputs that consist of 20 balanced inputs (12 mono, 4 stereo) and 1 unbalanced stereo input.

Model 24 will provide full and flexible connectivity for events like recitals and concerts in which multiple microphones are required, as well as wireless background music playback through the Bluetooth receiver included in the unit. In addition, Model 24's internal recording function also allows the recording of important speeches and recitals.

System Diagram



TASCAM Equipment Installed

Product Outline	Model Name	Remarks
24 track recording mixer	Model 24	
CD/SD/USB player with bluetooth® receiver and FM/AM tuner	CD-400U	
Double cassette deck	202MKVII	
Blu-ray™ player	BD-MP1MKII	
Gooseneck condenser microphone	TM-95GN	
Dynamic microphone	TM-82	

2-1 Sound System for Banquet Halls, Lectures and Conferences

Intuitive Controls

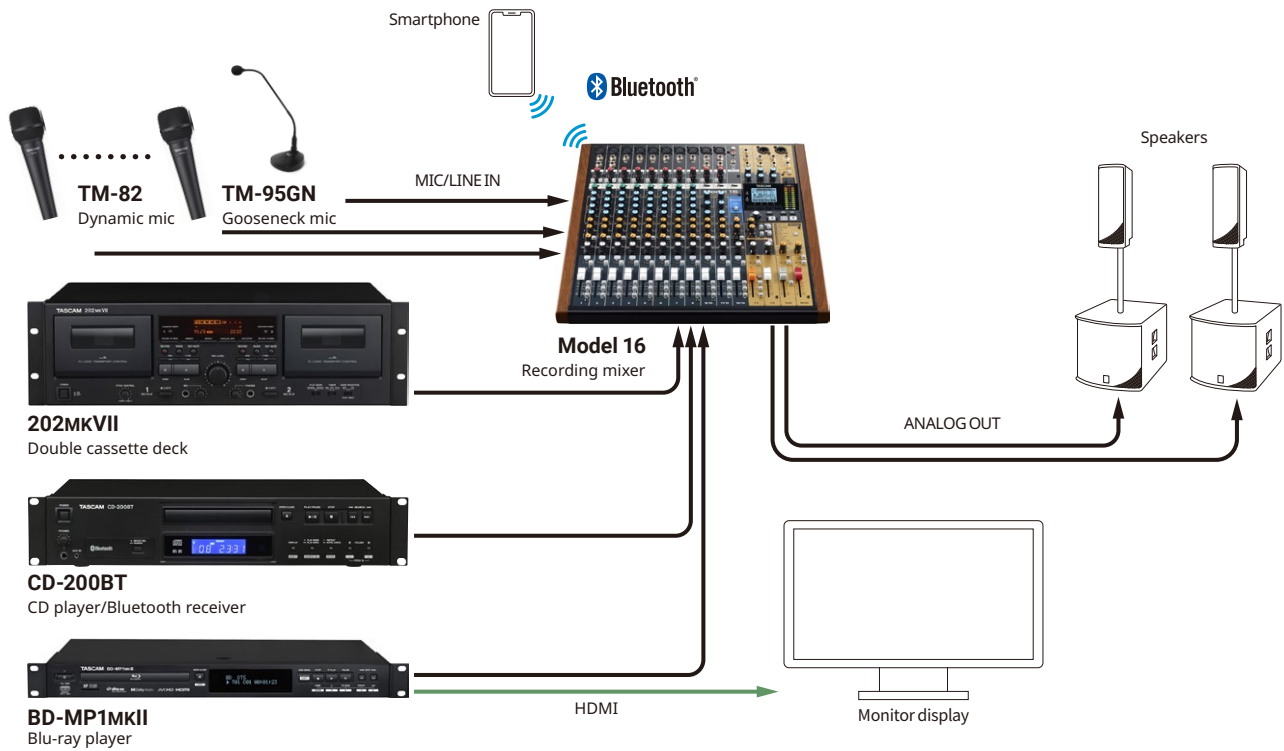
Speech & Sideshow Recording

Space-saving

The intuitive controls on the Model 16 analog mixer provide easy sound adjustment and operation for small banquet halls. Microphones and instruments as well as playback equipment can all be easily connected to the 14-channel analog inputs.

Smartphone or tablet sources can be wirelessly streamed with the integrated Bluetooth receiver. In addition, users can record speeches or live music performances with Model 16's multi-track recording function.

System Diagram



TASCAM Equipment Installed

Product Outline	Model Name	Remarks
16 track recording mixer	Model 16	
Double cassette deck	202MKVII	
CD player	CD-200BT	
Blu-ray™ player	BD-MP1MKII	
Dynamic microphone	TM-82	
Gooseneck condenser microphone	TM-95GN	

2-2 System for Multi-purpose Banquet Halls

Space-saving

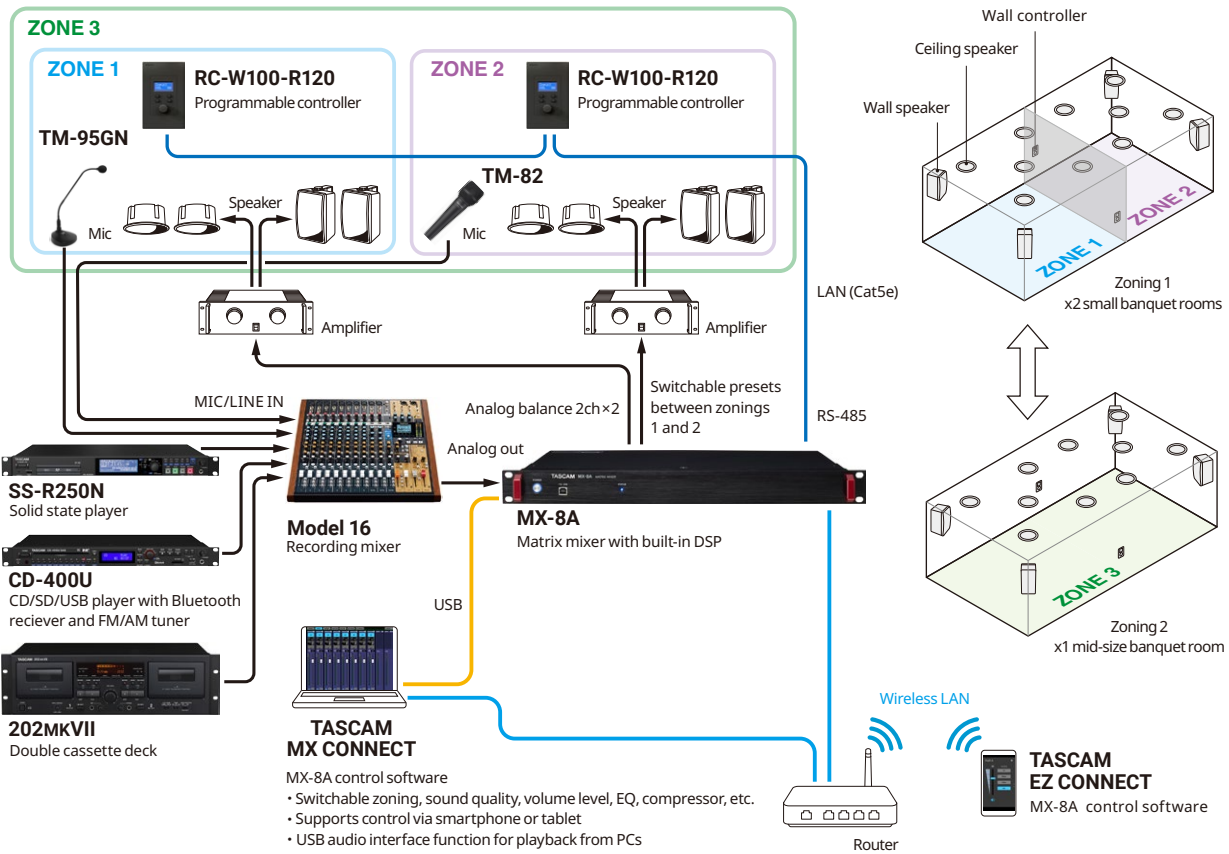
Sound Adjustment Per Area

Scene Preset

Multi-use banquet halls are commonly used for wedding receptions, banquets, conferences and more. Depending on the usage or the way these halls are divided, there is a variety of sound system requirements.

With the MX-8A, different sources and routing destinations can be registered to meet such configurations, allowing quick switching of sound system presets for quick adaptation to the environment and situation.

System Diagram



TASCAM Equipment Installed

Product Outline	Model Name	Remarks
8 in / 8 out matrix mixer with built-in DSP	MX-8A	
Wall-mount programmable controller	RC-W100	
Control software for system integrators / managers	TASCAM MX CONNECT	
Control software for end-users	TASCAM EZ CONNECT	
Recording mixer	Model 16	
Solid state / CD stereo audio recorder	SS-R250N	
CD/SD/USB player with Bluetooth® receiver and FM/AM tuner	CD-400U	
Double cassette deck	202MKVII	
Gooseneck condenser microphone	TM-95GN	
Dynamic microphone	TM-82	

2-3-1 Sound System for Banquet Halls and Lectures Using Dante (Input)

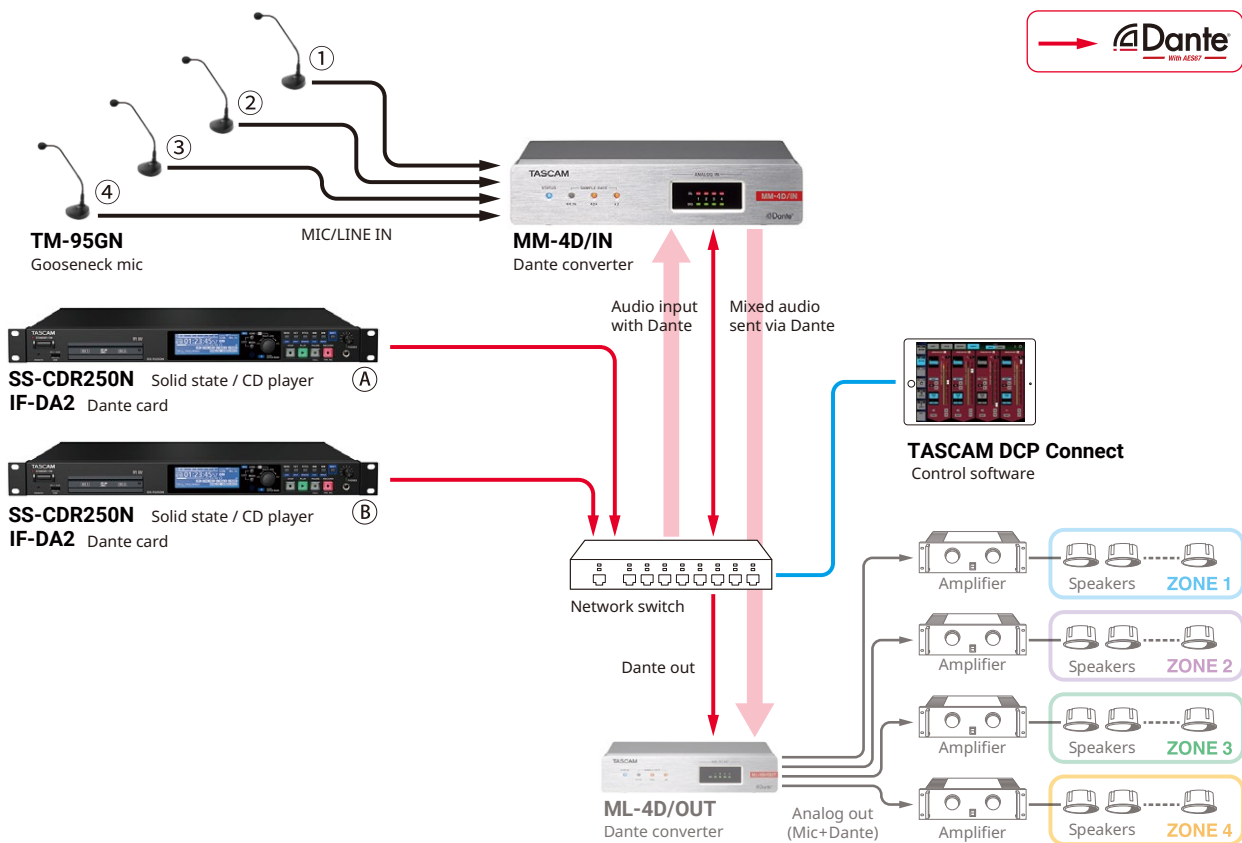
Space-saving

Intuitive Control

Long-distance Transmission

The MM-4D/IN Dante converter is the most compact and suitable unit for small-scale systems using Dante input. The MM-4D/IN can bring together four mic/line inputs and four channels of Dante input so system management of different floors or separate buildings is possible as the mixed audio is sent via Dante.

System Diagram



TASCAM Equipment Installed

Product Outline	Model Name	Remarks
4ch Mic/Line input Dante converter with built-in DSP mixer	MM-4D/IN	
AC adapter	PS-P1220E	Not required if using a PoE switching hub
Rackmount shelf	AK-RS1	
Solid state / CD stereo audio recorder / player	SS-CDR250N	
Dante interface card	IF-DA2	
Gooseneck condenser microphone	TM-95GN	
Control software	TASCAM DCP Connect	

2-3-2 Sound System for Banquet Halls and Lectures Using Dante (Output)

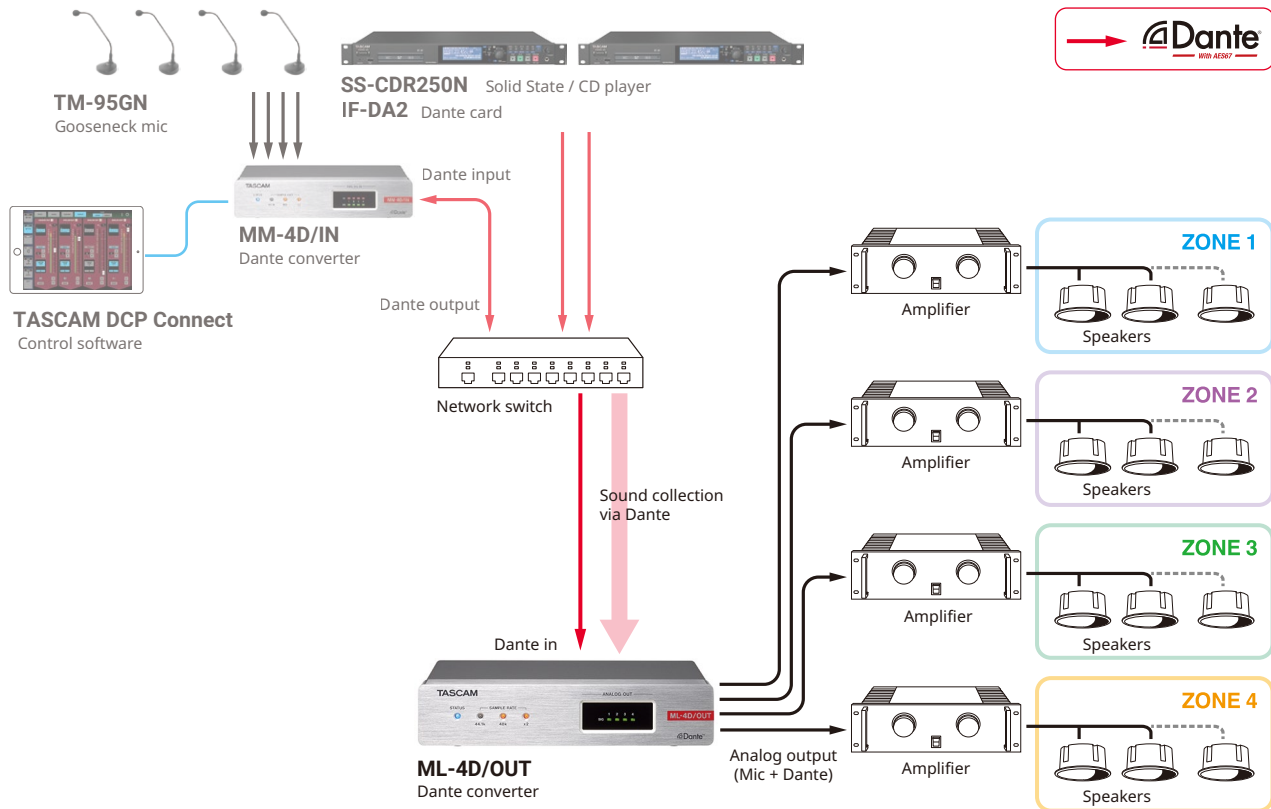
Space-saving

Intuitive Control

Individual Area Adjustment

The Dante converter MM-4D/OUT is suitable for constructing a sound system for banquet halls where applications and area classifications change daily. The ML-4D/OUT collects the audio sources via Dante and sends it out to four analog channels at separate volumes. Each output is also equipped with a DSP including a 10-band parametric EQ and limiter.

System Diagram



TASCAM Equipment Installed

Product Outline	Model Name	Remarks
4 line out Dante converter with built-in DSP mixer	ML-4D/OUT-X	
AC adapter	PS-P1220E	Not required if using a PoE switching hub
Rackmount shelf	AK-RS1	
Control software	TASCAM DCP CONNECT	

2-4 Sound System for Retail Stores

Individual Zone Playback

Bluetooth Playback

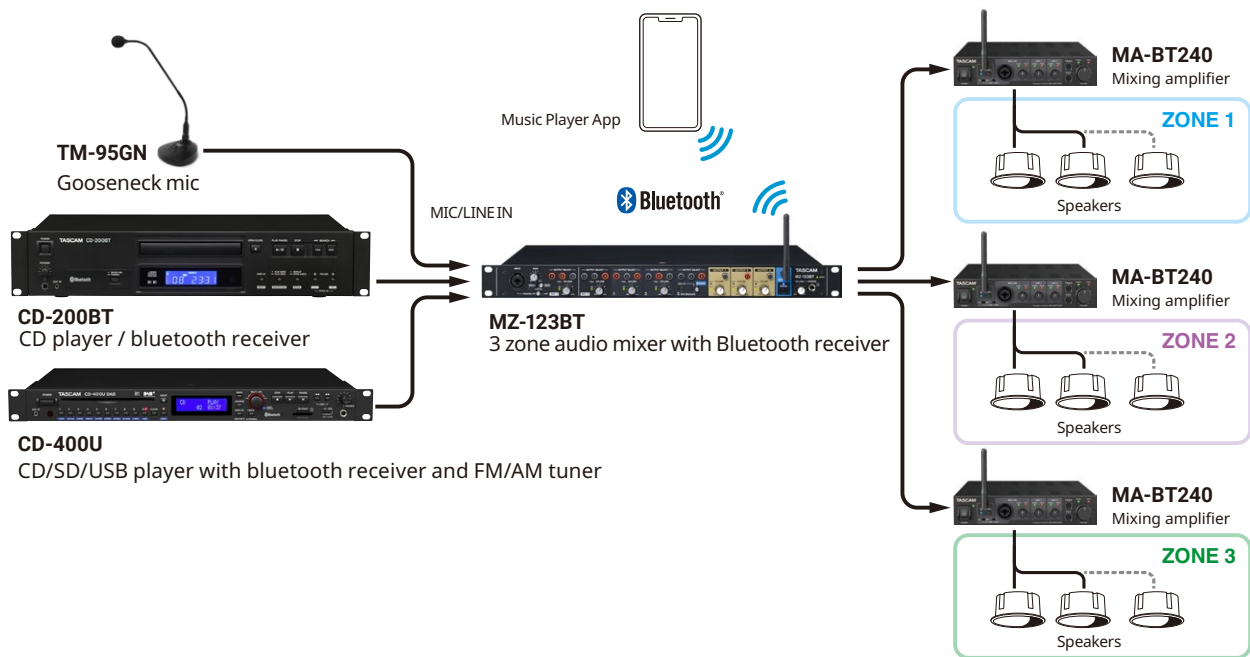
Clear Audio Announcements

Background music sources can be assigned individually to each of the 3 independent zone outputs of the MZ-123BT, allowing different background music to play in separate areas of a retail store.

Music sources can be played by connecting other TASCAM playback equipment, or via smartphones / tablets using the integrated Bluetooth receiver in the MZ-123BT.

The MZ-123BT also provides 2 microphone inputs and a convenient talkover function, which will automatically detect mic signal input and attenuate background music levels, enabling clear audio in-store announcements.

System Diagram



TASCAM Equipment Installed

Product Outline	Model Name	Remarks
3 zone audio mixer with Bluetooth® receiver	MZ-123BT	
CD player	CD-200BT	
CD/SD/USB player with Bluetooth® receiver and FM/AM tuner	CD-400U	
High and low impedance mixing amplifier with microphone input and Bluetooth®	MA-BT240	
Gooseneck condenser microphone	TM-95GN	

2-5 All-in-one Amplification System for Small-scale Stores

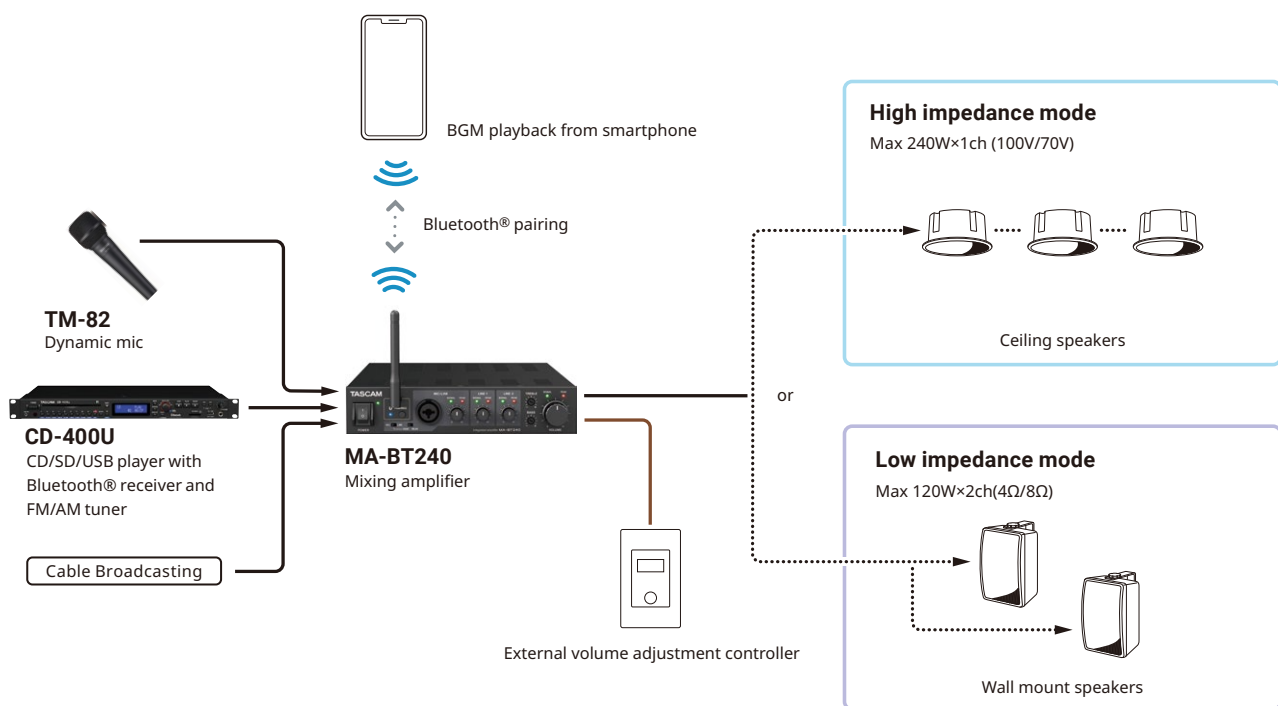
Easy Mixing

High output
low-high impedance

Bluetooth

The MA-BT240 is suitable for small-scale stores' amplification systems. It supports high output low/high impedance connections, and with its compact 1U half-rack size, it can be installed on top of any type of table, shelf, or gear rack. The MA-BT240 has a built-in Bluetooth receiver that enables BGM playback from smartphones and tablets; a microphone input with a ducking function that automatically attenuates BGM during announcements; and many more convenient functions all of which can be easily operated from the front panel. No complicated PC settings are required as the MA-BT240's simple operation makes it possible for those who are not familiar with the equipment to create their desired sound space after setup. In addition, the simple mixing function eliminates the need for a separate console while contributing to a low-budget system.

System Diagram



TASCAM Equipment Installed

Product Outline	Model Name	Remarks
High and low impedance mixing amplifier with microphone input and Bluetooth®	MA-BT240	
CD/SD/USB player with Bluetooth® receiver and FM/AM tuner	CD-400U	
Dynamic microphone	TM-82	

2-6 PA System for Waiting Rooms

Clear
Announcements

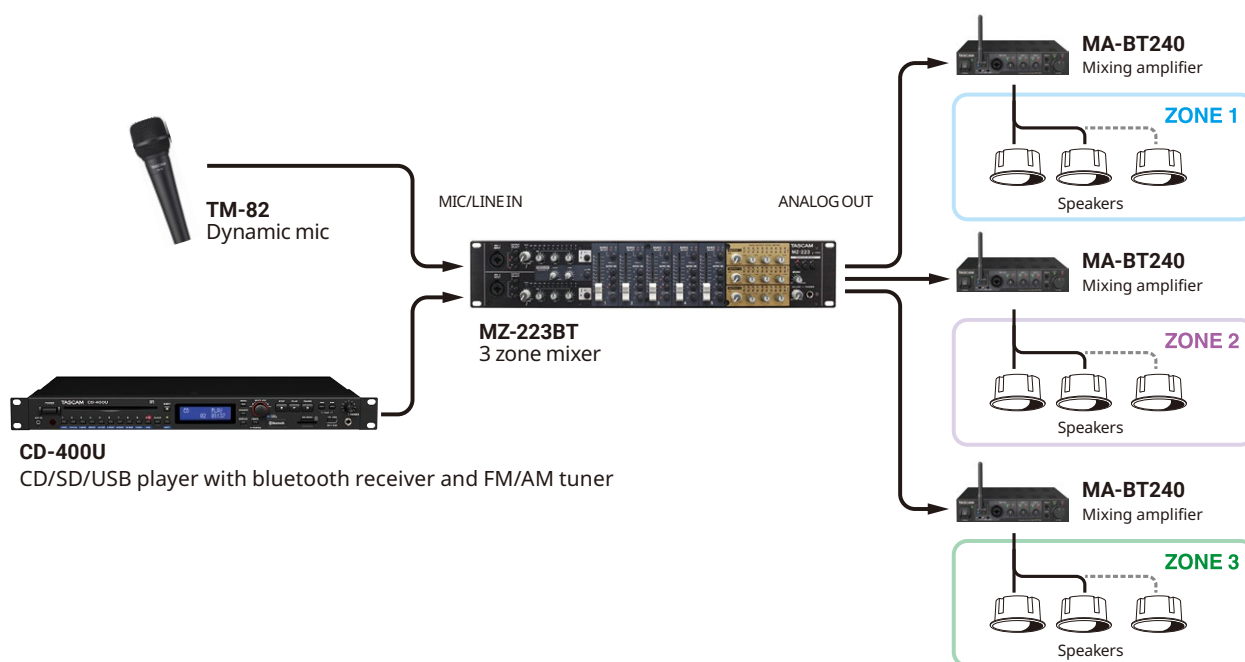
Individual Zone
Playback

Fader Operation

MZ-223's talkover function makes it a suitable choice for waiting rooms in facilities where customer paging is required. The talkover function will automatically detect mic signal input and attenuate background music levels, enabling easy-to-hear announcements and paging.

Also, the 3 independent outputs in MZ-223 allows for background music and announcements to be separately played in areas other than the waiting room.

System Diagram



TASCAM Equipment Installed

Product Outline	Model Name	Remarks
3 zone mixer	MZ-223	
CD/SD/USB player with Bluetooth® receiver and FM/AM tune	CD-400U	
High and low impedance mixing amplifier with microphone input and Bluetooth®	MA-BT240	
Dynamic microphone	TM-82	

2-7 BGM / Announcement Playback System for Area Division in Shopping Malls, etc.

Individual Zone Playback

System Management

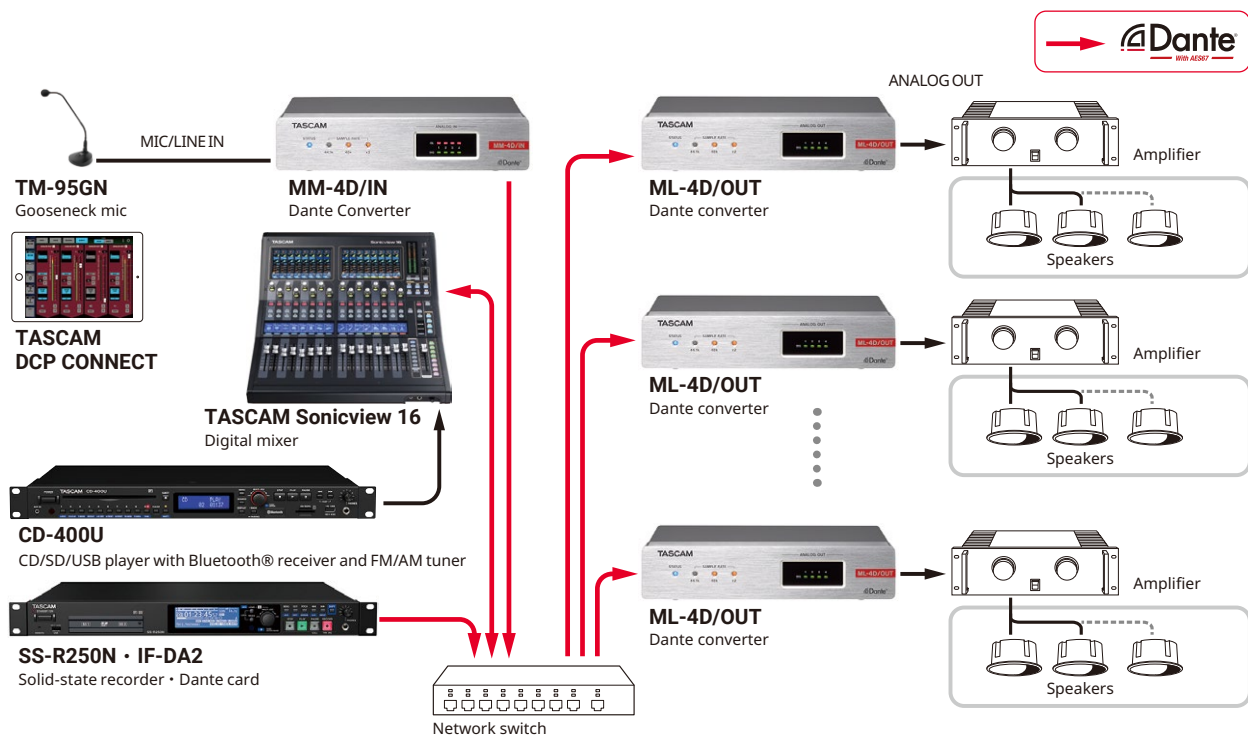
Easy Expansion

Using the MM-4D/IN and the ML-4D/OUT will enable each floor or area to have different background music and announcement playback, as well as optimal sound adjustment thanks to the ducking and ANC* functions installed in both units.

Meanwhile, Dante conversion and connectivity will allow for long-distance signal transmission, easy input/output expansion, and the reduction of wiring / installation procedures.

*ANC (ambient noise compensator) function: will automatically adjust the main volume according to the surrounding noise levels for clearer background music and announcement playback.

System Diagram



TASCAM Equipment Installed

Product Outline	Model Name	Remarks
4 mic in / 4 line in Dante converter with built-in DSP mixer	MM-4D/IN	
4 line out Dante converter with built-in DSP mixer	ML-4D/OUT	
DCP control software for system integrators / managers	TASCAM DCP CONNECT	
Control software for end-users	TASCAM EZ CONNECT	
DCP series dedicated AC adapter	PS-P1220E	Not required if using a PoE switching hub
DCP series dedicated rackmount shelf	AK-RS1	
Digital mixer	TASCAM Sonicview 16	
CD/SD/USB player with Bluetooth® receiver and FM/AM tune	CD-400U	
Solid state / CD stereo audio recorder / player	SS-R250N	
SS-R250N dedicated Dante interface card	IF-DA2	
Gooseneck condenser microphone	TM-95GN	

2-8 BGM System for Restaurants

Individual Zone Playback

DSP Sound Adjustment

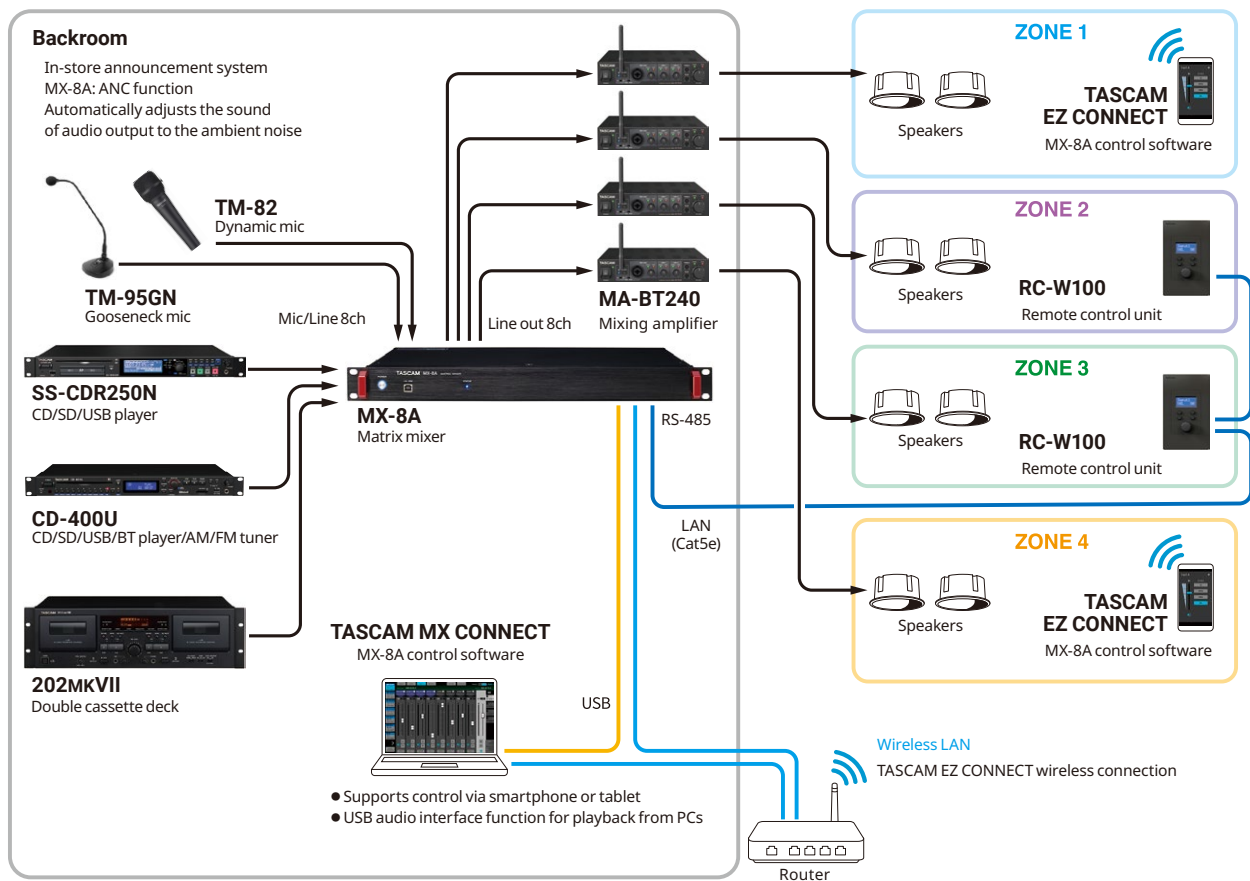
Clear Announcements

The MX-8A enables the construction of a variety of sound systems depending on the application or environment. In this case, using the MX-8A will allow users to assign different background music to the main floor and lounging area, or use the same source but at different volume levels depending on the area.

The ANC* function installed in MX-8A will automatically turn up the microphone volume according to the surrounding noises, providing clear announcements even in noisy environments.

*ANC (ambient noise compensator) function: will automatically adjust the main volume according to the surrounding noise levels for clearer background music or announcement playback.

System Diagram



TASCAM Equipment Installed

Product Outline	Model Name	Remarks
8 in / 8 out matrix mixer with built-in DSP	MX-8A	
Wall-mount programmable controller	RC-W100	
Control software for system integrators / manager	TASCAM MX CONNECT	
Control software for end-users	TASCAM EZ CONNECT	
Solid state / CD stereo audio recorder / player	SS-CDR250N	
CD/SD/USB player with Bluetooth® receiver and FM/AM tuner	CD-400U	
Double cassette deck	202MKVII	
High and low impedance mixing amplifier with microphone input and Bluetooth®	MA-BT240	
Gooseneck condenser microphone	TM-95GN	
Dynamic microphone	TM-82	

2-9 BGM System for Restaurants

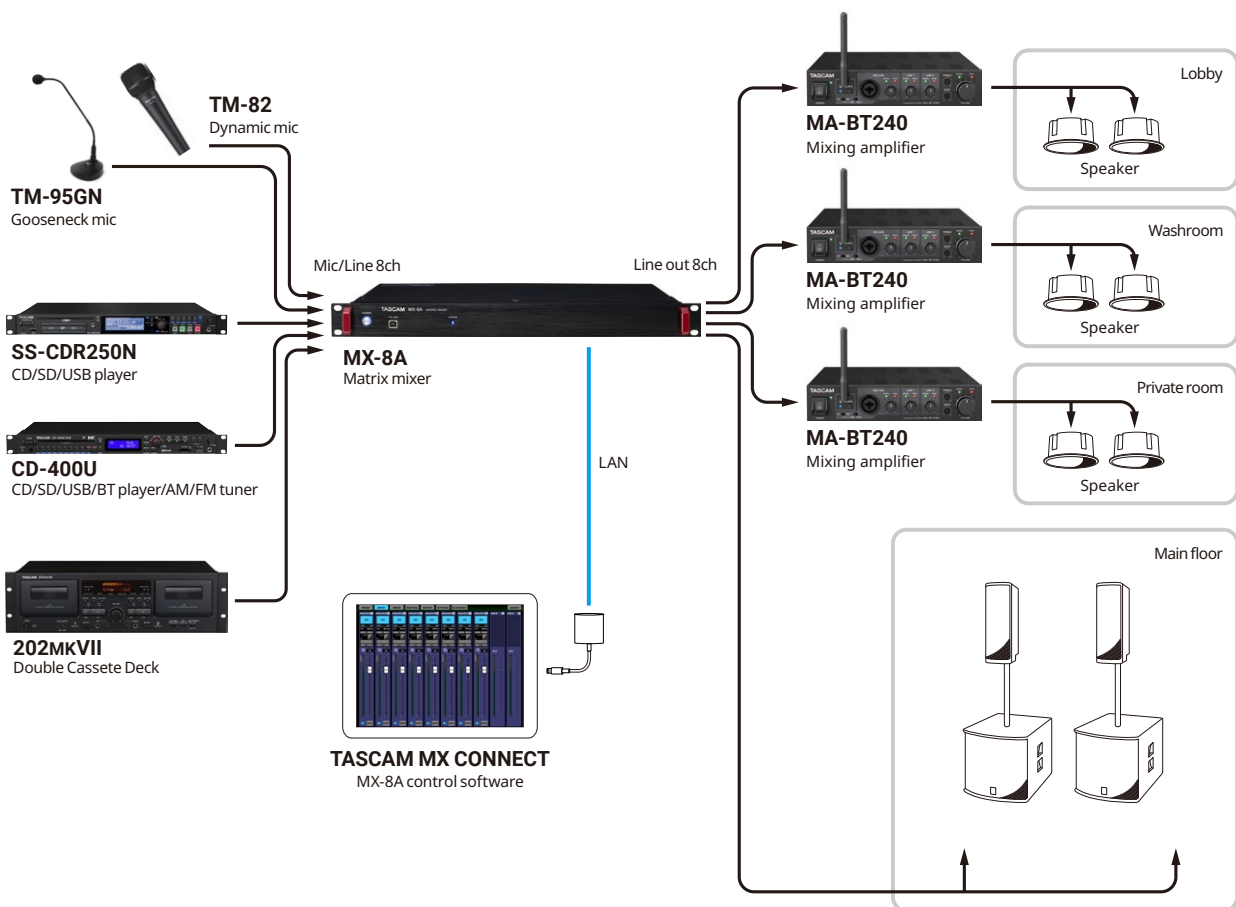
Easy Operation

Space-saving

Individual Area Playback

The MX-8A can be used in a BGM system for small-scale restaurants to play different sound sources in each area, such as the lobby, individual rooms, and the main floor, or to play the same BGM but at a different volume.

System Diagram



TASCAM Equipment Installed

Product Outline	Model Name	Remarks
8 in / 8 out matrix mixer with built-in DSP	MX-8A	
Control software for system integrators / managers	TASCAM MX CONNECT	
Solid state / CD stereo audio recorder / player	SS-CDR250N	
CD/SD/USB player with Bluetooth® receiver and FM/AM tuner	CD-400U	
Double cassette deck	202mkVII	
High and low impedance mixing amplifier with microphone input and Bluetooth®	MA-BT240	
Gooseneck condenser microphone	TM-95GN	
Dynamic microphone	TM-82	

2-10 BGM System for Small Shops Using Dante

Space-saving

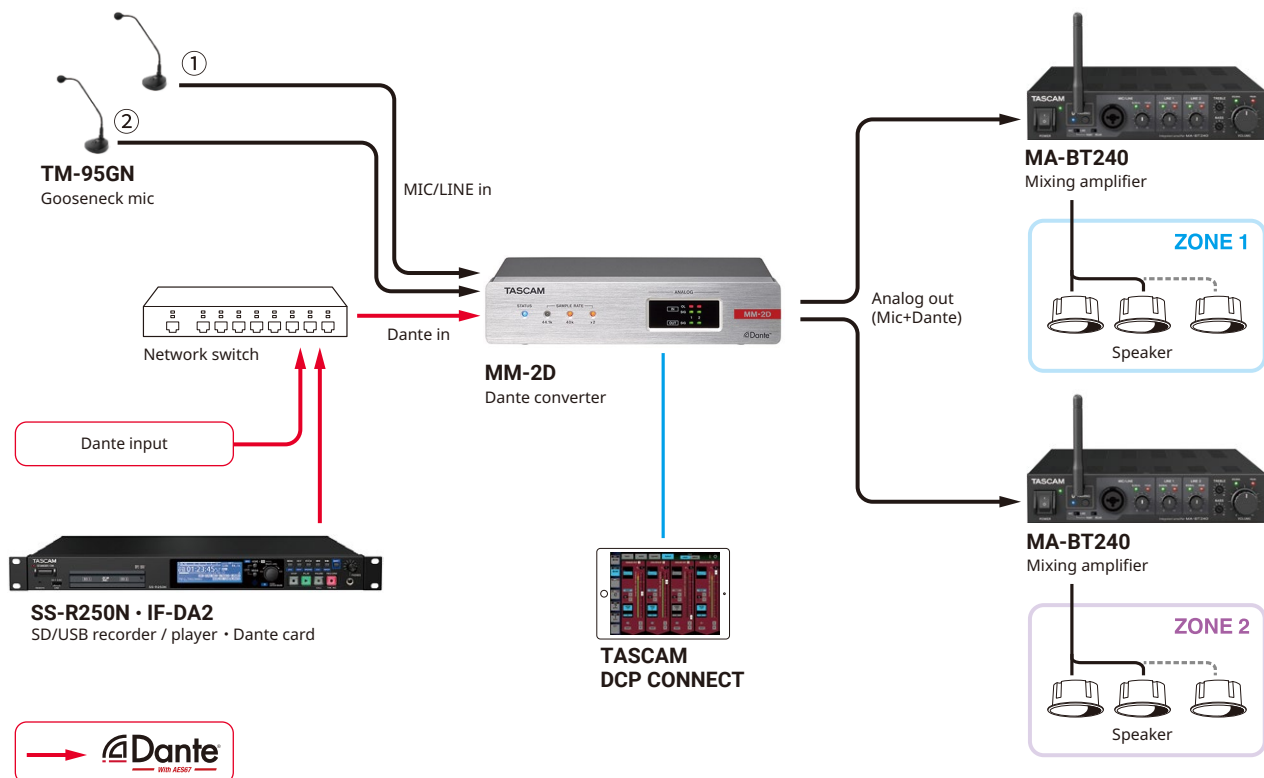
Intuitive Control

Sound adjustable via DSP

The MM-2D Dante converter with a compact yet highly functional mixer is suitable for small-scale systems using Dante. The MM-2D has DSP functions in its input and output stages, allowing adjustment optimized for the installation environment.

It also supports 4-channel Dante input, making it easy to integrate a playback device with Dante output into the system such as the SS-R250N.

System Diagram



TASCAM Equipment Installed

Product Outline	Model Name	Remarks
2ch Mic/Line Input/Output Dante Converter with built-in DSP Mixer	MM-2D	
Solid state stereo audio recorder / player	SS-R250N	
SS-R250N dedicated Dante interface card	IF-DA2	
High and low impedance mixing amplifier with microphone input and Bluetooth®	MA-BT240	
Gooseneck condenser microphone	TM-95GN	
DCP control software for system integrators / managers	TASCAM DCP CONNECT	

3-1 Multi-sound Playback System

Multi-Channel Playback

Cable Reduction

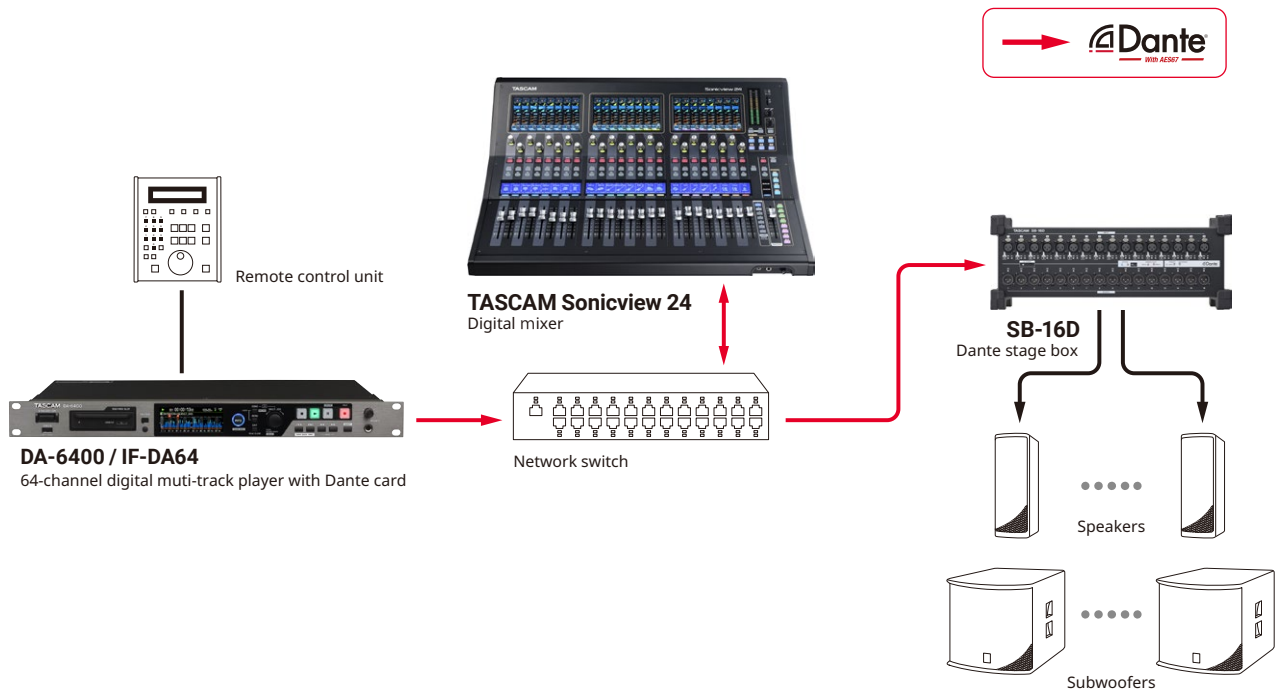
External Control

The DA-6400 multi-track recorder allows source playback of up to 64 channels.

With the optional Dante converter card IF-DA64, 64 channels can be transmitted with just one LAN cable.

With the Sonicview 24 the audio channels can be controlled or processed before they are received by the SB-16D or sent to other sources from the Sonicview 24.

System Diagram



TASCAM Equipment Installed

Product Outline	Model Name	Remarks
Digital mixer	TASCAM Sonicview 24	
16in / 16out Dante stage box	SB-16D	
64-channel digital multitrack recorder / player	DA-6400	
Dante interface card	IF-DA64	

3-2 PA Wireless Mic System for Theaters Using Dante

Cable Reduction

Compact System

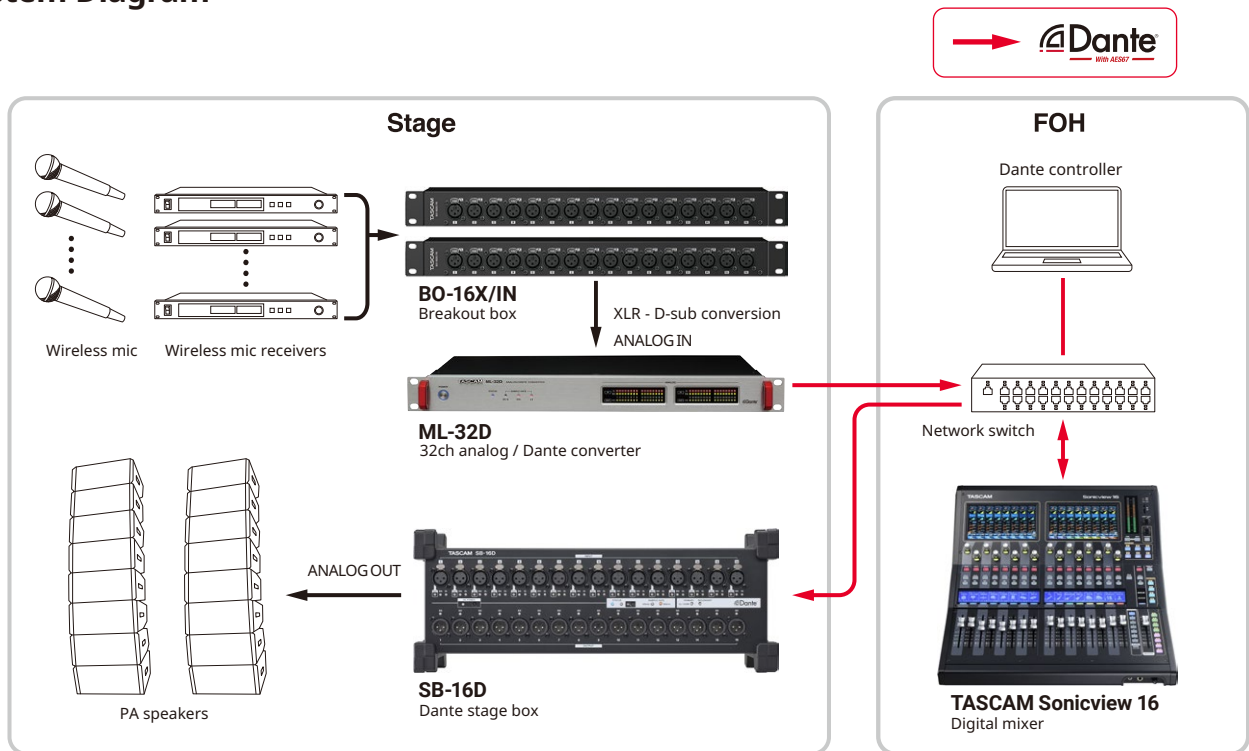
Long-distance Transmission

For theater stages and environments where multiple wireless microphones are needed for the performers, connecting all wireless microphone's audio signals into the ML-32D or the ML-16D will enable a simplified and compact system.

The audio output signals coming from the wireless microphone's receivers are converted from analog to Dante with the ML-32D / ML-16D. After assigning signals on a Dante-compatible console, long-distance transmission from stage to FOH can be done with the minimum amount of cables.

Additionally, signal input to ML-32D /ML16-D's analog D-sub input terminal can be done by introducing the XLR to D-sub conversion break-out box BO-16DX/IN.

System Diagram



TASCAM Equipment Installed

Product Outline	Model Name	Remarks
Digital mixer	TASCAM Sonicview 16	
16in / 16out Dante stage box	SB-16D	
32 analog line I/O Dante converter	ML-32D	
16 channel D-sub 25-pin XLR input breakout box	BO-16DX/IN	

3-3 Fixed Installations for Halls

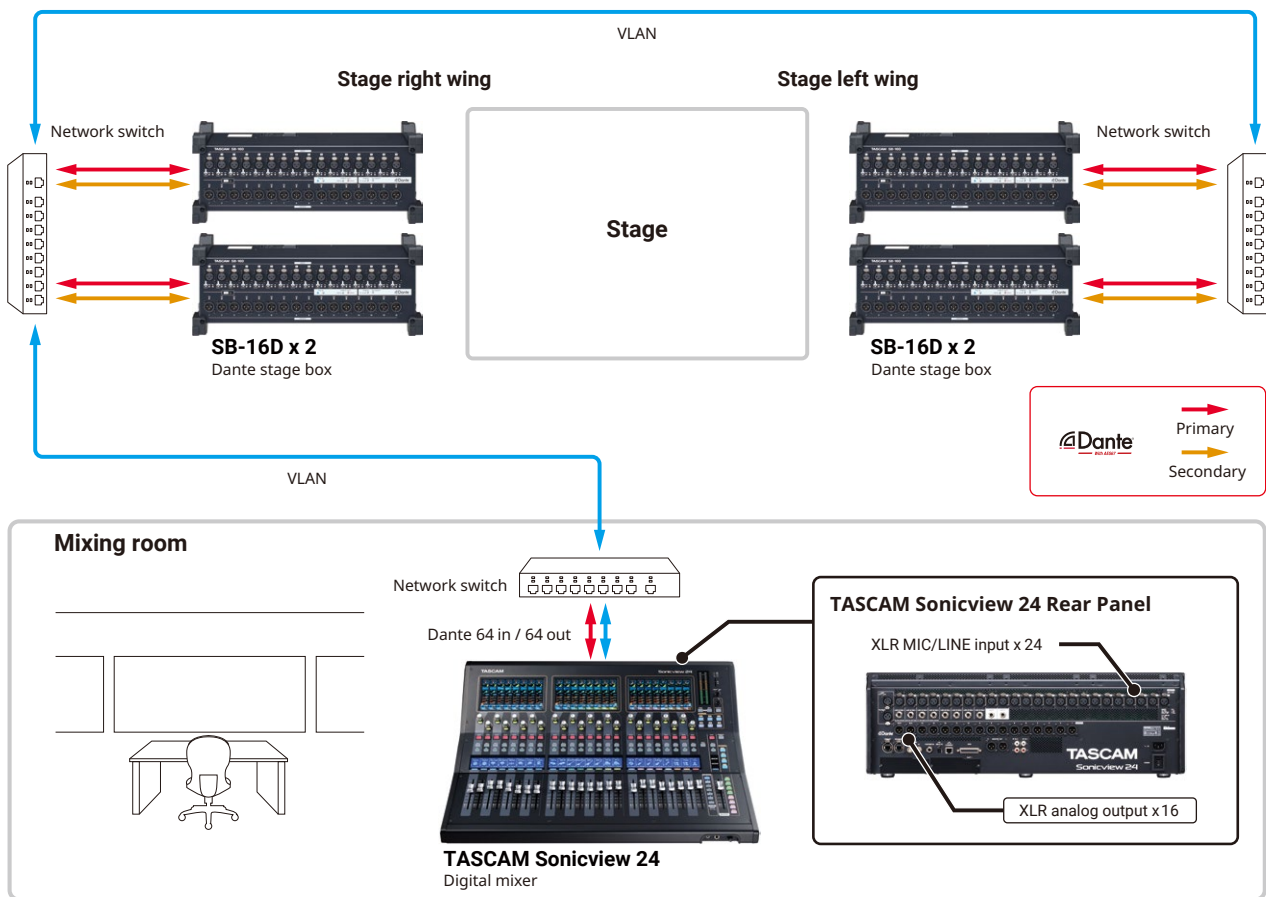
Dante Redundant

Less Wiring

Low Signal Degradation

Implementing the Dante-compatible TASCAM Sonicview 24 and SB-16D will free users from complicated cable systems and hum noises among other issues related to analog connections. These products will also allow for the consolidation of many audio cables into relatively inexpensive LAN cables, reducing cable-related costs.

System Diagram



TASCAM Equipment Installed

Product Outline	Model Name	Remarks
Digital mixer	TASCAM Sonicview 24	
16in / 16out Dante stage box	SB-16D	

3-4 SR System for Music Venues Using Dante

Remote Control

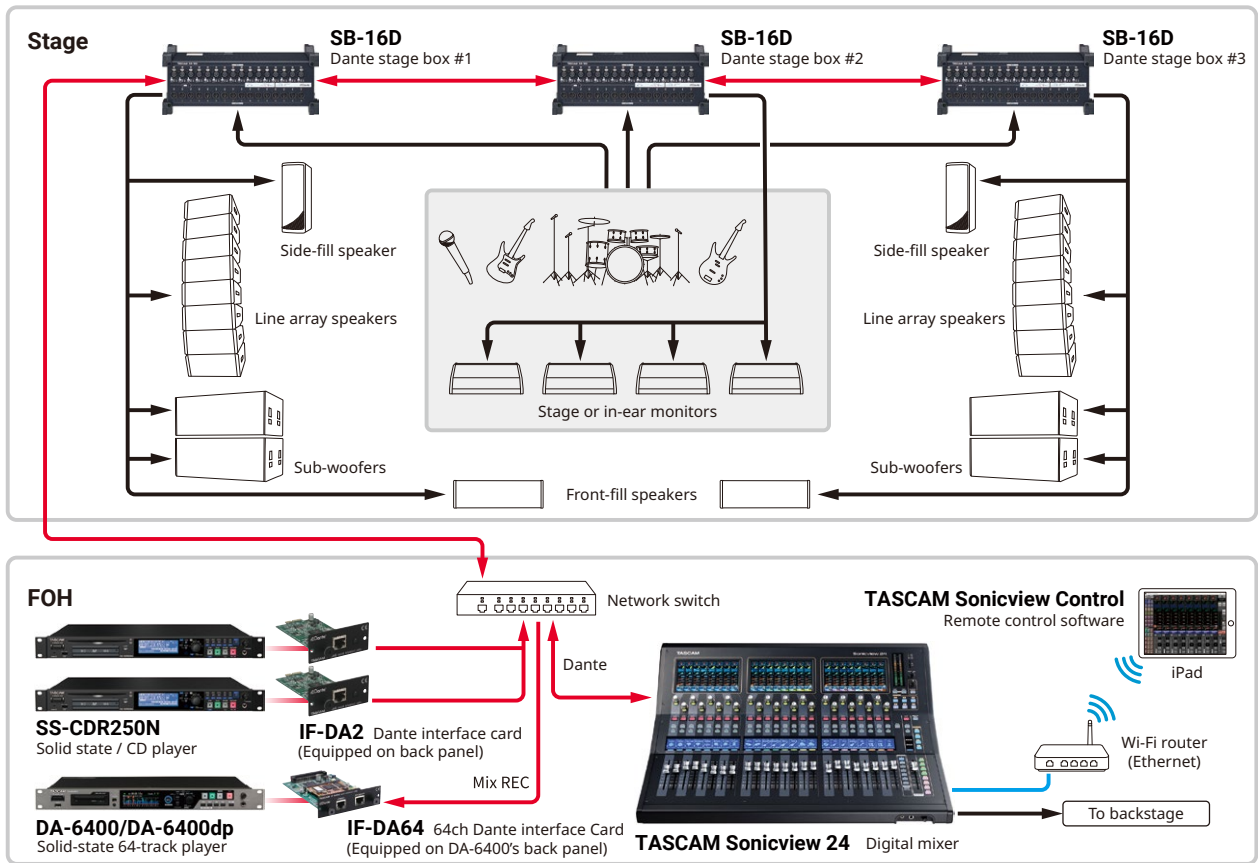
Flexible Routing

Snapshot Recall

This system employs a TASCAM Sonicview 24 as the main console and multiple SB-16Ds as stage boxes. By connecting the TASCAM Sonicview 24 and SB-16Ds via Dante, 48in/48out connection can be realized with only a few LAN cables. In addition, full control of the SB-16D units, including mic gain control, can be done through the main console.

Implementing Dante provides flexible routing, while band swapping and settings for each event can be instantly switched and recreated with snapshots from the TASCAM Sonicview 24. TASCAM Sonicview 24 rear panel is equipped with a handful of in/out terminals that enable the easy connection of devices for BGM playback and/or recording, as well as monitor output for the backstage area. In addition, the TASCAM Sonicview Control software allows remote control via Wi-Fi for on-stage monitor adjustments.

System Diagram



TASCAM Equipment Installed

Product Outline	Model Name	Remarks
Digital mixer	TASCAM Sonicview 24	
16in / 16out Dante stage box	SB-16D	
64-channel digital multitrack recorder	DA-6400 / DA-6400dp	
Solid state / CD stereo audio recorder / player	SS-CDR250N	
Dante interface card	IF-DA2	
64ch Dante interface card	IF-DA64	
Remote control software for TASCAM Sonicview 24	TASCAM Sonicview Control	

3-5 96kHz Live SR/Recording System Using a FOH and Monitor Console

96kHz Operation

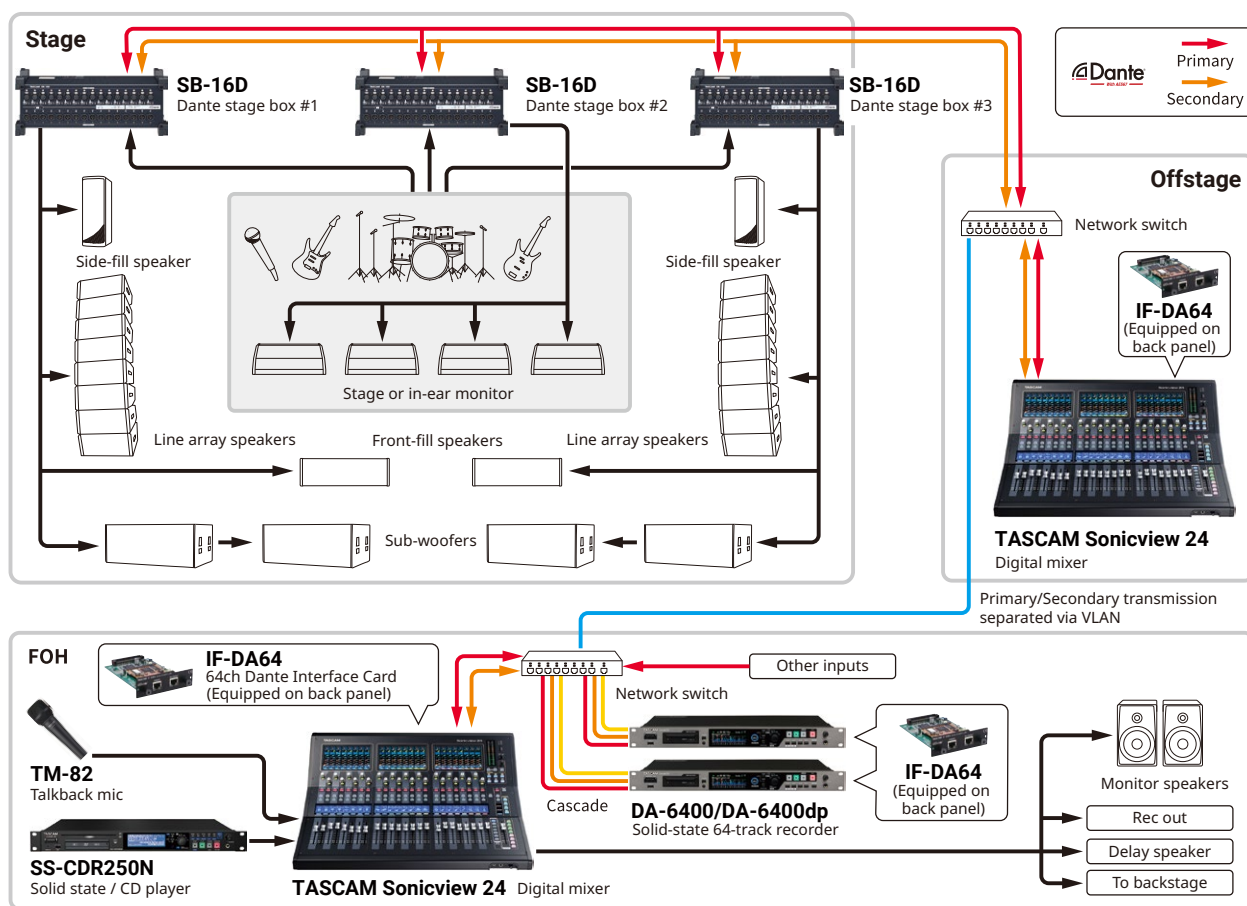
64ch Recording

Dante Redundant

Build a full 96kHz live FOH system or monitor console by expanding the TASCAM Sonicview 24 with an IF-DA64 Dante interface card. In addition, connecting multiple SB-16D stage boxes and cascading 2 DA-6400 units will allow for achieving a 96kHz 64ch multi-channel recording system.

The redundant Dante connection allows for complete redundancy of cables and network switches, creating a highly reliable system with no loss of sound in the unlikely event of a problem.

System Diagram



TASCAM Equipment Installed

Product Outline	Model Name	Remarks
Digital mixer	TASCAM Sonicview 24	
Solid state / CD stereo audio recorder / player	SS-CDR250N	
64-channel digital multitrack recorder	DA-6400 / DA-6400dp	
16in/16out Dante stage box	SB-16D	
64ch Dante interface card	IF-DA64	
Dynamic microphone	TM-82	

3-6 AB-roll and Multi-track Playback in Theaters

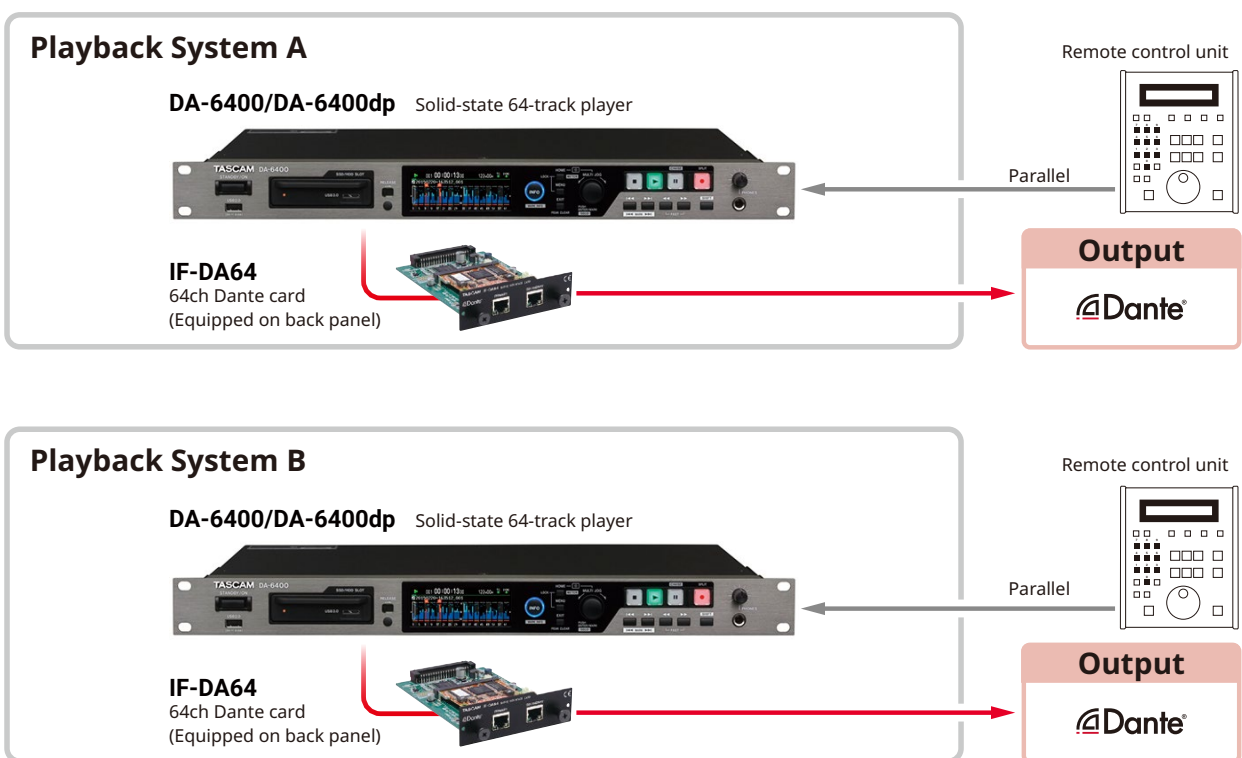
Theater Play / Playlist Function

Multiple Large Screen Display

Remote Controllable

This system enables AB-roll multi-track playback, which alternates the playback of each of the content respective to the timing of the scene in theaters and amusement facilities. The DA-6400's theater play function can be used for reliable playback using only the PLAY button operation, and the playlist function can be used to easily change the order of tracks and set the playback start/stop position to any desired position. (This system has been introduced to multiple theaters and facilities in Japan)

System Diagram



TASCAM Equipment Installed

Product Outline	Model Name	Remarks
64-channel digital multitrack recorder / player	DA-6400 / DA-6400dp	
64ch Dante interface card	IF-DA64	

3-7 DAW Live Recording and Backup Recording System

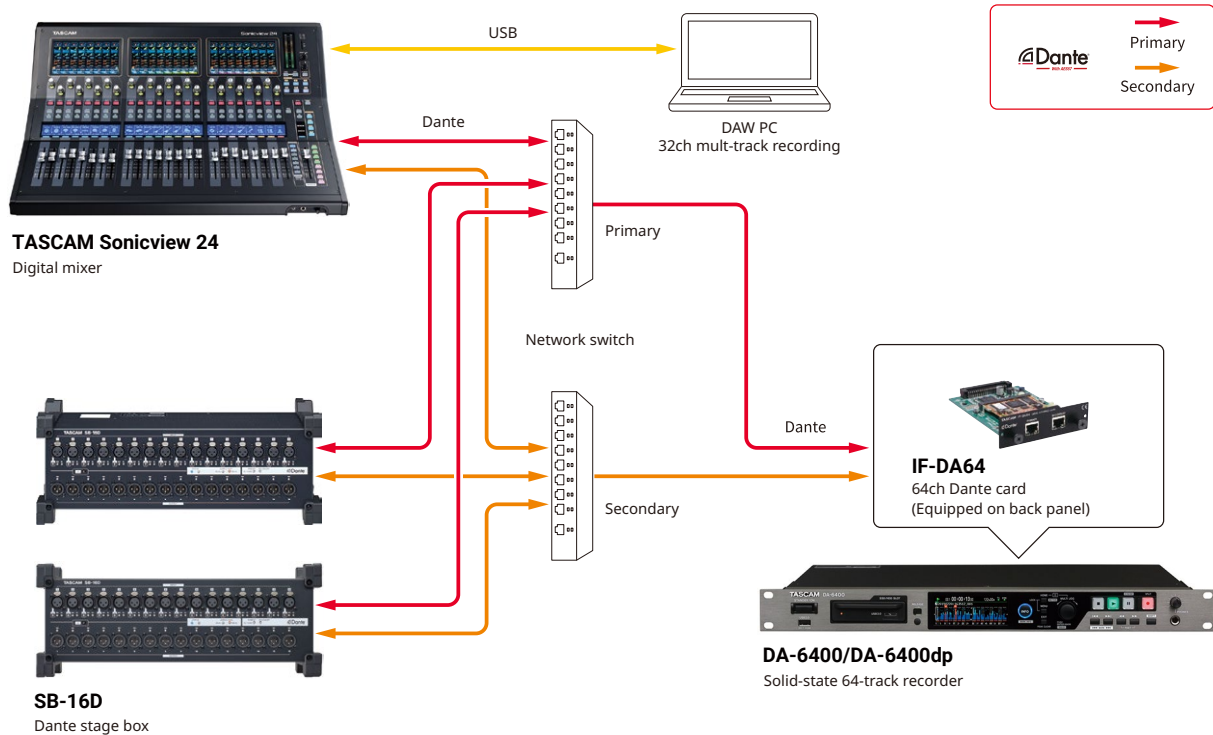
32 bit 32 in/32 out
USB Audio Interface

Simple Routing

Reliable
Recording

Build a live recording system using a DAW as your main recording system using the TASCAM Sonicview's 32in/32out USB audio interface function. For live systems using MADi or Dante, the DA-6400 can also be used as a backup recorder to ensure high reliability, and, in the case of Dante, it is possible to build an even more reliable system by assembling a redundant one. The DA-6400 provides high stability as a stand-alone unit and while recording on the dedicated TASCAM SSD media, it performs file-close processing approximately every 20 seconds, therefore allowing for reliable backup recording in case of any DAW trouble. Moreover, the DA-6400 records data as BWF mono files which can be easily imported onto the DAW, and the physical unit itself is compact enough to fit in a 1U size rack system.

System Diagram



TASCAM Equipment Installed

Product Outline	Model Name	Remarks
Digital mixer	TASCAM Sonicview 24	
16 in / 16 out Dante stage box	SB-16D	
64-channel digital multitrack recorder	DA-6400/DA-6400dp	
Dante interface card	IF-DA64	

3-8 Video Sync Multi-playback

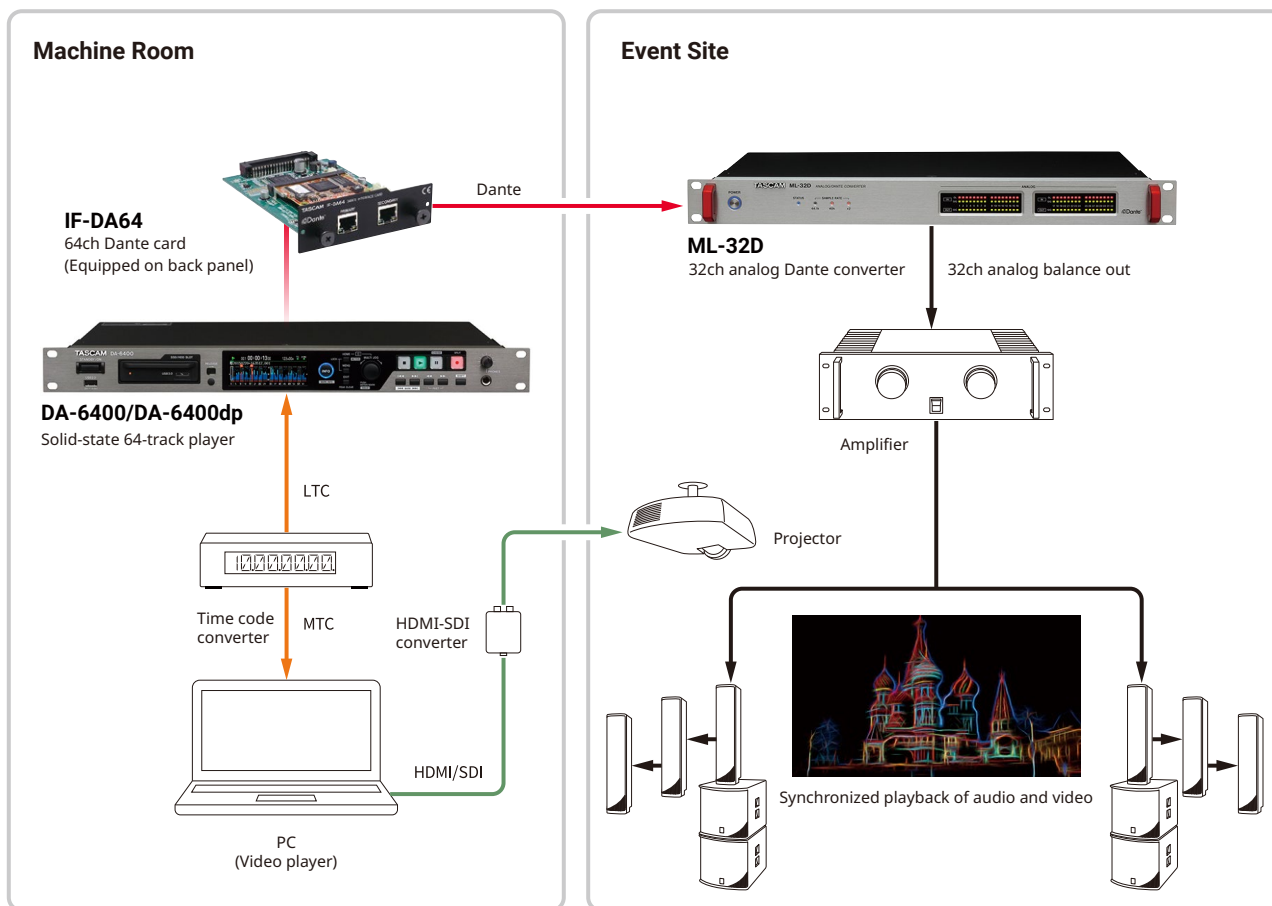
Time Code Sync

Less Wiring

Stable Operation

Build a simple and easy multi-playback system with video synchronization using the DA-6400's time code sync function. Using an IF-DA64 and ML-32D will allow for connecting the machine room to the venue via Dante connection with a single LAN cable, resulting in cost reduction, easy maintenance, and a redundant system for stable operation. This provides a suitable environment for projection mapping, planetariums, or other amusement facilities that wish to perform multi-playback.

System Diagram



TASCAM Equipment Installed

Product Outline	Model Name	Remarks
64-channel digital multitrack recorder / player	DA-6400 / DA-6400dp	
64ch Dante Interface Card	IF-DA64	
32ch Analog Dante Converter	ML-32D	

Case Study

Click on the case study images to view detailed pages.

No.	Case study(Japan)	Model Name	
1	 Model 24 and Model 16 as mixers for "George Yanagi Memorial Live" live stream	Model 16 Model 24	George Yanagi 
2	 Pasti Menang Corporation: Interview regarding DA-6400DP & IF-MA64/EX	DA-6400	Pasti Menang 
3	 Koji Ryu: Live DVD "Koji Ryu Live Tour 2017 feat. Hideyuki Yonekawa"	CG-1800 DA-6400	Koji Ryu 
4	 Kazuyoshi Saito "Singing to the Rain" Acoustic Tour 2017	DA-6400	Kazuyoshi Saito 
5	 Inside the OB van recording system for AKB48 9th Senbatsu election	CG-2000 DA-6400	AKB48 
6	 ML-32D Dante converter installation on the set of "Unfair Moon"	BO-16DX/IN ML-16D BO-16DX/OUT ML-32D BO-32DE	Unfair Moon 
7	 TASCAM VS-R264 encoder/decoder used for the live streaming of New Year Festival Concert 2021	LA-40MKIII Model 12 VS-R264	New Year Fes 
8	 TASCAM Model 24 used at the Inter BEE 2018 opening ceremony and keynote speeches	Model 24	InterBEE 2018 
9	 Live recording with CRYPTON FUTURE MEDIA, INC	DA-6400 TASCAM DA-6400 CONTROL	Crypton 
10	 TASCAM DA-6400 multi-track recorder at Chicken George in Kobe, Japan	DA-6400 TASCAM DA-6400 CONTROL	CHIKEN GEORGE 
11	 Multitrack recordings for the live DVD of NANIWA EXP	US-16x08 X-48MKII	NANIWA EXP 
12	 Sunphonix Corporation Live PA system	CG-1000 CG-1800 CG-2000	Sunphonix 

Case Study

Click on the case study images to view detailed pages.

No.	Case study(Global)	Model Name	
14	 The Lume Melbourne Van Gogh Experience: Introducing Dante models in immersive digital art gallery	ML-32 ML-4D MM-2D	Van Gogh 
15	 TASCAM Captures Audio for Monterey Pop's 50th Anniversary	DA-6400	Monterey Pop Festival 
16	 Kooster McAllister Captures Farm Aid with TASCAM	DA-6400	Kooster McAllister 
17	 TASCAM Plays an Integral Role in Third Eye Blind Production	DR-10L DR-40X Model 24	ThirdEyeBlind 
18	 TASCAM Announces the TASCAM & Tommy Bolan Recording and Guitar Gear Giveaway Contest	Model 12	Tommy Bolan 
19	 The Online Magazine for Creative Musicians, Content Creators & Recording Engineers V2/Issue 2	Model 12	Online Magazine 
20	 TASCAM's DA-6400 Captures Grand Performances in Downtown L.A.	DA-6400	Grand Performances 
21	 CLAIR GLOBAL TOURS THE WORLD WITH TASCAM	DA-6400 SS-CDR250N	CLAIR GLOBAL TOURS 
22	 TASCAM's Model 24 Brings Versatility to Matt Molchany's Engineering Efforts	Model 24	Matt Molchany 
23	 TASCAM's Sonicview 24XP Helps Steve Remote Thrive at the 2023 Newport Jazz Festival	DA-6400 IF-MA64/EX TASCAM Sonicview 24	Newport Jazz Festival 
24	 TASCAM's SS-CDR250N Brings Clarity to the Minnesota Zoo	SS-CDR250N	Minnesota Zoo 
25	 TASCAM's Portacapture X8 Brings Greater Accuracy to Live Recordings	Portacapture X8	Scott and Warren 
26	 TASCAM's Model 16 and Portacapture X8 are Central to Eoghan Johnston's Recording Efforts	Model 16 Portacapture X8	Eoghan Johnston 

4-1 Inter-room Talkback System Between the Master Room and Studio

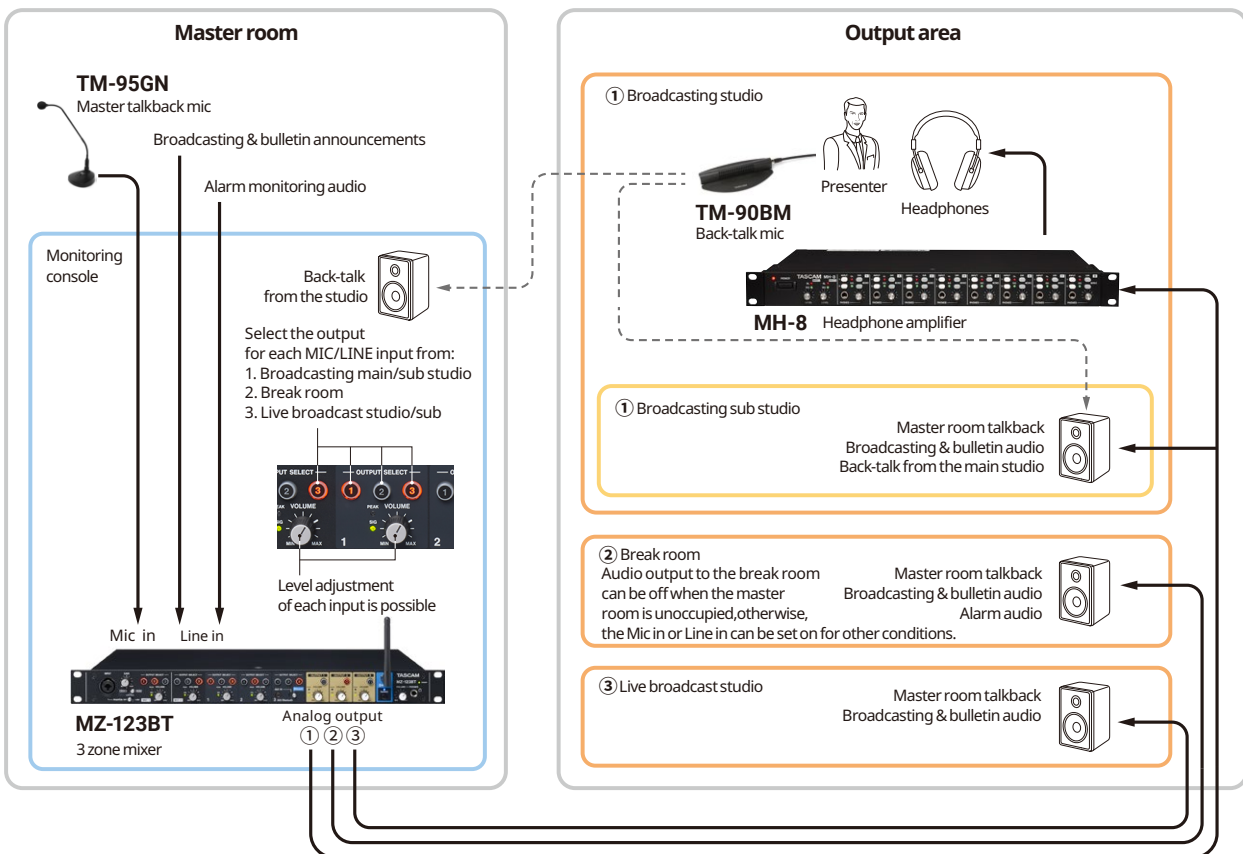
Low Cost

Easy Control

Space-saving

Using the MZ-123BT in the master room enables talkback/paging, as well as audio announcements and alarms from the monitoring server to the broadcasting main/sub studio, break rooms, etc. Output destinations can be set individually; and if the master room is unoccupied, all outputs to the break room can be performed with a simple switch operation.

System Diagram



TASCAM Equipment Installed

Product Outline	Model Name	Remarks
Commercial-grade multi-zone audio mixer	MZ-123BT	
8-channel headphone amplifier	MH-8	
Gooseneck condenser microphone	TM-95GN	
Boundary condenser microphone	TM-90BM	

4-2 Audio System for Radio Studios

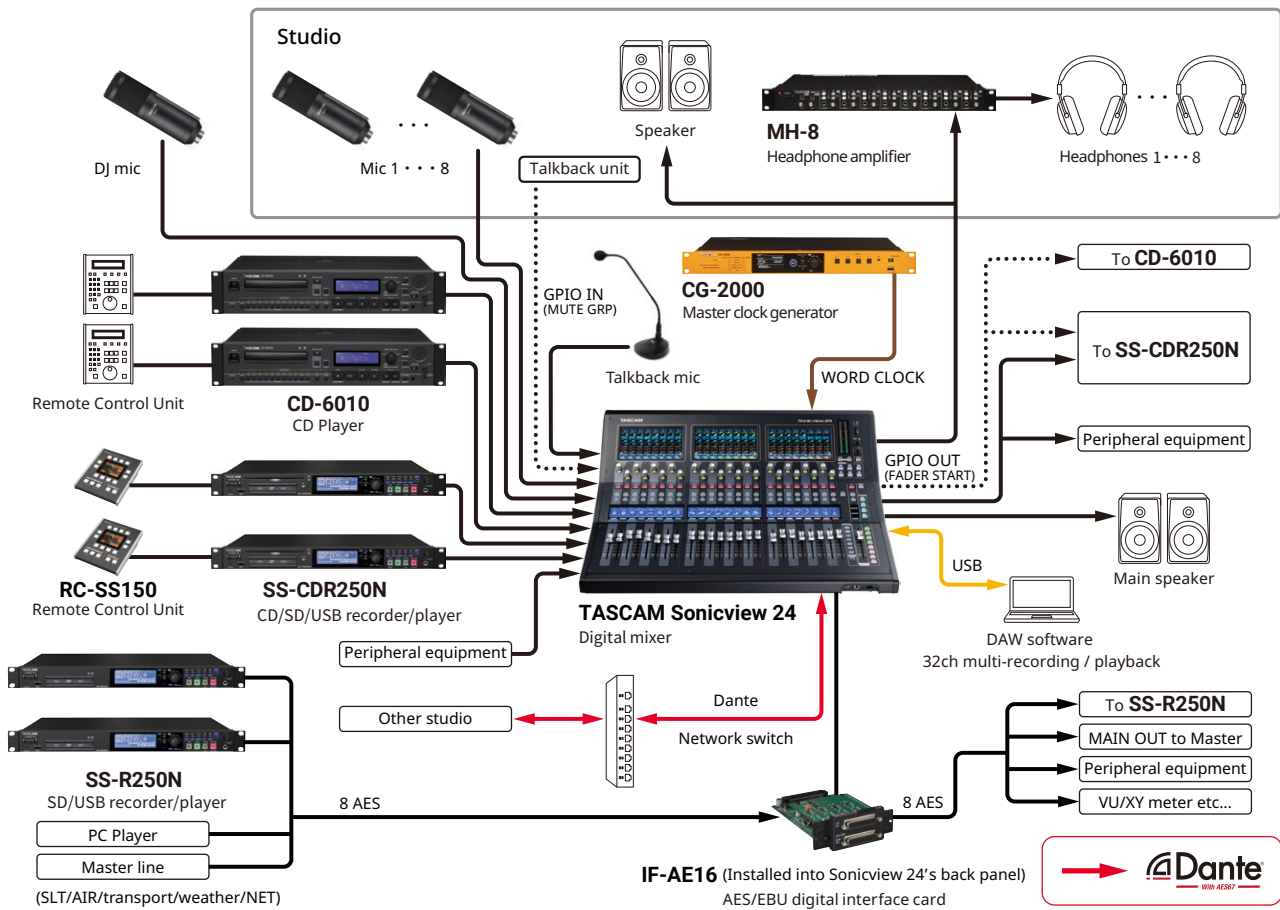
Extensive Inputs/Outputs

High-quality Audio

GPIO

The TASCAM Sonicview 24 is the optimal console for radio studios with its extensive number of input/output terminals. The unit has 24 mic/line inputs and 16 line outputs; equipping two of the optional IF-AE16 interface cards to the TASCAM slots will allow for an additional AES/EBU in/out of 16in/16out (8 AES I/O). The TASCAM Sonicview 24 comes equipped with a 32in/32out USB audio interface function, enabling easy DAW connection and it also supports 8 in/8 out GPIOs for external control of fader start, talkback etc. Moreover, the 64-in/64-out Dante interface allows for flexible and simple connections to other studios and master rooms.

System Diagram



TASCAM Equipment Installed

Product Outline	Model Name	Remarks
Digital mixer	TASCAM Sonicview 24	
AES/EBU digital interface card	IF-AE16	
Master clock generator	CG-2000	
High-Performance CD Player for Broadcast	CD-6010	CD-RW900SX can be substituted
Solid state / CD stereo audio recorder / player	SS-CDR250N	
Remote control unit for SS-R250N/SS-CDR250N	RC-SS150	
Solid state recorder	SS-R250N	
8-ch headphone amplifier	MH-8	
Dynamic microphone	TM-70	
Gooseneck condenser microphone	TM-95GN	

4-3 Audio System for Small-mid TV Studios

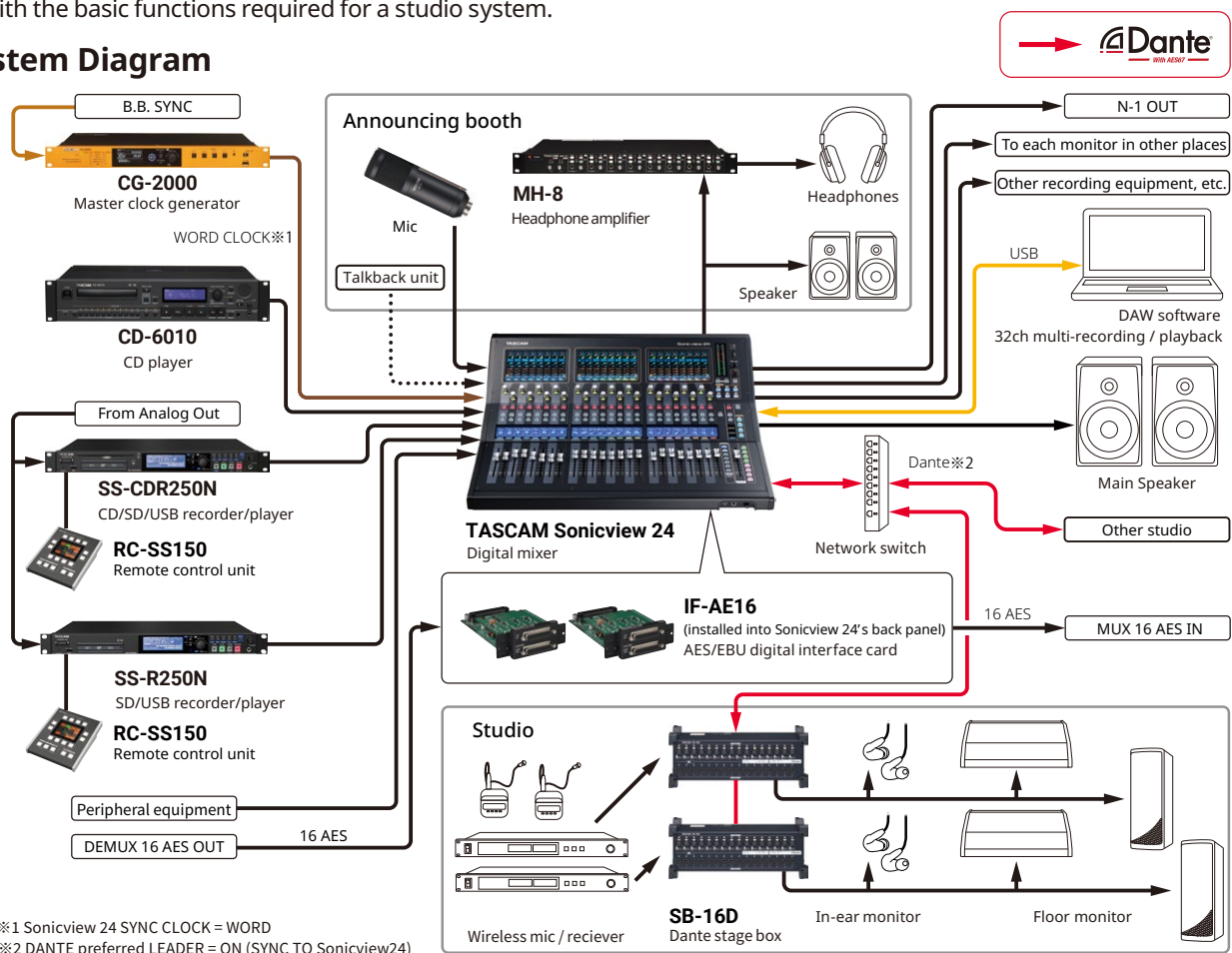
Extensive Inputs/
Outputs

High-quality
Audio

Word-Sync

The TASCAM Sonicview 24 is suitable as the main console for small to medium-sized television studio sound systems. The unit has 24 mic/line inputs and 16 line outputs; equipping two of the optional IF-AE16 interface cards to the TASCAM slots will allow for an additional AES/EBU in/out of 32in/32out (16 AES I/O). Using the equipped 64in/64out Dante interface and installing the SB-16D stage box at various locations does not only simplify the connections between studio and sub, master room, and other studios but also allows for a flexible system. In addition, the 32in/32out USB audio interface function allows recording and playback to/from DAWs, and the 8in/8out GPIO external control port supports cuff control. 22 flexible buses allow flexible construction of N-1 send-back audio output and talkback interruptions to destinations. Audio Reference signals can also be easily sent out via a dedicated screen. The TASCAM Sonicview 24 comes standard with the basic functions required for a studio system.

System Diagram



※1 Sonicview 24 SYNC CLOCK = WORD
 ※2 DANTE preferred LEADER = ON (SYNC TO Sonicview24)

TASCAM Equipment Installed

Product Outline	Model Name	Remarks
Digital mixer	TASCAM Sonicview 24	
AES/EBU digital interface card	IF-AE16	
16in/16out Dante stage box	SB-16D	
Master clock generator	CG-2000	
High-Performance CD Player Broadcast	CD-6010	
Solid state / CD stereo audio recorder / player	SS-CDR250N	
Remote control unit for SS-R250N/SS-CDR250N	RC-SS150	
Solid state recorder	SS-R250N	
8-ch headphone amplifier	MH-8	
Dynamic microphone	TM-70	

4-4 TV Relay System

Analog/Dante Conversion

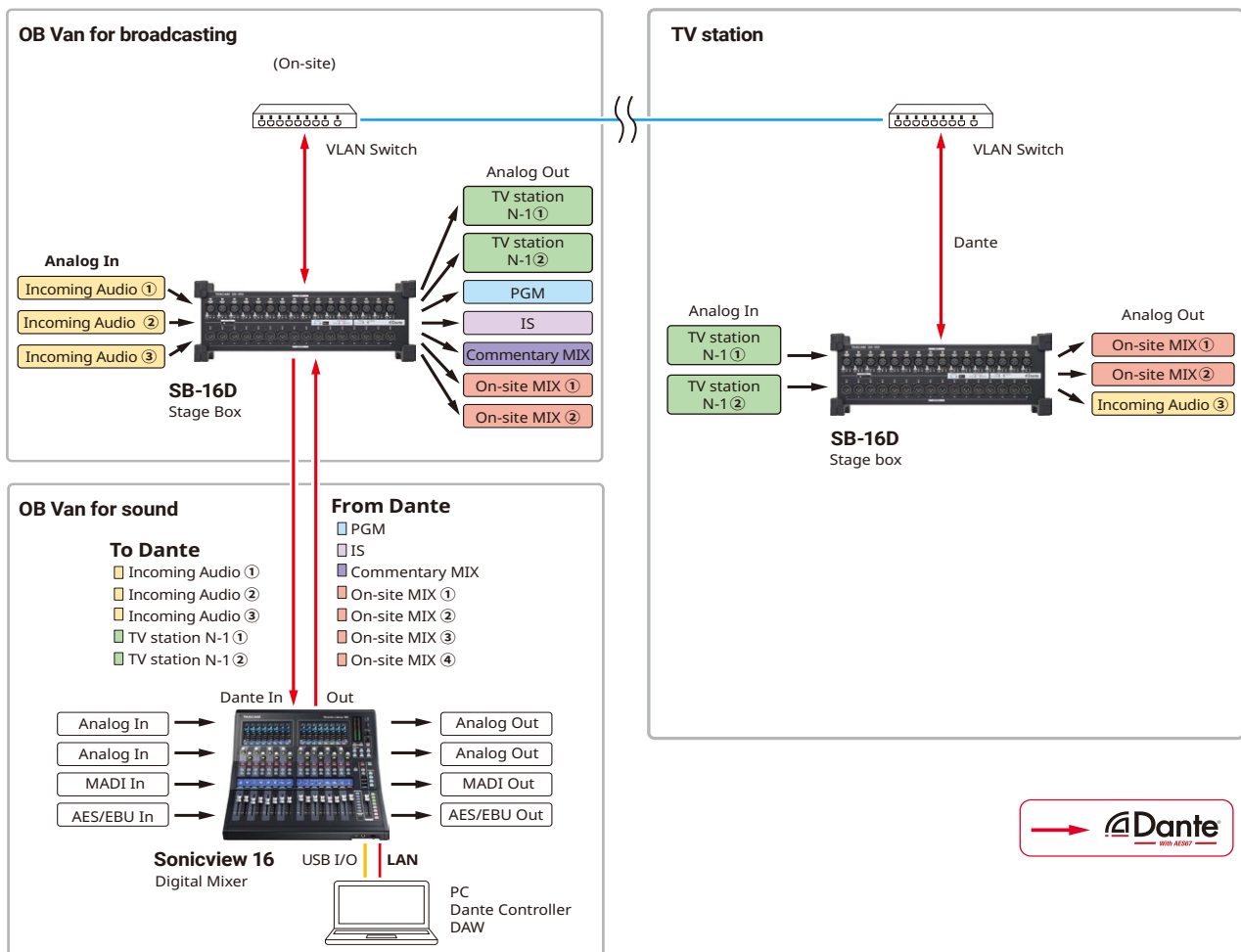
Simplified Wiring

Extensive I/O

The SB-16D stage box can be used as an analog-to-Dante converter to greatly simplify wiring at TV relay sites. The SB-16D, which connects 16 channels of analog inputs and outputs via XLR connectors, is a compact 3U unit that can be installed anywhere.

Installing a TASCAM Sonicview digital mixer in an audio OB van enables audio mixing with matrix mix capability, and with optional Sonicview IF-series expansion cards (sold separately), analog, MADi, AES/EBU, and additional Dante conversion is possible. Moreover, connecting a PC to the USB port on Sonicview's rear panel allows for 32 channels of input/output ready to be used for multi-recording and distribution using a DAW.

System Diagram



TASCAM Equipment Installed

Product Outline	Model Name	Remarks
Digital Mixer	TASCAM Sonicview 16	
Stage Box	SB-16D	

4-5 Recording of Radio Programs

“Remote recording”

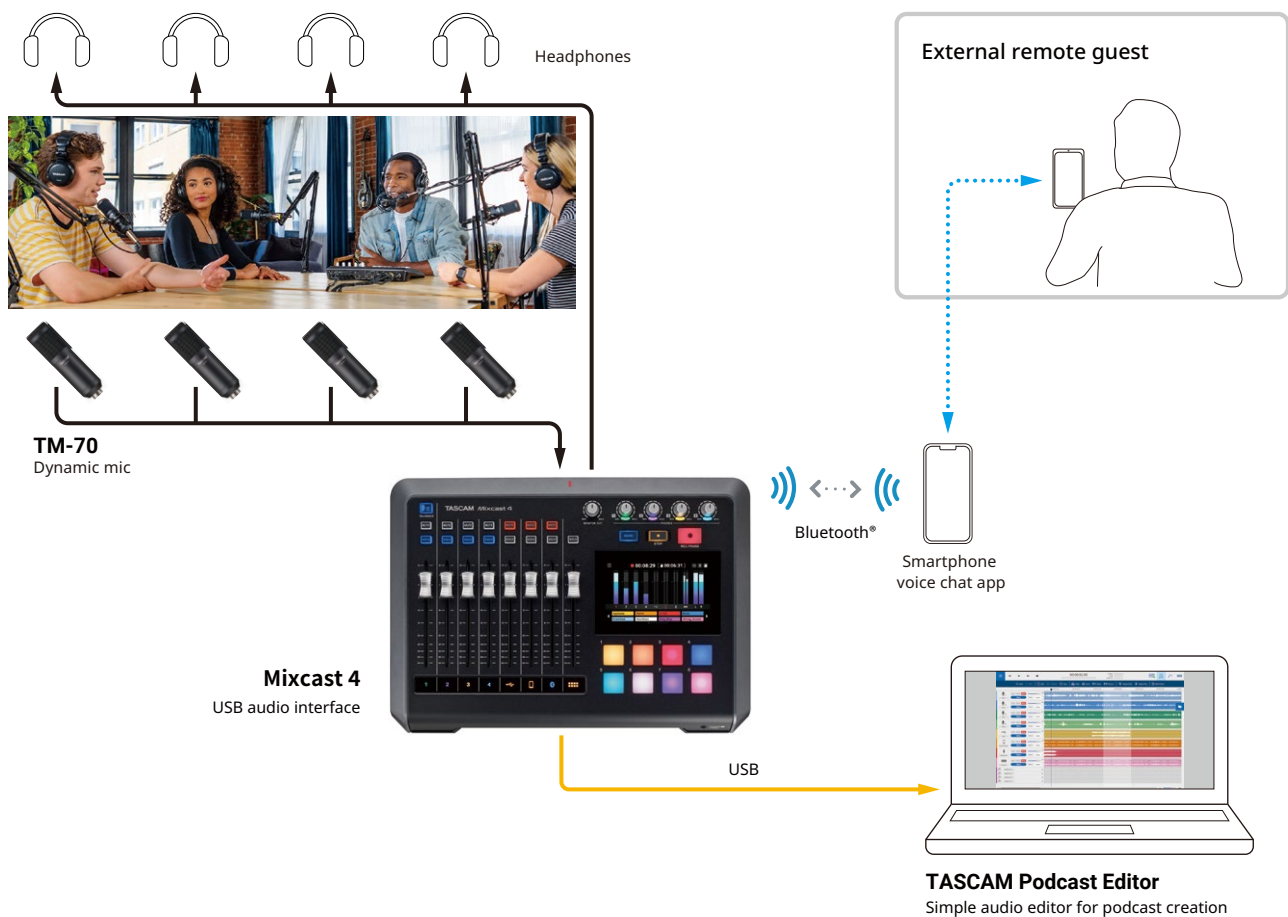
4 Mic Inputs & 4 Headphone Output

Sound Pads & Voice Effects

Mix-minus Function

The Mixcast 4 makes it easy to record radio shows and produce podcasts, with 4 microphone inputs/4 headphone outputs for up to 4 people. The sound pads can be used to insert jingles and sound effects into the program as it progresses. A mix-minus function for Bluetooth and line input allows stress-free interviewing of guests using smartphones. Reverb, voice effects, and ducking functions are also included for recording a wide variety of programs.

System Diagram



TASCAM Equipment Installed

Product Outline	Model Name	Remarks
Podcast Station with built-in Recorder / USB Audio Interface	Mixcast 4	
Simple Audio Editor for Podcast Creation	TASCAM Podcast Editor	
Dynamic microphone	TM-70	

4-6 Video Content Audition in Post-production Studios

4K Blu-ray/DVD Playback

7.1ch Analog Output

Multi-media Support

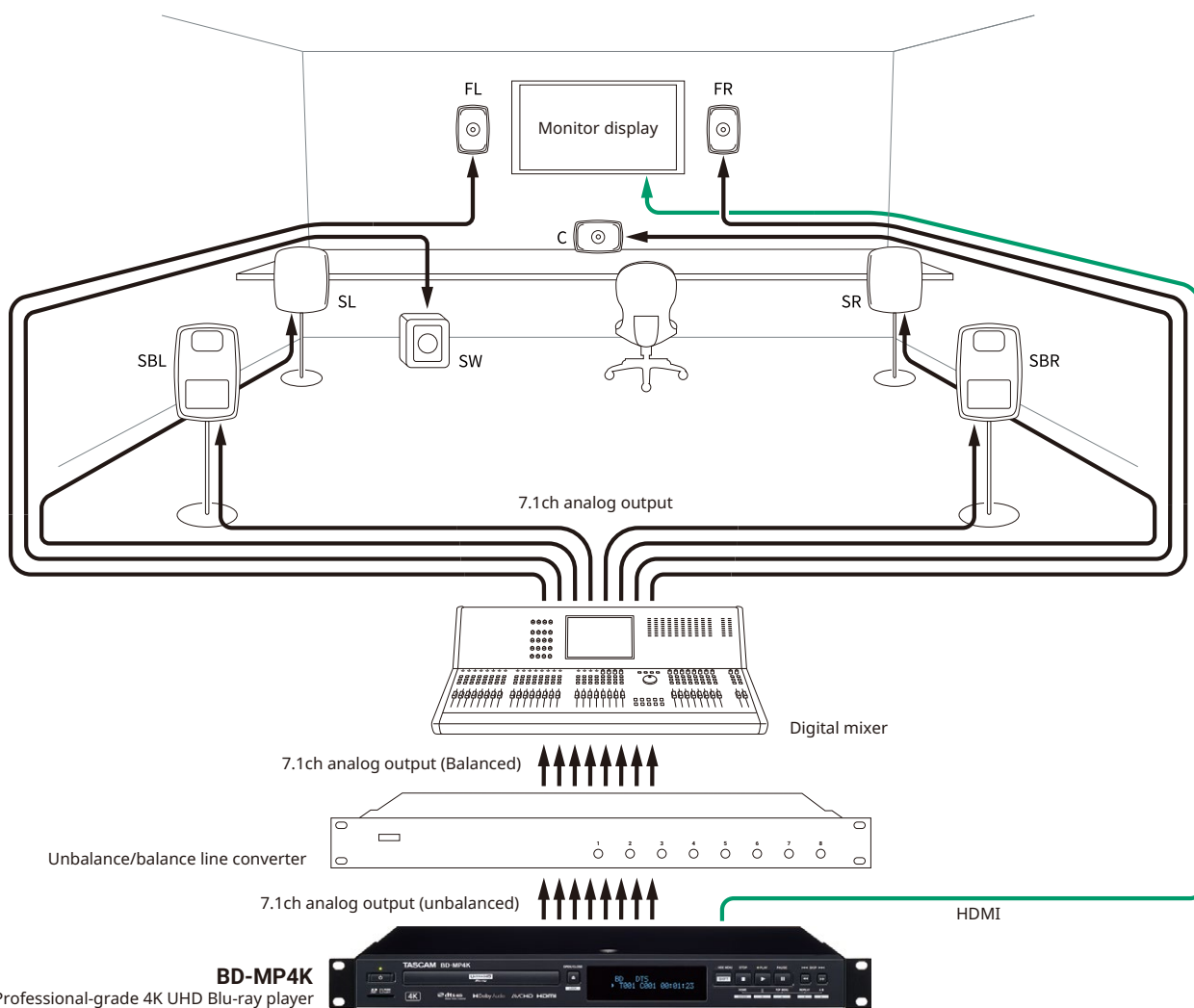
The BD-MP4K with 7.1ch analog output can be used for the sound-check of video material brought into the studio and final audio confirmation of fully packaged material.

<BD-MP4K supported media and formats>

- **Blu-ray** : BD25, BD50, BD-ROM, BD-R, BD-RE
- **DVD** : DVD-ROM, DVD-R, DVD-RW, DVD+R, DVD+RW
- **CD** : CD-DA, CD-R



System Diagram



TASCAM Equipment Installed

Product Outline	Model Name	Remarks
Professional-grade 4K UHD Blu-ray™ player	BD-MP4K	

Case Study

Click on the case study images to view detailed pages.

No.	Case study(Global)	Model Name	
4	 KBS introduces the TASCAM DA-6400 as the main recorder in three broadcasting facilities	DA-6400 IF-MA64/EX TASCAM SSD	KBS 
5	 Jim Stern Gets an Earful with DA-3000	DA-3000	Jim Stern 
6	 TASCAM Recording Gear Helps Define the Career of Kenny 'Tick' Salcido	Model 24	Kenny 'Tick' Salcido 
7	 TASCAM Brings Great Sound and Signal Distribution Efficiency to David Crowder's Studio	ML-16D ML-32D SERIES 8p Dyna	David Crowder 
8	 TASCAM Announces the TASCAM & Tommy Bolan Recording and Guitar Gear Giveaway Contest	Model 12 TM-80	Tommy Bolan 
9	 Reggae and Dub Producer Ras Sparrow's Production Centers Around the TASCAM Model 12	Model 12	Ras Sparrow 
10	 The TASCAM Mixcast 4 Podcast Station is Central to Producer/Presenter Cristina Gomez' Podcast Work	Mixcast 4 TASCAM Podcast Editor	Cristina Gomez 
11	 TASCAM Keeps the Music Flowing for Drummer / Percussionist Fredo Ortiz	Model 12 SERIES 208i SERIES 8p Dyna	Fredo Ortiz 
12	 The TASCAM Mixcast 4 Podcast Station is Central to Production of Podfest Podcasts	Mixcast 4 TM-70	Podfest 
13	 TASCAM Studio Technology Drives Lee Turner's Creative Process	CG-1000 SERIES 102i SERIES 8p Dyna TM-70	Lee Turner 
14	 Producer/Recording Engineer Tom Tierney Unifies Production with the TASCAM Model 24	Model 24	Tom Tierney Unifies 
15	 TASCAM Technology at the Heart of Johnny "Juice" Rosado's Recording Activities	Model 12 TA-1VP	Johnny "Juice" Rosado 
16	 KUT Radio Finds Success with TASCAM	DA-3000 SS-R250N	KUT Radio 

5-1 Simple Streaming System for Concerts & Events

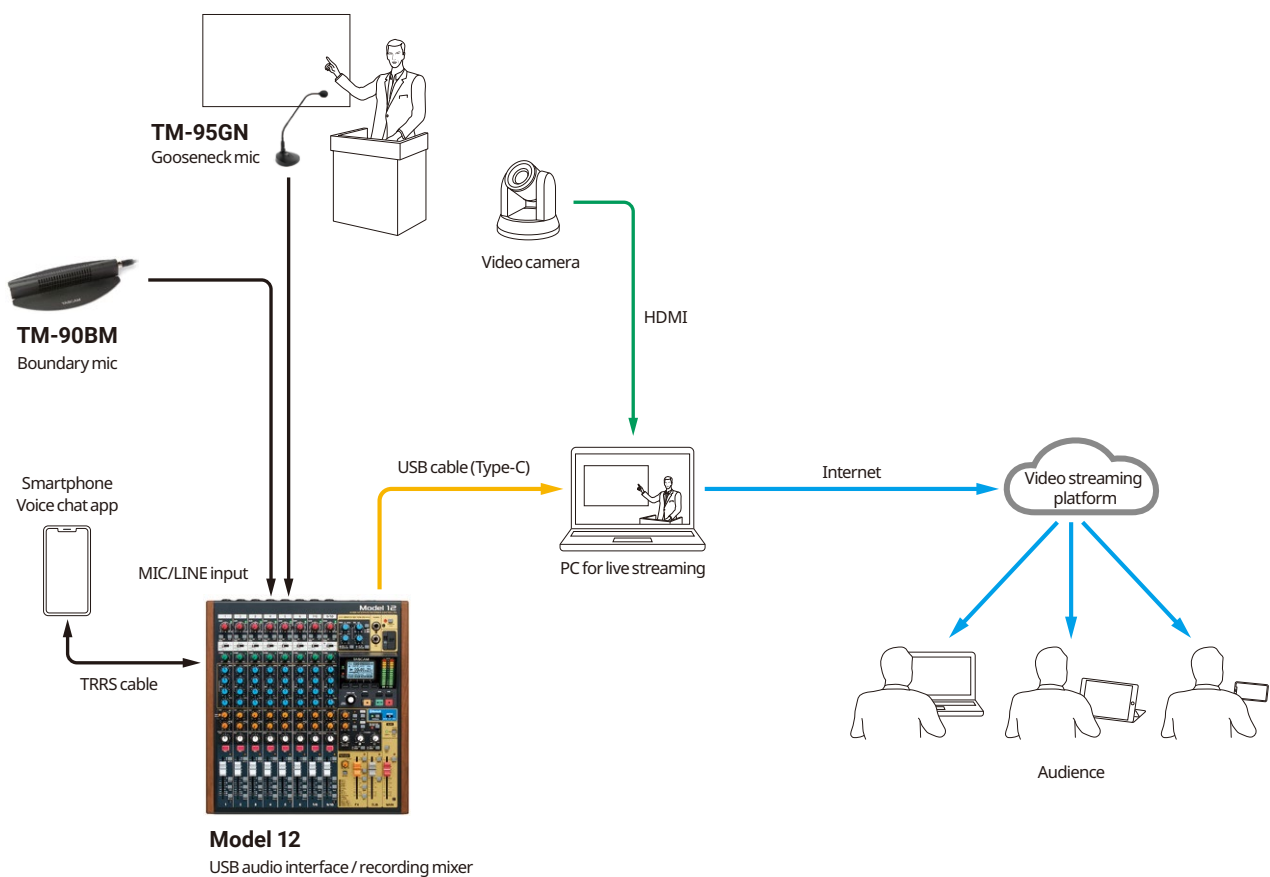
Easy Setup

Multi-channel Backup Recording

High Quality Audio Capture

Live streaming system that combines the TASCAM Model 12 with distribution software such as OBS. Using the Model 12's mixer/audio interface function, live streaming audio can be distributed all at once, while multi-track recording is simultaneously supported. In addition, the mix-minus function allows easy recording of guests joining via phone calls.

System Diagram



TASCAM Equipment Installed

Product Outline	Model Name	Remarks
Integrated Production Suite	Model 12	
Gooseneck condenser microphone	TM-95GN	
Boundary condenser microphone	TM-90BM	

5-2 Live Streaming/Multi-track Recording Using an iOS Device

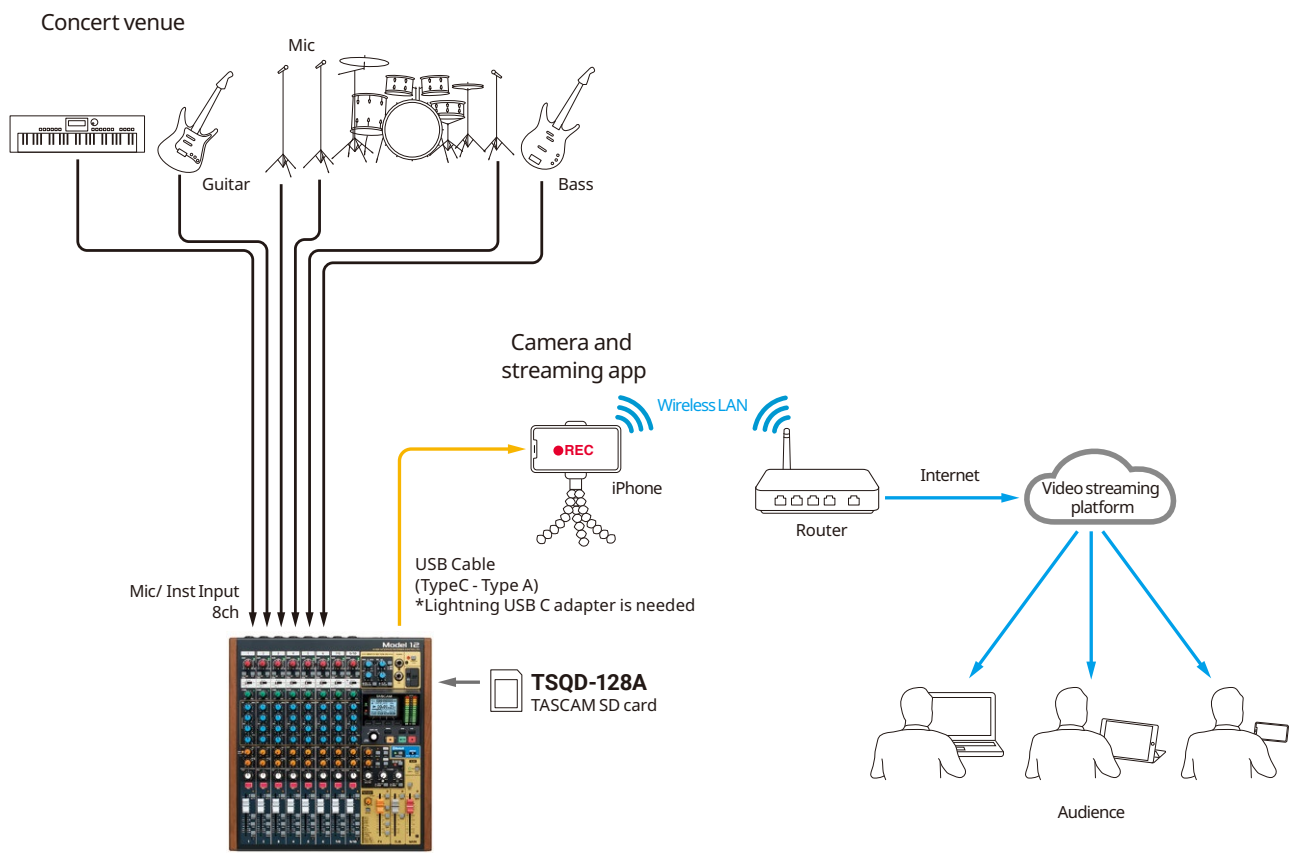
Distribution via iPhone

Simple Wiring

Multi-track Recording

This distribution system combines the CoreAudio-compatible Model 12 with an iOS/iPadOS device. While high-quality live streaming via YouTube Live, Nico Nico Live, Showroom, Instagram Live, Pococha, 17LIVE, and other iOS-only compatible applications can be easily integrated with the Model series, simultaneous multi-track recording is also possible.

System Diagram



Model 12
USB audio interface / recording mixer
Can be used for audio mixing, recording and as a streaming interface all at once

TASCAM Equipment Installed

Product Outline	Model Name	Remarks
Integrated Production Suite	Model 12	

5-3 Audio System for VTubers, Game-play and IRL Events

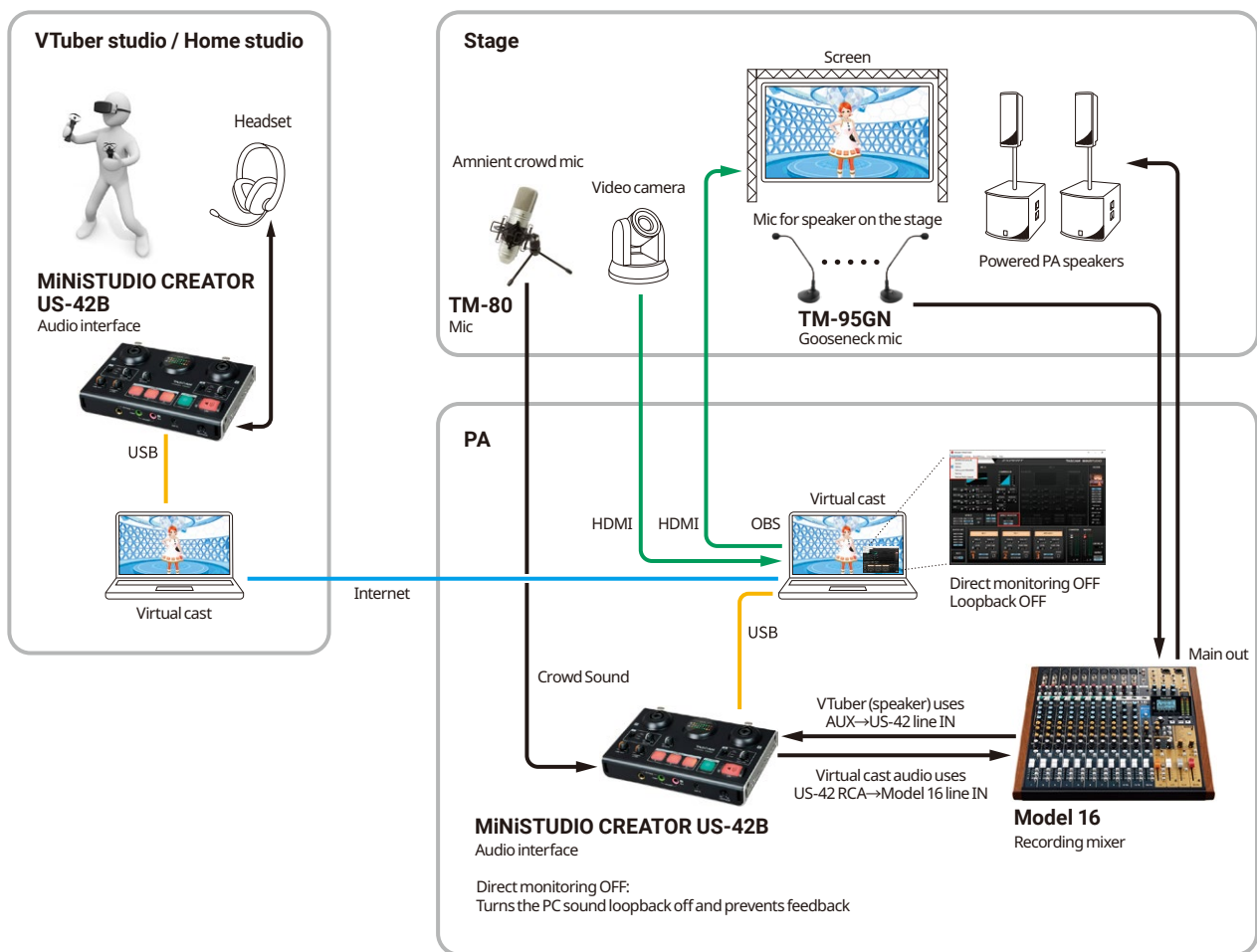
Long-distance Video Streaming

Multicast Distribution

Multi-track Recording

This setup consists of the Model 16 and MiNiSTUDIO CREATOR US-42B to build an audio system for VTubers, gamers, etc. in which remote and IRL performers engage in the same space. By turning off the direct monitor function of the MiNiSTUDIO CREATOR US-42, the volume can be adjusted individually without looping each other's audio. Also, by setting up a separate microphone to record the audience at the main venue allows for capturing the ambiance of the performers at the remote location.

System Diagram



TASCAM Equipment Installed

Product Outline	Model Name	Remarks
Audio interface	US-42B	
Recording mixer	Model 16	
Gooseneck condenser microphone	TM-95GN	
Condencer microphone	TM-80	

5-4 Live Internet Streaming of Audio Programs/Podcasts

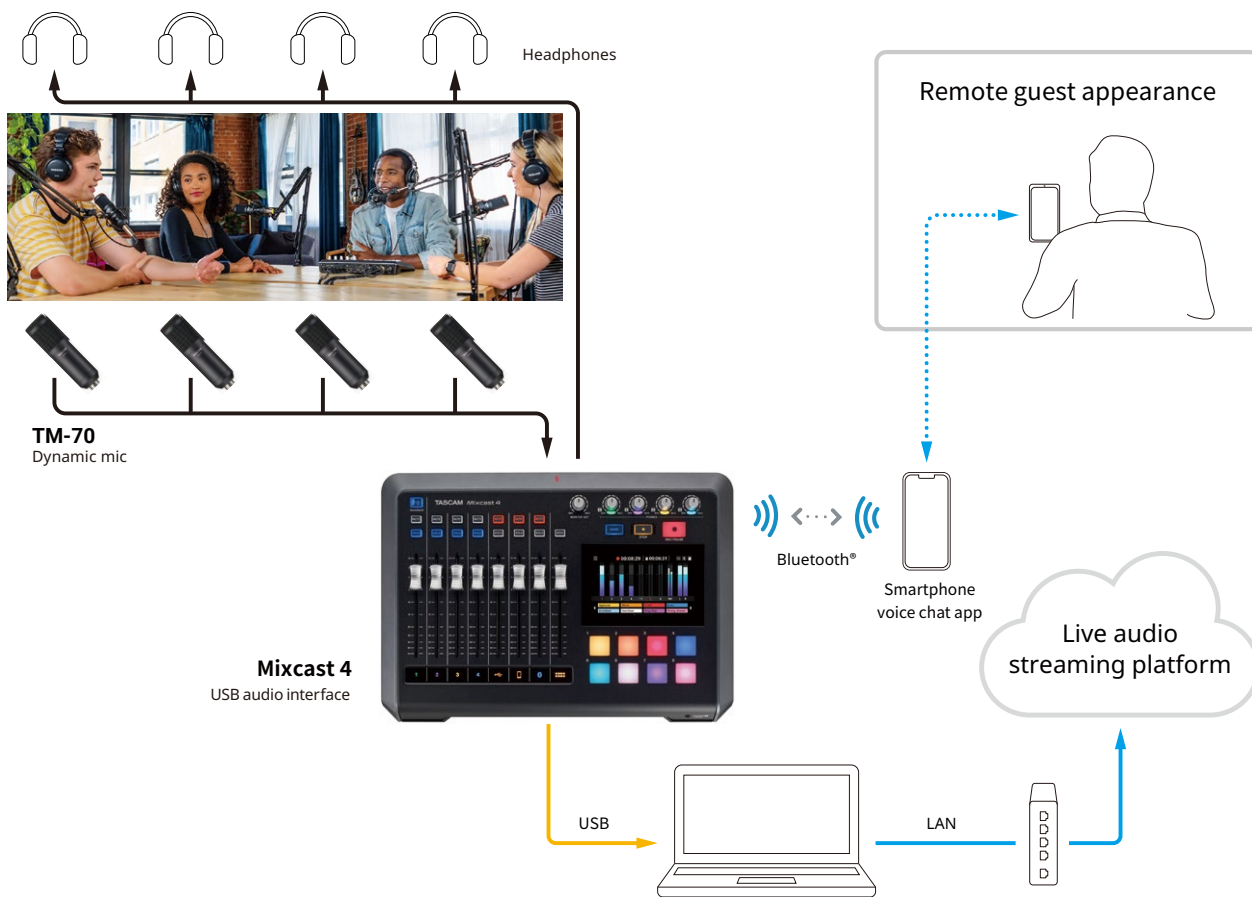
USB Audio Interface 2mix Output

Soundpads & Voice Effects

Mix-minus Function

The Mixcast 4 can be used to easily stream live audio content over the Internet, with 4 microphone inputs/4 headphone outputs for up to 4 people on site, and a USB audio interface for output of 2 mixes to a PC. It also supports the playback of jingles and sound effects using sound pads. The mix-minus function for Bluetooth® and line input also allows stress-free interviewing of guests via smartphones. Reverb, voice effects, and ducking functions are also included to deliver a wide variety of program content.

System Diagram



TASCAM Equipment Installed

Product Outline	Model Name	Remarks
Podcast Station with built-in Recorder / USB Audio Interface	Mixcast 4	
Simple Audio Editor for Podcast Creation	TASCAM Podcast Editor	
Dynamic microphone	TM-70	

5-5 Live Music Streaming/Archiving

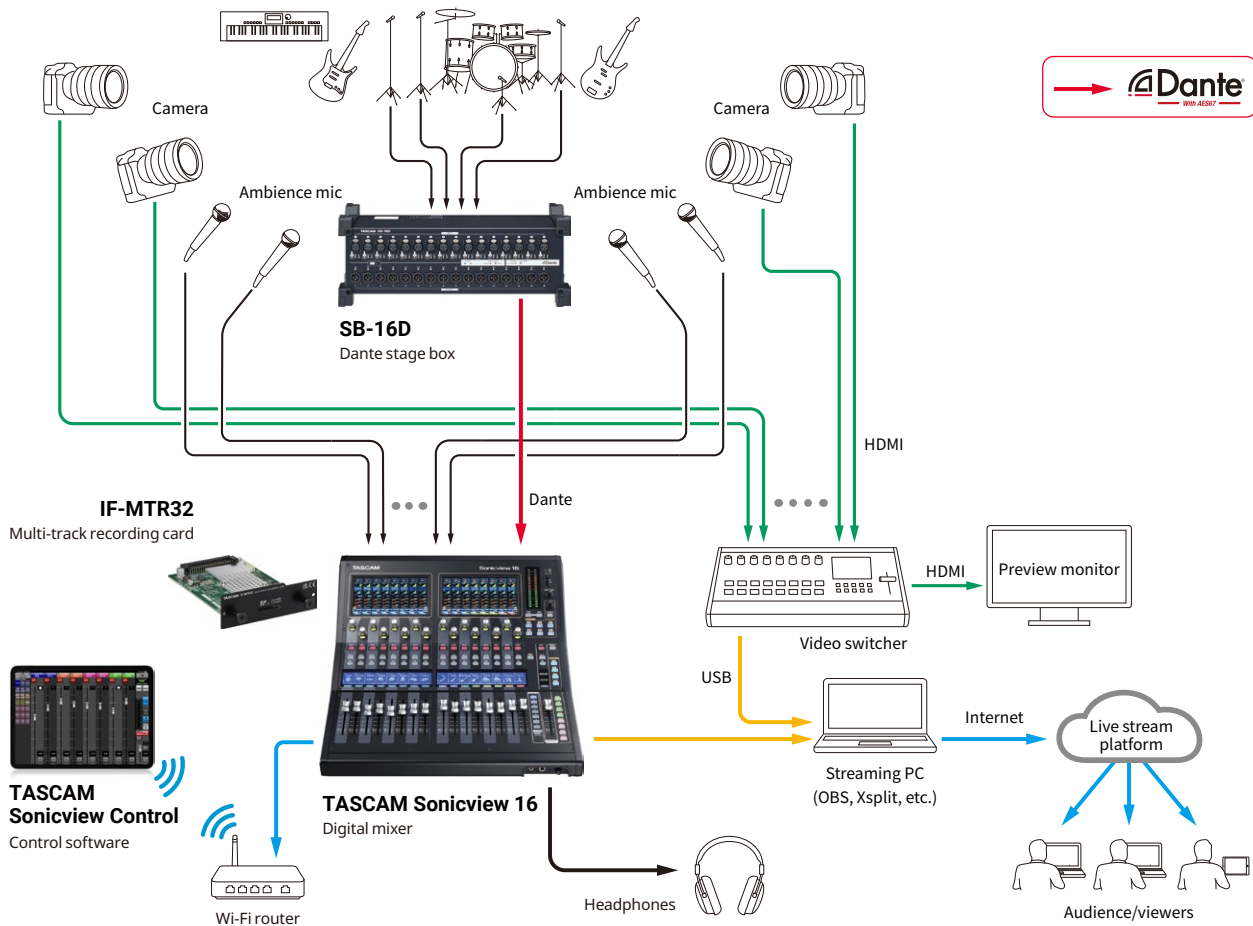
High Quality Audio

Delay Function

USB Audio Interface

Equipped with a Class 1 HDIA mic preamp, 32-bit ADC, and 54-bit float FPGA mixing engine, the TASCAM Sonicview can be used as a mixer for live music streaming. All master modules have a delay function that can be set up to 341ms, making it easy to sync video and audio. In addition, 2mix audio can be sent directly to a PC via the unit's USB audio interface to sync video without loss of sound quality. The SB-16D Dante stage box (16-in/16-out) allows for easy expansion of inputs, and the 32-channel multi-track recording card IF-MTR32 can be installed in the expansion slot to enable multi-track recording and live streaming. This can be useful for archival distribution, BD/DVD sales, and other content reuse.

System Diagram







TASCAM Equipment Installed

Product Outline	Model Name	Remarks
Digital mixer	TASCAM Sonicview 16	
Dante stage box	SB-16D	
32ch multi-track recording card	IF-MTR32	
Control software	TASCAM Sonicview Control	

Case Study

Click on the case study images to view detailed pages.

No.	Case study(Global)	Model number	
7	 TASCAM MiNiSTUDIO Delivers Broadcast Sound for Gaming on Tap Podcast	MiNiSTUDIO CREATOR US-42	Gaming on Tap 
8	 MiNiSTUDIO US-42 Key for Colon Cancer Podcast	MiNiSTUDIO CREATOR US-42	Colon Cancer Podcast 
9	 All Things Post Podcasts with MiNiSTUDIO Creator	MiNiSTUDIO CREATOR US-42	All Things Post 
10	 Podcasters rAve About MiNiSTUDIO at InfoComm	MiNiSTUDIO CREATOR US-42	InfoComm 2016 
11	 The TASCAM VS-R265 4K/UHD Streamer/Recorder Helps Del Castillo Livestream Globally	VS-R265	Del Castillo 
12	 The TASCAM Model 12 is Central to Michael Sandoval's Audio/Livestreaming & Video Production	Model 12	Michael Sandoval 
13	 TASCAM's Mixcast 4 Podcast Station Makes An Important Impact in Education	Mixcast 4	Impact in Education 
14	 TASCAM is at the Heart of Nicki Sun's Creative Efforts	Mixcast 4 TM-70	Nicki Sun 
15	 TASCAM's Mixcast 4 Podcast Station is Central to Production of The Dark Side of the Cooks	Mixcast 4 TM-70	Dark Side of the Cooks 
16	 TASCAM's Mixcast 4 Podcast Station Helps Howard Olsen Educate and Inspire	Mixcast 4	Howard Olsen 

MEMO

.....

.....

.....

.....

.....

.....

.....

.....

.....

.....

Main product information

- Click the Model Name to see the specifications on our website.
- Some products may not be available depending on your country, region, distributor, etc.

Rack mountable products

Mode Name	Unit	Depth (mm)	Weight (kg)	Power Consumption (W)
BD-MP1MKII	1U	280.7	2.64	30
BD-MP4K	1U	280.7	2.78	30
BO-16DX/IN	1U	54.5	0.9	-
CD-200	2U	298	4.2	7
CD-400U	1U	300.5	3.2	20
CD-6010	2U	303	4.9	12.5
CG-2000	1U	299	3.3	14
DA-6400	1U	304.8	3.9	21
DA-6400dp	1U	304.8	4.0	21
MA-BT240	1U Half rack	298	2.45	58 *1
MH-8	1U	280	3.8	36
ML-16D	1U	303.8	3.3	14
ML-32D	1U	303.8	3.5	22
ML-4D/OUT-X	1U Half rack	136.1	0.863	4
MM-2D-E	1U Half rack	136.1	0.878	6
MM-2D-X	1U Half rack	136.1	0.878	6
MM-4D/IN-X	1U Half rack	136.1	0.885	7.5
MX-8A	1U	304.1	3.0	21
MZ-123BT	1U	274.8	3.0	25
MZ-223	2U	93.2	2.5	35
SB-16D	3U	120 *2	4.5	44
SS-CDR250N	1U	300.5	3.2	22
SS-R250N	1U	300.5	2.9	20
202MKVII	3U	285.8	5.4	14

*1 18W when idle

*2 Rack-mounted size. Depth size is 140mm with standard foot.

Model series

Model Name	Size W×H×D (mm)	Weight (kg)	Power Consumption (W)
Model 12	343 × 98.8 × 360	4.3	16
Model 16	430 × 112.9 × 463	7	40
Model 24	577 × 106 × 529	10.4	52

Sonicview series

Model Name	Size W×H×D (mm)	Weight (kg)	Power Consumption (W)
Sonicview 16	472.0 × 228.1 × 554.4	13	65
Sonicview 24	690.8 × 228.1 × 554.4	18	85

Index

- A**
AK-RS1 6, 12, 13, 17
- B**
BD-MP1MKII 4, 5, 7, 8, 10,
BD-MP4K 36
BO-16DX/IN 22
- C**
CD-200BT 10, 14
CD-400U 5, 7, 8, 11, 14, 15, 16, 17, 18, 19
CD-6010 32, 33
CG-2000 32, 33
- D**
DA-6400 6, 21, 24, 25, 26, 27, 28
DA-6400dp 24, 25, 26, 27, 28
- I**
IF-AE16 32, 33
IF-DA2 6, 12, 17, 20, 24
IF-DA64 6, 21, 24, 25, 26, 27, 28
IF-MTR32 43
- M**
MA-BT240 4, 5, 7, 14, 15, 16, 18, 19, 20
MH-8 31, 32, 33
Mixcast 4 35, 42
ML-16D 22
ML-32D 22, 28
ML-4D/OUT-X 6, 12, 13, 17
MM-2D 20
MM-4D/IN-X 6, 12, 13, 17
Model 12 39, 40
Model 16 10, 11, 41
Model 24 5, 8
MX-8A 4, 7, 11, 18, 19
MZ-123BT 14, 31
MZ-223 16
- P**
PS-P1220E 6, 12, 13, 17
- R**
RC-SS150 32, 33
RC-W100-120 4, 7, 11, 18
- S**
SB-16D 21, 22, 23, 24, 25, 27, 33, 34, 43
SS-CDR250N 4, 6, 7, 12, 13, 18, 19, 24, 25, 32, 33
SS-R250N 11, 17, 20, 32, 33
- T**
TASCAM DCP CONNECT 6, 12, 13, 17, 20
TASCAM EZ CONNECT 4, 6, 7, 11, 17, 18
TASCAM MX CONNECT 4, 7, 11, 18, 19
TASCAM Podcast Editor 35, 42
TASCAM Sonicview Control 24, 43
TASCAM Sonicview 16 17, 22, 34, 43
TASCAM Sonicview 24 21, 23, 24, 25, 27, 32, 33
TM-70 32, 33, 35, 42
TM-80 41
TM-82 5, 8, 10, 11, 15, 16, 18, 19, 25
TM-90BM 4, 31, 39
TM-95GN .. 4, 5, 6, 7, 8, 10, 11, 12, 13, 14, 17, 18, 19, 20, 31
32, 39, 41
TSQD-32A 40
- U**
US-42B 41
- 0-9**
202MKVII 7, 8, 10, 11, 18, 19

TASCAM Sound. Thinking.

Please note that not all models and colors are available in every country. Design and specifications subject to change without notice. ©2024 TEAC Corporation. All Rights Reserved. All text, images, graphics and other materials on this brochure are subject to the copyright and other intellectual property rights of TEAC Corporation. These materials shall not directly or indirectly be published, reproduced, modified or distributed in any medium. TEAC and TASCAM are trademarks or registered trademarks of TEAC Corporation. Dante is a trademark of Audinate Pty Ltd. Other brands and product names are trademarks or registered trademarks of respective owners.

Authorized Distributors

TASCAM[®]

TEAC CORPORATION

1-47, Ochiai, Tama-shi, Tokyo 206-8530, Japan

<https://tascam.jp/int>

ISSUED IN JAPAN 2401 D7364H