

# GLOBAL BLOCK

## DECLARACIÓN DE CONFORMIDAD



**GLOBAL BLOCK S.L.** C/ Mayor nº 18, 46192  
Montserrat-Valencia-España C.I.F. B98192511

**Declara bajo su exclusiva responsabilidad que el producto:**

MARCA:	BLOCK & BLOCK
DESCRIPCION:	TORRE ELEVADORA
MODELO:	OMEGA 50
NUMERO DE SERIE:	041632001
ALTURA MAXIMA:	6.25 m
ALTURA MINIMA:	1.58 m
CARGA MAXIMA:	200 kg
CARGA MINIMA:	25 kg
PESO:	106 kg

es conforme con la Directiva 2006/42/CE del Parlamento Europeo y del Consejo, de 17 de mayo de 2006, relativa a las máquinas y por la que se modifica la Directiva 95/16/CE. Habiendo constituido el correspondiente expediente tecnico de construcción y para que conste a los efectos oportunos emite la presente declaración de conformidad.

Este producto ha sido diseñado cumpliendo las normas:

-**BGV C1**: "Accident prevention regulations for event and production for stage performances".

-**BGG 912**: "Testing of safety and mechanical equipment in staging and production for stage performances".

La persona encargada de la recopilación del expediente tecnico es D. Andrés Selfa Valiente.

*En Montserrat, a 15 de abril de 2016*

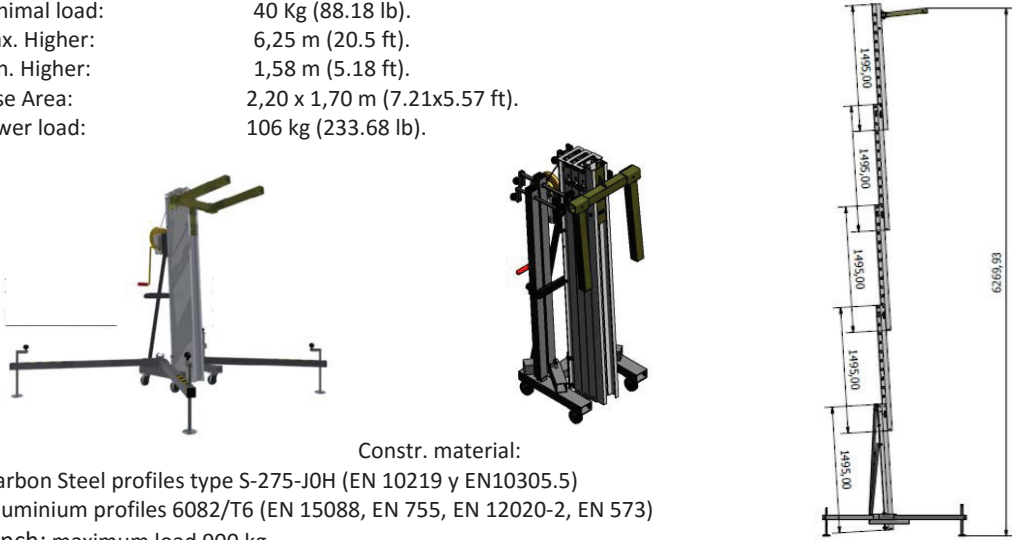
Firmado: D. Andrés Selfa Valiente

<b>C16.041G</b>	<b>CERTIFICATE</b>	
Page 1 of 1		

<b>Certificate date:</b>	05-07-2016
<b>Issued to:</b>	GLOBAL BLOCK S.L. C/ Mayor nº 18, 46192 Montserrat-Valencia

The Inspector that signs this certificate has done the report nº 7248.16G for the revision of the manufacturer documentation and machines design assessment, based on:

- Directive 2006/42/CE on machinery that establish "Essential health and safety requirements relating to the design and construction of machinery".
- la BGV C1: "Accident prevention regulations for event and production for stage performances"
- BGG 912: "Testing of safety and mechanical equipment in staging and production for stage performances".

	<b>NAME:</b> Manual Handling Lifting Towers
	<b>MARK:</b> GLOBAL BLOCK S.L. (Commercial name BLOCK&BLOCK)
	<b>REFERENCE / TYPE / MODEL:</b> OMEGA 50
<b>Description:</b>	<p>Manual lifting tower for frontal loads elevation for line array type sound systems at different higher.</p> <p>Maximum load: 200 kg (441 lb)./ 160 kg (352 lb)./ 120 kg (264 lb).</p> <p>Minimal load: 40 Kg (88.18 lb).</p> <p>Max. Higher: 6,25 m (20.5 ft).</p> <p>Min. Higher: 1,58 m (5.18 ft).</p> <p>Base Area: 2,20 x 1,70 m (7.21x5.57 ft).</p> <p>Tower load: 106 kg (233.68 lb).</p>
	
	<p style="text-align: center;"><b>Constr. material:</b></p> <ul style="list-style-type: none"> <li>· Carbon Steel profiles type S-275-J0H (EN 10219 y EN10305.5)</li> <li>· Aluminium profiles 6082/T6 (EN 15088, EN 755, EN 12020-2, EN 573)</li> </ul> <p>Winch: maximum load 900 kg</p> <p>Cable: galvanized steel type 6x19+1 EN13414-1, strength quality 1770 N/mm<sup>2</sup>, diameter 4mm</p> <p>Locking system for block the tower at different higher</p> <p>Vial for level control</p> <p>Earth connexion</p>
<p>Each lifting tower has to be supplied with an EC declaration of conformity, including serial number and date of manufacturing. To comply with BGG 912, for some event or production, an inspection done by an expert could be required before start up.</p>	

Based on reviewed documents, the inspector certifies that the machine COMPLIES with all minimal design dispositions of the regulations applied.

In Bergondo at, July 5, 2016



DEKRA Ambio, S.A. **Mate Fernández Varela**  
 P. I. Bergondo Parcela 99 Mines and Materials Engineer  
 15165 Bergondo (A CORUÑA) Industrial Safety  
 Tel. 981 97 02 52  
 Fax 981 97 02 53