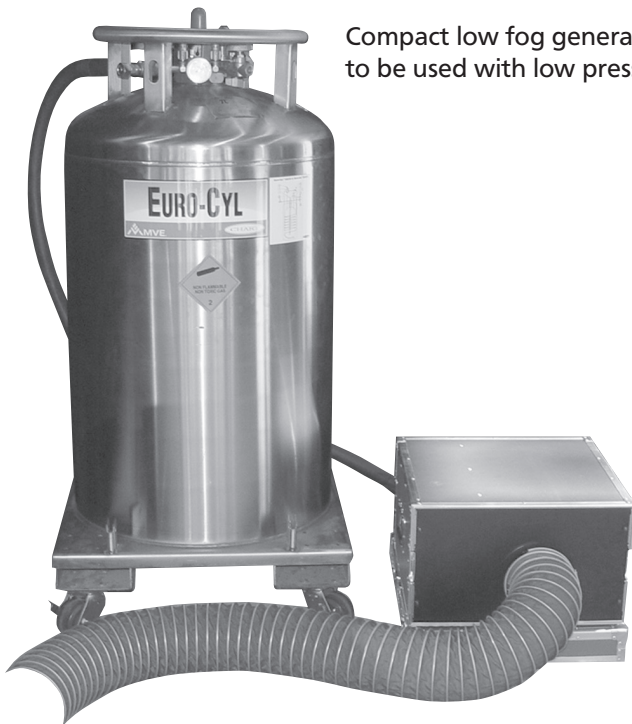


# CRYO FOG

LOW PRESSURE

a Look Solutions product

Compact low fog generator  
to be used with low pressure tank



equal and thick low fog

compact & powerful

made in Germany

The **Cryo-Fog** is a powerful low fog generator with 2300 Watt.

All build into a compact flightcase (67 x 51 x 30 cm), the **Cryo-Fog** contains a low temperature fog machine, a fan as well as a cooling chamber with space next to the fog generator to hold a 5 ltr can of fluid.

Liquid CO<sub>2</sub> is used to cool down the fog. Thus, the machine produces thick low fog which distributes equally.

The machine is powerful enough to fill even big stages with low fog within a short time.

The liquid CO<sub>2</sub> is delivered from a low pressure tank (20 - 24 Bar), which is connected to the machine via a tube (supplied with the machine).

In most regions the tank can be rented from companies which sell carbon dioxide. These companies also offer a refill service.

Tanks and bottles with high pressure cannot be used with this version of the **Cryo-Fog**.

The intelligent technology ensures that the fogging process will not start before the cooling chamber has reached the right temperature. As a result, no „warm“ fog - which will go upwards - can escape from the machine.

The **Cryo-Fog** benefits from its compact size, the low weight, the powerful output, the low noise and easy operation.

## Features

- Fine adjustments of the pump  
Digital technology ensures fine adjustments of the pump. The output can be adjusted in steps of 1% from 0 - 99%. Thus, any desired effect can be produced.  
Also the fan can be adjusted separately from 0 - 99% if the machine is controlled via DMX. If controlled via analog or stand alone the fan runs on a pre-programmed level.

- DMX 512 as standard

The **Cryo-Fog** can be controlled via *DMX 512*. The machine needs three following channels on the desk.

Thus, the pump, fan and cooling can be adjusted separately. Therefore the fog output, distribution of the fog and the temperature respectively the height of the fog can be adjusted.

The DMX start address can be adjusted and saved via the control panel. It will be saved even if the machine is disconnected from the mains.

If the **Cryo-Fog** is controlled via DMX, the machine can also be used as a normal fog generator.

The machine can also be controlled with *analogue (0 - 10V)* via a desk or the XLR-remote (option). The fogging process starts automatically as soon as the cooling chamber is cold enough. The fan runs on a pre-programmed level.

A *stand-alone-mode* is also possible. The pump level can be adjusted directly at the machine, the fan runs on the pre-programmed level. After pushing the start button shortly, the fogging process starts as soon as the cooling chamber is cold enough.

- LED-Display

The control panel with LED-display and simple symbols allows easy operation.

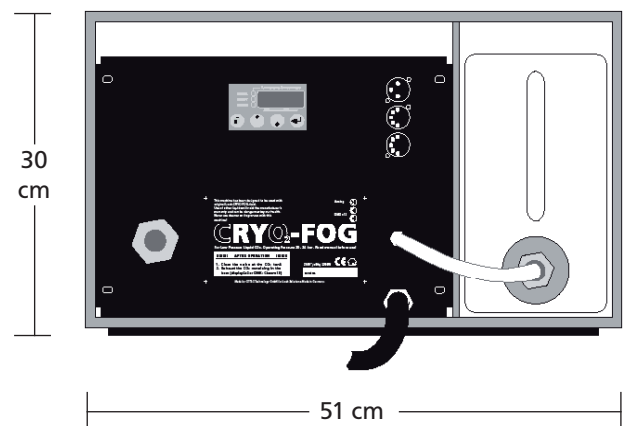
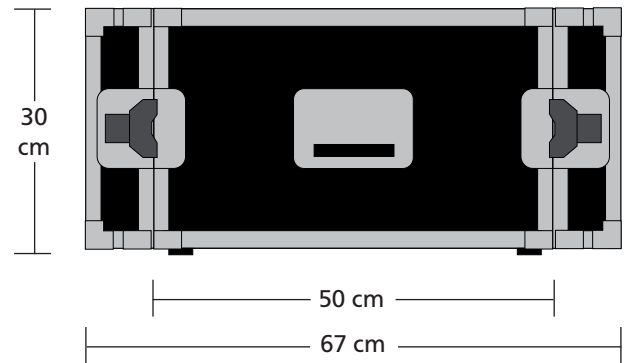
## Fluid

The **Cryo-Fog** needs a special fluid.

## Technical data

<b>Procedure</b>	Vaporizing fog generator with cooling system
<b>Total requirement</b>	2300 W / 1700 W (120 V)
<b>Power requirement</b>	2000 W / 1400 W (120 V)
<b>Voltage</b>	230 V/50 Hz or 120 V/60 Hz
<b>Warm up time</b>	approx. 10 min.
<b>Fluid consumption at max. output</b>	100 ml/min.
<b>at 50% output</b>	40 ml/min.
<b>Liquid-CO<sub>2</sub>-consumption at max. output</b>	2 kg/min.
<b>Fluid tank capacity</b>	5 liter
<b>Fog output</b>	adjustable in 99 steps
<b>Fogging time</b>	continuous output
<b>Temperature control</b>	Microprocessor controlled
<b>Overheating protection</b>	Heater block/Thermostat Pump/Thermal switch
<b>Control</b>	DMX 512 0 - 10 V analogue Stand alone
<b>Dimensions (L x W x H)</b>	67 x 51 x 30 cm
<b>Weight w/out bottle</b>	28 kg

## Dimensions



## Advantages

- Fog generator, fan and cooling chamber built into a compact flightcase
- DMX 512 as standard, analogue (0 - 10 V) and stand-alone-mode
- Output adjustable in steps of 1%
- Pump, fan and cooling adjustable seperately when controlled via DMX, therefore high flexibility
- Can be used as a normal fog machine if controlled via DMX
- Fogging process starts only if the cooling chamber is cold enough
- Powerful output
- Continuous output
- Made in Germany

## Accessories

- XLR-remote for analogue control