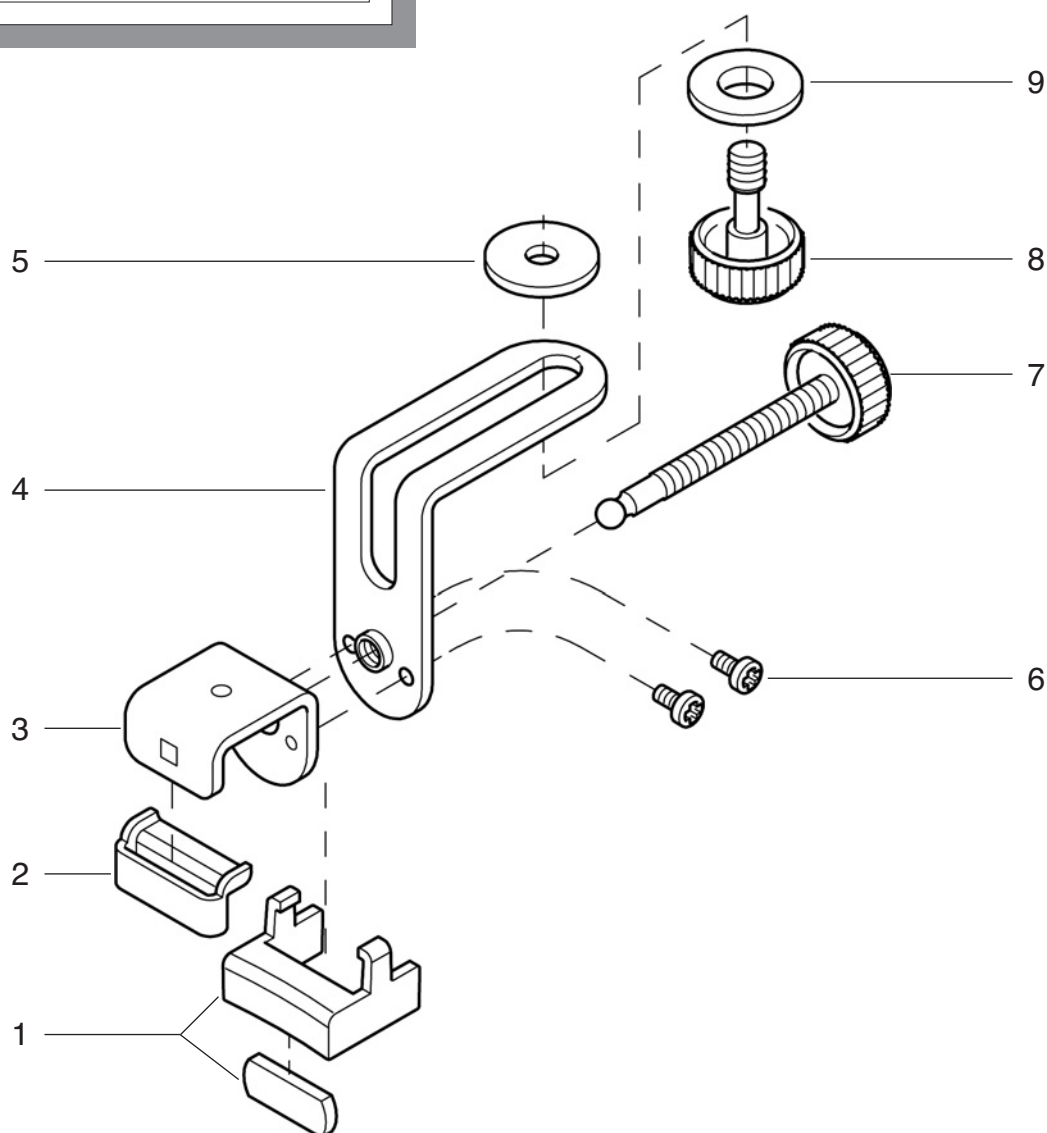


**24030 Mic Holder For Drums**

24030.300.01 nickel

24030.300.55 black



pos.	description	art.-no. nickel	art.-no. black	qty
1	plastic locking spacer cpl.	6.86755.1.55	6.86755.1.55	1
2	cap	01.87.135.55	01.87.135.55	1
3	U-clamp	01.27.070.01	01.27.070.55	1
4	L-clamp	01.27.158.01	01.27.158.55	1
5	rubber punching	03.21.895.55	03.21.895.55	1
6	screw M3,5 x 6 mm	03.05.022.29	03.05.022.29	2
7	knurled knob M6 x 42 mm	01.82.858.55	01.82.858.55	1
8	knurled knob 3/8" x 18,5 mm	01.82.896.55	01.82.896.55	1
9	rubber punching	03.21.898.55	03.21.898.55	1