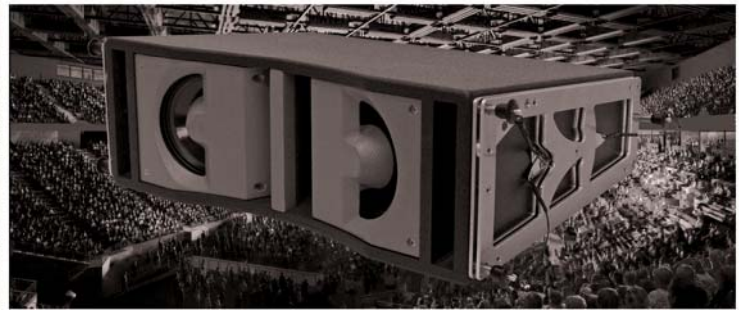
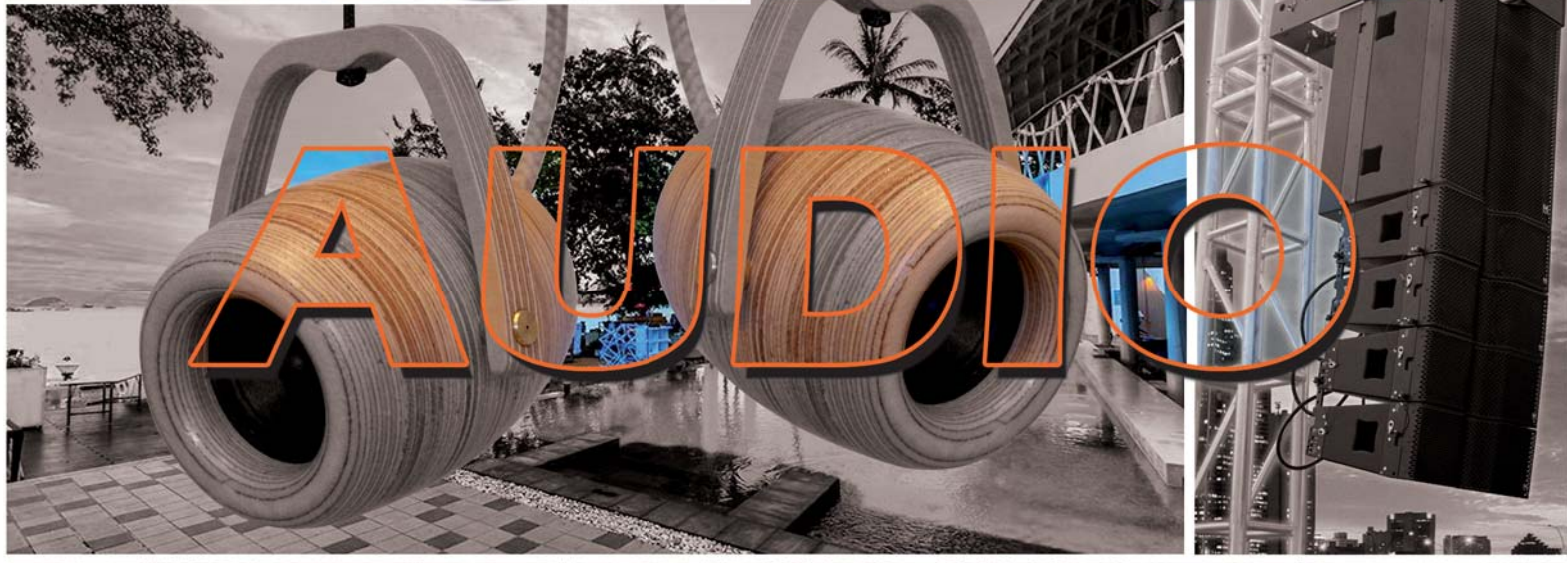


CURVE SERIES



HORTUS AUDIO CATALOG





CT2.1: ANALOG CONTROLLER 2 INPUTS, 3 OUTPUTS

Technical Specifications

- Full range Mode or Active 2 ways (bass mono)
- Input: Jack XLR electronical balanced combo
- Output: Unbalanced XLR
- Frequency Response: 20 Hz - 20 KHz (-3dB)
- Filter Slope: 18 dB/octave
- Sensitivity: 0 dBv

- Saturation threshold: 24 dBv
- Distortion THD: < 0.01% 20 Hz - 20 KHz à 0 dBv
- S/N Ratio: < -87 dB
- Infra Low Filter 35 Hz / Section SUB 35 - 125 Hz
- Mid / Treble: 125 - 20 KHz
- Power requirements: 230 Volts, 50 Hz
- Consumption: 150 mA
- Dim. 19"/1U, 483 x 45 x 105 mm, Wht: 2,38 Kg



AMS1: ANALOG CONTROLLER 2 INPUTS, 4 OUTPUTS

Technical Specifications

- Inputs: F balanced electronic XLR
- Gain setting on each output
- Dynamic Range: >95 dB (20 Hz to 20 kHz)
- Input Impedance: 12 k Ω
- Sensitivity: 0 dBu
- Saturation threshold: + 15 dBu
- Outputs: M balanced electronical XLR
- Max. output level: +20 dBu @ 600 Ω

- Output impedance: 200 Ω
- Frequency Response: 20 Hz to 20 kHz @ - 3 dB
- Crosstalk: > 80 dBu, 20 Hz to 20 kHz
- Distortion (DHT): < 0.1% 20 Hz to 20 kHz
- Dim. 19"/1U, 483 x 44,5 x 105 mm / Wht: 2,54 Kg

- Full Range Mode:** 35Hz to 20 kHz
Active 2-way Mode:
 - Sub: 35 Hz to 120 Hz
 - Medium / Treble: 120 Hz to 20 kHz
 - Phase Inversion on Bass Section



HSL-24 DSP PROCESSOR

Technical Specifications

- 2 inputs / 4 outputs
- DSP 32 bit
- Converters AN / NA: 96 kHz
- Software for PC
- USB Interface
- Format rack 19" - 1U
- Dim. 483 x 44,5 x 205 mm / Wht: 2,54 Kg



HSL-36 DSP PROCESSOR

Technical specs similar to HSL-24

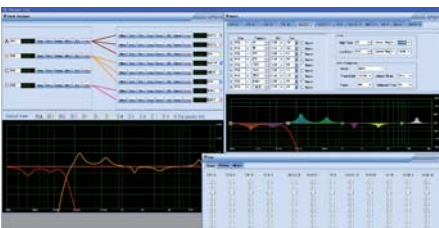
- 3 inputs / 6 outputs
- Dim. 483 x 44,5 x 265 mm / Wht: 2,96 Kg



HSL-48 DSP PROCESSOR

Technical Specifications

- 4 inputs / 8 outputs
- DSP 32 bit
- Converters AN / NA: 96 kHz
- Software for PC
- USB + WIFI Interface
- Format rack 19" - 1U
- Dim. 483 x 44,5 x 265 mm / Wht: 2,99 Kg



HSL-48 Software

	HSL-24	HSL-36	HSL-48
	INPUTS		
Inputs	2	3	4
PEQ - low/HighShelf	-40dB -> +12dB		
Graphical Equalizer	NO		30 Bands
Phase Inversion	YES		
Delay	0 -> 20ms		0 -> 1000ms
	OUTPUTS		
Outputs	4	6	8
GAIN	-40dB -> +12dB		
PEQ - low/HighShelf	6		9
Phase Inversion	YES		
Delay	0 -> 20ms		0 -> 1000ms
Compressor	NO		
Threshold (step 1dBu)	-10dBu -> +20dBu		-20dBu -> +22dBu
Attack Time (ms)	1 / 2 / 5 / 10 / 20 / 50 / 90		1 / 2 / 5 / 10 / 20 / 50 / 100
Release time	2X / 4X / 8X / 16X / 32X		
High Pass	Butterwoth/Bessel/Linkwitz Riley (12/-18/-24/-48dB)		
Low Pass	Butterwoth/Bessel/Linkwitz Riley (12/-18/-24/-48dB)		



AK SERIES



AK SERIES AMPLIFIERS

Common Specifications:

- Slew Rate (@ 1 kHz, LPF by passed): > 10V/ μ s
- Sensitivity: 0.775V/1.4V
- THD: < 0.05%, 20 Hz - 20 kHz
- DIM30: = / < 0.35%
- Crosstalk (at 1 kHz / at 20 kHz): -75 dB / -58 dB
- Freq. Response (1W): 20 Hz~20 kHz, +0/-1 dB

- Impedances:

- Balanced: 20 k Ω / Unbalanced: 10 k Ω
- Damping Factor: (10 Hz - 400 Hz): > 200
- Signal / Noise (weighted average 20 Hz - 20 kHz): > 100 dB
- Power Supply: AC~220-240V (50 Hz)
- Protection against short-circuit
- Dim. 482 x 227 x 88 mm / Wht: 7.15 Kg

REF	8 Ω POWER	4 Ω POWER	BRIDGE 8 Ω
AK2-500	2 x 500 W	2 x 800 W	1600 W
AK2-700	2 x 700 W	2 x 1000 W	2000 W
AK2-1000	2 x 1000 W	2 x 1400 W	2800 W
AK4-300	4 x 300 W	4 x 500 W	2 x 1000 W
AK4-700	4 x 700 W	4 x 1000 W	2 x 2000 W

EA SERIES AMPLIFIERS

Common Specifications:

- Slew Rate (@ 1kHz, LPF by passed): 50V/ μ s
- Sensitivity: 1 Vrms
- THD: 0.05%
- DIM30: 0.05%
- Crosstalk (at 1 kHz / at 20 kHz): -70 dB
- Frequency Response (1W): 0~-2 dB
- Impedances:
Balanced: 20 k Ω / Unbalanced: 10k Ω
- Damping Factor: (10 Hz - 400 Hz) \geq 200
- Signal / Noise (weighted average 20 Hz - 20 kHz): \geq 105 dB
- Power Supply: AC~ 100-240V (50-60 Hz)
- Protection against short-circuit
- Dim. 483 x 370 x 44 mm / Wht: 8.15 Kg

D CLASS AMPLIFIERS



REF	8 Ω POWER	4 Ω POWER	2 Ω POWER	BRIDGE 8 Ω	BRIDGE 4 Ω
EA-450	2 x 450 W	2 x 800 W	2 x 1400 W	1600 W	2800 W
EA-1000	2 x 1000 W	2 x 1700 W	2 x 2800 W	3200 W	5600 W
EA-2000	2 x 2000 W	2 x 3000 W	NO	6400 W	NO

MIRAGE SYSTEMS

MIB-8:

- LF 1 x 8" Band Pass 6th order enclosure
- Baltic Birchwood (varnished) or black/white finished polyurethane painting

- Passive Version:

- Input on Phoenix connector
- Power: 280 W AES / 560 W Progr. / 8 Ω
- Dim. H445 x P195 x L570 mm

- Active Version:

- 3-way amplified with integrated DSP
- Balanced stereo inputs on 2 x XLR
- 2 Amplified outputs for satellite speakers: 2 x Speakon Connectors
- Dim. H445 x P195 x L620 mm



*For Phoenix versions the connectors are included.



Wall Mounting Plate (included)

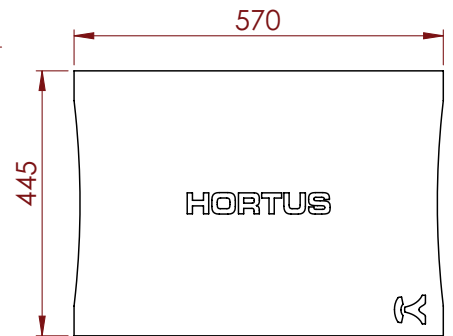
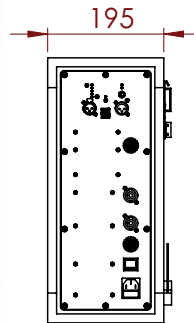
Satellite Speakers:

MI-12: HF 1 x 2" / 8 Ω, vented enclosure

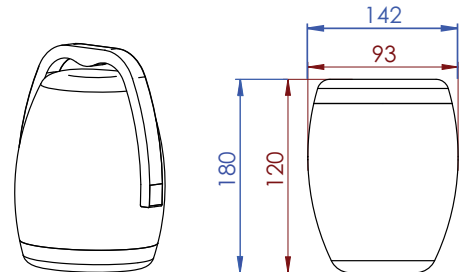
- AES Power: 10W / 20W Program
- Delivered with 1 m cable and fixing bracket (wood)

MI-13: HF 1 x 3" / 8 Ω, vented enclosure

- AES Power: 20W / 40W Programme
- Delivered with 1 m cable and 1 HO-RI-SR10



Passive Version dimensions



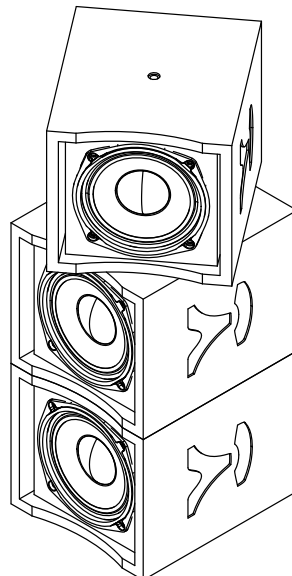
MI-12 / MI-13

Baltic Birchwood varnished or black/white polyurethane painting



Q5 MULTIFUNCTIONAL CABINET / MINI MONITOR

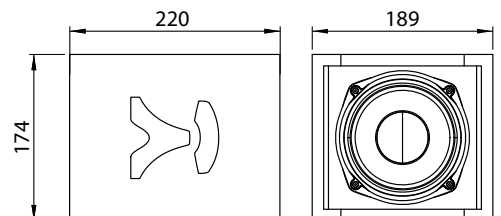
- Power: 80 W AES / 160 W program
- Bandwidth (-6dB): 70 Hz to 18 KHz
- Sensitivity: 89 dB
- Directivity: 120°H x 120°V Conical
- LF: 1 x HP 5" Bass-reflex
- Connections: Phoenix
- Baltic Birchwood 12 mm
- 1 x M10 + 2 x M6 (rear part for SR10)
- Dimensions: H174 x P220 x L189 mm, 4.2 Kg



(Included Phoenix Connectors)



- Baltic Birchwood varnished or black/white polyurethane painting



Q5-PB Phoenix black 8 Ω

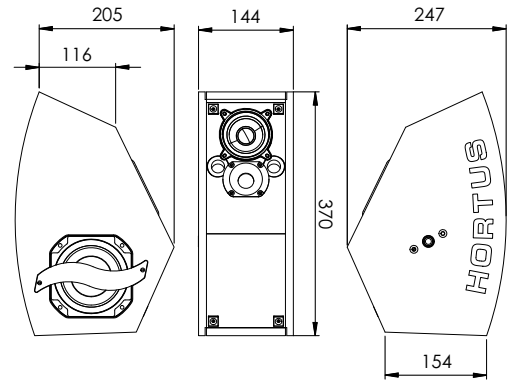
Q5-PW Phoenix white 8 Ω

HO-RI-SR10 Aluminium wall mounting (option)

BZ5

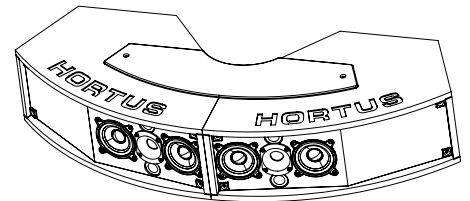
3-Way Full Range Speaker

- AES Power: 80 W / 8 Ω
- Bandwidth (-6dB): 90 Hz to 20 KHz
- Sensitivity: 88 dB / 1W @1m
- SPL MAX Level: 107 dB
- Directivity (-6dB): 100° H x 60° V
- **LF:** 1 x speaker 5" bass-reflex
- **MF:** 1 x speaker 3" bass-reflex
- **HF:** 1 x Tweeter 0.25"
- Connections: 2 Spk NL4 or Phoenix 4 pts
- Rigging: 1 x M10 (for bracket)
2 x M6 (for wall mounting ball)
1 x M6 (for safety chain)
- 12 mm Baltic Birch wood
- Finished polyurethane painting
- Dim. H370 x P247 x L144 mm / Wht 4.5 kg



- BZ5-PB** Phoenix Black
- BZ5-SB** Speakon Black
- BZ5-PW** Phoenix White
- BZ5-SW** Speakon White
- BZ5/*C** Colour (RAL)

*For Phoenix versions all connectors are included.

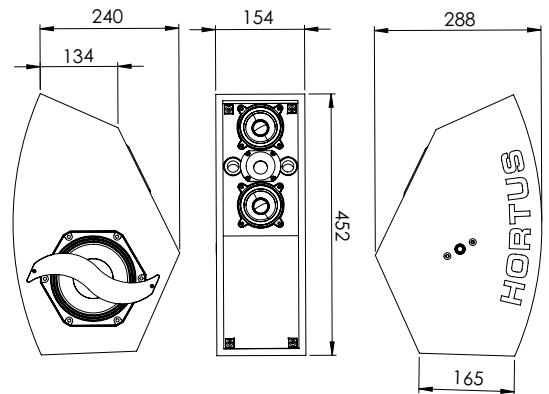


Black coupling plate for 2 x BZ
HO-RI-PC-BZ5 Coupling plate for BZ5
HO-RI-PC-BZ6 Coupling plate for BZ6

BZ6

3-Way Full Range Speaker

- AES Power: 100 W / 8 Ω
- Bandwidth (-6dB): 75 Hz to 20 KHz
- Sensitivity: 91 dB / 1W @1m
- SPL MAX Level: 109 dB
- Directivity (-6dB): 100° H x 60° V
- **LF:** 1 x 6" bass-reflex speaker
- **MF:** 2 x 3" bass-reflex speaker
- **HF:** 1 x Tweeter 0.25"
- Connections: 2 Spk NL4 or Phoenix 4 pts
- Rigging: 1 x M10 (for bracket)
2 x M6 (for wall mounting ball)
1 x M6 (for safety chain)
- 12 mm Baltic Birch Wood
- Finished polyurethane painting
- Dim. H452 x P288 x L154 mm / Wht 5,15 kg



- BZ6/PB** Phoenix Black
- BZ6/SB** Speakon Black
- BZ6/PW** Phoenix White
- BZ6/SW** Speakon White

- BZ6/*C** Colour (RAL)

*For Phoenix versions the connectors are included.

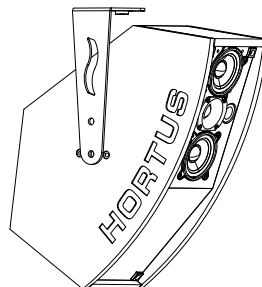


Ideally positioned parallel to a wall or used as a monitoring speaker.



OPTION

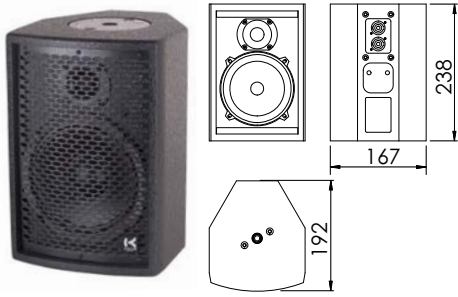
- Universal Wall Mount for BZ5/6 - CT6.1
- S6.1 - CT-15/30
- HO-RI-SR10B** Black
- HO-RI-SR10W** White



OPTION : KIT WALL BRACKET + DIAL

- 1 Wall Bracket
- 1 M10 Dial
- 1 Plastic Washer
- 1 Metal Washer
- HO-RI-LY-BZ5** Black
- HO-RI-LY-BZ6** Black





CT15

2-Way Passive Speaker

- Version 8 Ω: 120 W
- Version 16 Ω: 100W
- Bandwidth (-6dB): 85 Hz to 21kHz
- Sensitivity: 90 dB / 1W @1m
- SPL MAX Level: 109 dB
- Directivity (-6dB): 70° H
- **LMF:** 1 x 5" bass-reflex speaker
- **HF:** 1 x 0,25" Neodym Tweeter
- 12 mm Baltic Birch Wood
- Finished polyurethane painting
- Dim. H238 x P192 x L167 mm / 3,5 kg
- Phoenix Version:** 4 pts Phoenix + 2 x M10
- Speakon Version:** 2 Neutrik NL4MP, flange 35 mm K&M + 1 x M10

CT15-PB08 Phoenix 8 Ω Black
CT15-SB08 Speakon 8 Ω Black

CT15-PB16 Phoenix 16 Ω Black
CT15-SB16 Speakon 16 Ω Black

CT15-*W** White

*For Phoenix versions all the connectors are included.



OPTION: Universal Wall Mount for CT-15/30
HO-RI-SR10B Black
HO-RI-SR10W White



3-Way Passive System

CXT10

Coaxial 2-way Passive Cabinet

- RMS Power: 175 W / 8 Ω
- Bandwidth (-6dB): 80 Hz to 20 KHz
- Sensitivity: 95 dB / 1W @1m
- SPL MAX Level: 116 dB
- Directivity (-6dB): 70° Conical
- **LF:** 1 x 10" bass-reflex speaker
- **HF:** 1 coaxial speaker 1"
- Rigging: flange 35 mm K&M + 2 interchangeable sockets M10/20
- Connections: 2 Speakon NL4MP
- 15 mm Baltic Birch Wood
- Finished polyurethane painting
- Dim. H290 x P350 x L390 mm / 17 kg

CXT15B

Bass Cabinet with built-in passive crossover

- RMS Power: 275 W / 8 Ω
- Bandwidth: (-6dB) : 50 Hz to 150 Hz
- Sensitivity: 101 dB / 1W @1m
- SPL MAX Level: 126 dB
- Directivity (-6dB): Omnidirectional
- **LF :** 1 x 15" bass-reflex speaker
- Connections: input on 2 Speakon NL4 + 1 output on NL4MP for 1 x CXT10
- Rigging: 1 flange 35 mm K&M
- 15/18 mm Baltic Birch Wood
- Finished polyurethane painting
- Dim. H450 x P600 x L600 mm / 35 kg

CT30MKII-*W** White

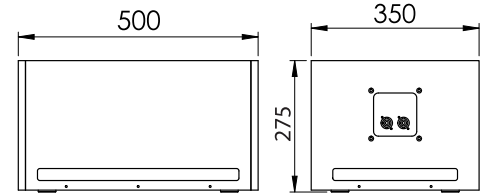
CT30MKII-PB08 Phoenix 8 Ω Black
CT30MKII-SB08 Speakon 8 Ω Black

CT30MKII-PB16 Phoenix 16 Ω Black
CT30MKII-SB16 Speakon 16 Ω Black

CT30MKII

2-Way Passive Speaker

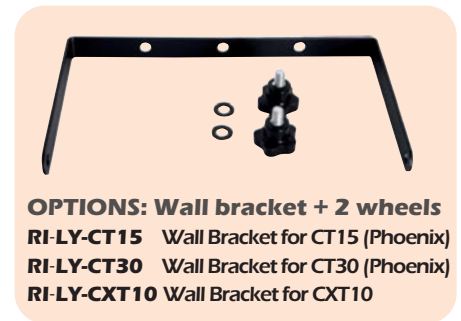
- Version 8 Ω: 150 W
- Version 16 Ω: 120W
- Bandwidth (-6dB): 65 Hz to 21 KHz
- Sensitivity: 91 dB / 1W @1m
- SPL MAX Level: 111 dB
- Directivity (-6dB): 120° H
- **LMF:** 1 x 6" bass-reflex speaker
- **HF:** 1 x 0,25" Neodym Tweeter
- 12 mm Baltic Birch Wood
- Finished polyurethane painting
- Dim. : H297 x P235 x L206 mm / 4,5 kg
- Phoenix Version:** 4 pts Phoenix + 2 x M10
- Speakon Version:** 2 Neutrik NL4MP, flange 35 mm K&M + 1 x M10



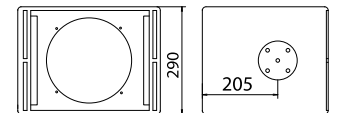
CT50S

12" Bass Cabinet

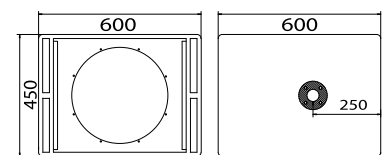
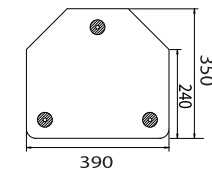
- RMS Power: 350 W / 8 Ω
- Bandwidth (-6dB): 35 Hz to 120 Hz
- Sensitivity: 99 dB / 1W @1m
- SPL MAX Level: 120 dB
- Directivity: omnidirectional
- **LF:** 1 x 12" bass-reflex speaker
- Connections: 2 Speakon NL4
- 15 mm Baltic Birch Wood
- Finished polyurethane painting
- Dim. H275 x P350 x L500 mm / 16 kg



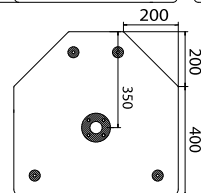
OPTIONS: Wall bracket + 2 wheels
RI-LY-CT15 Wall Bracket for CT15 (Phoenix)
RI-LY-CT30 Wall Bracket for CT30 (Phoenix)
RI-LY-CXT10 Wall Bracket for CXT10



CXT10



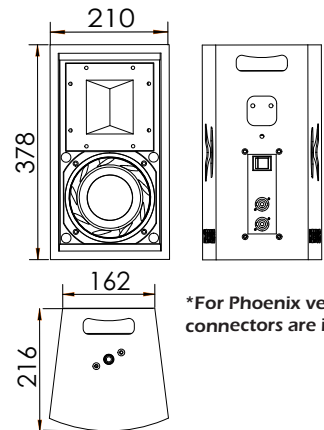
CXT15B



S6.1
2-Way Passive Speaker

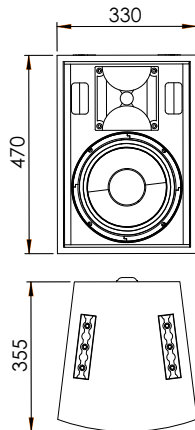
- AES Power: 200 W / 8 Ω (16 Ω upon request)
- Bandwidth (-6dB): 100 Hz - 20 kHz
- Sensitivity: 92,5 dB / 1W @1m
- SPL MAX Level: 115 dB
- Directivity (-6dB): 90° H x 90° V
- LMF: 1 x 6,5" bass-reflex speaker
- HF: Compression 1"
- 12 mm Baltic Birch Wood
- Finished polyurethane painting
- Dim. H378 x P216 x L210 mm / Wht: 7 kg

- Phoenix Version:** 4 pins Phoenix & 2 x M10
Speakon Version: 2 Neutrik Speakon NL4MP
 - Socket ø 35 mm K&M + 1 x M10



- Passive Version 8 Ω**
S.1-PB08 Phoenix, Black
S6.1-SB08 Speakon, Black
White painting on request
RI-LYS6.1 Wall Bracket
 (Phoenix version only)
HO-RI-SR10 Universal wall mount

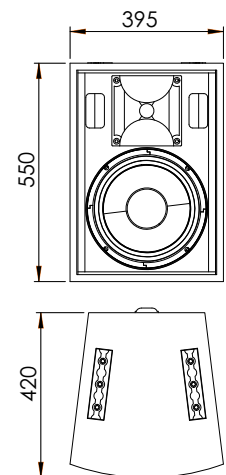
*For Phoenix versions all the connectors are included.



S10.1 MKII
2-Way Passive Speaker

- AES Power: 250 W / 8 Ω
- Bandwidth (-6dB): 85 Hz - 20 kHz
- Sensitivity: 98 dB / 1W @1m
- SPL MAX Level: 122 dB
- Directivity (-6dB): 90° H x 90° V
- LF: 1 x 10" Bass-reflex speaker
- HF: Compression 1"

- Connections: 2 Speakon NL4MP
- Rigging: F socket. ø 35mm
- + 2 x Rails type aerodeck + 1 single stud on the rear panel
- 15 mm Baltic Birch Wood
- Finished polyurethane painting
- Dim. H470 x P355 x L330, 17 kg



S12.1 MKII
2-Way Passive Speaker

- AES Power: 350 W / 8 Ω
- Bandwidth (-6dB): 85 Hz - 19 kHz
- Sensitivity: 99 dB / 1W @1m
- SPL MAX Level: 126 dB
- Directivity (-6dB): 90° H x 90° V
- LF: 1 x 12" Bass-reflex speaker
- HF: Compression 1"

- Connections: 2 Speakon NL4MP
- Rigging: Fem. socket. ø 35mm, 2 x Rails type aerodeck (top) 1 x single stud (rear)
- 15 mm Baltic Birch Wood
- Finished polyurethane painting
- Dim. H550 x P420 x L395, 24 kg



Option HO-RI-SR10
(black or white)
Universal wall mount
for S6.1 & CT-6.1



HO-RI-PAS **HO-RI-PAD**

Option:
Stud Ring Fitting for S10.1MKII / S12.1MKII / MP15
HO-RI-PAS Single
HO-RI-PAD Double

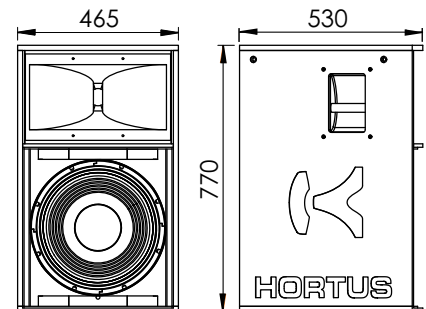


ø 35mm

EU-03433
Adjustable wall mount (option)

MP15 & MP15C (CLUBBING VERSION)
2-Way Passive Speaker (without amplifier)

- Needs 2 amplification channels
- **MP15:** AES LF Power: 500 W / HF: 110 W / 8 Ω
- **MP15C:** AES LF Power: 450 W / HF: 70 W / 8 Ω
- Bandwidth LF (-6dB): 70 Hz - 1,6 kHz
- Bandwidth HF (-6dB): 800 Hz - 20 kHz
- Sensitivity LF: 99 dB / 1W @1m
- Sensitivity HF: 108 dB / 1W @1m
- SPL MAX LF Level: 128 dB / HF: 130 dB
- Directivity (-6dB): 60° H x 40° V
- LF: 1 x 15" bass-reflex speaker
- HF: Compression 2"
- Connections: 2 Speakon NL4MP
- Rigging: 2 x Rails type aerodeck (rear) 4 x fixing points M10 (top)
- 15 mm Baltic Birch Wood
- Finished polyurethane black painting
- Dim. H770 x P530 x L465 mm / Wht: 41 kg



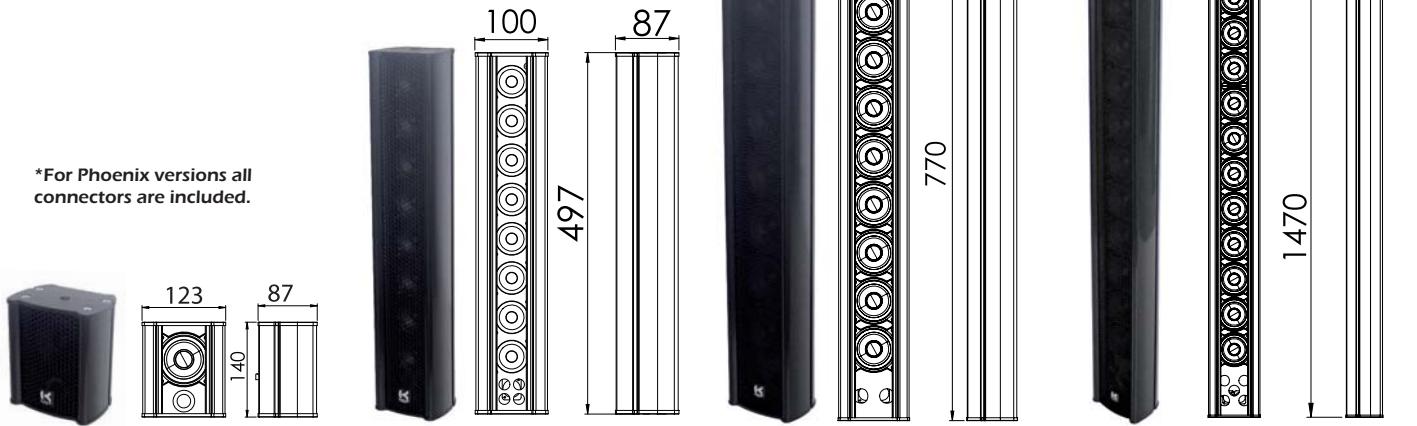
MP15 (Black foam on front panel)
MP15: Passive Bi-amp
MP15/P: Passive (Integrated Crossover)
SK-MP15: Skate 4 wheels (MP15)

MP15C (Orange, black or grey horn)
MP15C: Passive Bi-amp
MP15C/P: Passive (Integrated Crossover)

MICROMAX SERIES

Common technical specifications for the columns:

- Bandwidth (-6dB): 180 Hz to 18 kHz
- Made of extruded aluminium + aluminium sheets
- Black or white powder coated
- 1 fixing point for safety cables
- 4 fixing points on the rear for a wall mount (optional)
- 2 fixing points M10 (top & bottom)



*For Phoenix versions all connectors are included.

CLA18

- 1 x 3" Loudspeaker Column**
- 40 W / 8 Ω (preset DSP)
 - Directivity (-6dB): 60° V
 - Connections: 1 Phoenix
 - Dim. H140 x P87,3 x L123,4mm
 - Wht: 0.8 kg

CLA85

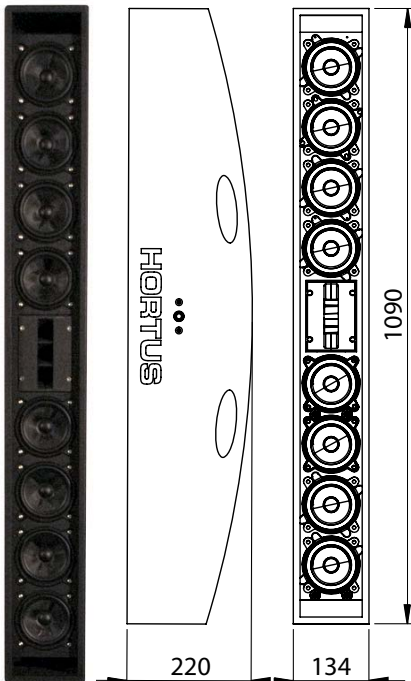
- 8 x 2" Loudspeakers Column**
- 250 W / 4 Ω (preset DSP)
 - Directivity (-6dB): 35° V
 - Connections: 1 Phoenix + 1 Spk
 - Dim. H497 x P87 x L100 mm
 - Wht: 2.5 kg

CLA88

- 8 x 3" Loudspeakers Column**
- 350 W / 8 Ω (preset DSP)
 - (4 or 16 Ω upon request)
 - Directivity (-6dB): 30° V
 - Connections: 1 Phoenix + 2 Spk
 - Dim. H770 x P87 x L123 mm
 - Wht: 4.2 kg

CLA168

- 16 x 3" Loudspeakers Column**
- 700 W / 8 Ω (preset DSP)
 - (4 or 16 Ω upon request)
 - Directivity (-6dB): 30° V
 - Connections: 1 Phoenix + 2 Spk
 - Dim. H1470 x P87 x L123 mm
 - Wht: 8.4 kg



ASSOCIATED BASS CABINETS:

- CLA18 ⇔ MIB08
- CLA85 ⇔ CBA10
- CLA88 ⇔ CBA12
- CLA168 ⇔ CBA12
- CLA810 ⇔ CBA15



CLA810

- 8 x 4" Loudspeakers Column + compression 1"**
- 500 W / 8 Ω (preset DSP)
 - Freq. Response (-3dB): 140 Hz-18 kHz
 - Baltic Birch Wood
 - Directivity: 120° H x 25° V
 - Finished polyurethane painting
 - H1090 x P220 x L134 mm / 10 Kg
 - Socket for tube diam. 35 mm



FC-2CLA810 (29 Kg)



Columns options



HO-RI-SR20(B/W)
Black or white fixing ball for CLA-810



KM-19780
KIT: Black tilt adapter + Black adaptation plate

KM-24356



EU-01424
Black foot plate diam. 35 mm for all CLA



EU-01480
Adjustable wall mounting
- Wall plate: L105 x H120 mm
- Length: 170 mm
- Max Load: 10 Kg / Wht: 0.8 Kg
- Rotation: 0 - 360° / Tilt: 0 - 90°



EU-00555
Adjustable black wall mount for CLA 85 / 88 / 168

Socket for M20 tube



**CBA10
BASS CABINET**

- LF: 1 x 10" double wave loudspeaker
- Bandwidth (-6dB): 55 Hz to 220 Hz
- Directivity: Half Directional 180°
- Rigging: 1 socket for tube M20
- 18 mm Baltic Birch Wood
- Dim. H377 x P400 x L430 mm / Wht: 20 Kg

Flight-case MICROMAX8:
For 2 x CBA-12 and 2 x CLA-88
- H640 x P1050 x L880 mm
- Weight: 44 Kg / 0,59 m³
FC-2CBA10/2CLA85
FC-2CBA12/2CLA88

**CBA12
BASS CABINET**

- LF: 1 x 12" double wave loudspeaker
- Bandwidth (-6dB): 50 Hz to 220 Hz
- Directivity: Half Directional 180°
- Rigging: 1 socket for tube M20
- 18 mm Baltic Birch Wood
- Dim. H447 x P460 x L450mm / Wht: 27 Kg

CBA10P - Passive
350 W AES / 8 Ω / Speakon 4 pts.

CBA10M - Mono Amplified
2 ways 750 W + 250 W + DSP

CBA10S - Stereo Amplified
3 ways 750 W + 2 x 250 W + DSP

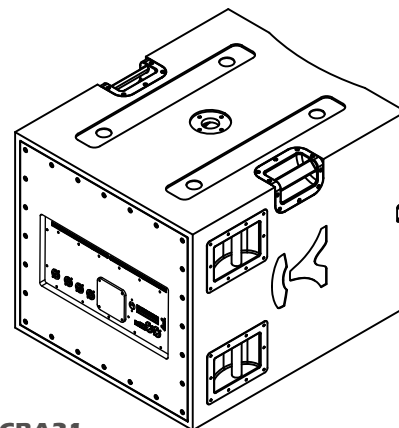
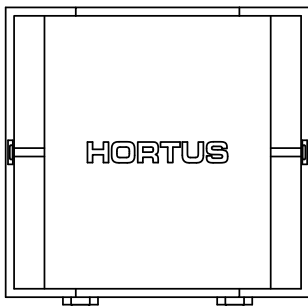
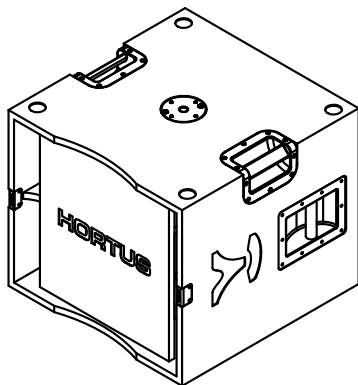


Amplified Versions(CBA10 & 12):
- Power: 2 x Powercon In/Out
- Pascal Audio Amplifier
- «All DSP» with Ethernet

CBA12P - Passive
700 W AES / 8 Ω / Speakon 4 pts.

CBA12M - Mono Amplified
2 ways 1000 W + 250 W + DSP

CBA12S - Stereo Amplified
3 ways 1000 W + 2 x 250 W + DSP



- CBA15**
- LF: 1 x 15" double wave loudspeaker
 - Bandwidth (-6dB): 40 Hz to 220 Hz
 - Directivity: Half Directional 180°
 - Rigging: 1 socket for tube M20
 - 18 mm Baltic Birch Wood
 - Dim. H507 x P580 x L570 mm

- CBA18**
- LF: 1 x 18" double wave loudspeaker
 - Bandwidth (-6dB): 30 Hz to 220 Hz
 - Directivity: Half Directional 180°
 - Rigging: 1 socket for tube M20
 - 18 mm Baltic Birch Wood
 - Dim. H620 x P780 x L648 mm

- CBA21**
- LF: 1 x 21" double wave loudspeaker
 - Bandwidth (-6dB): 25 Hz to 220 Hz
 - Directivity: Half Directional 180°
 - Rigging: 1 socket for tube M20
 - 21 mm Baltic Birch Wood
 - Dim. H700 x P860 x L730 mm

CBA15P: Passive Bass Cabinet
- 1500 W AES / 8 Ω / Speakon 4 pts

CBA18P: Passive Bass Cabinet
- 1600 W AES / 8 Ω / Speakon 4 pts

CBA21P: Passive Bass Cabinet
- 1800 W AES / 8 Ω / Speakon 4 pts

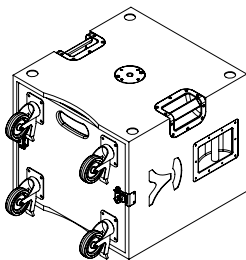
CBA15S: Stereo Version, amp. 3 ways (DSP)
- 1500 W AES + 2 x 400 W / 8 Ω

CBA18S: Stereo Version, amp. 3 ways (DSP)
- 1500 W AES + 2 x 400 W / 8 Ω

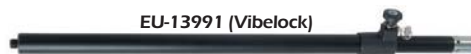
CBA21S: Stereo Version, amp. 3 ways (DSP)
- 1500 W AES + 2 x 400 W / 8 Ω

**Bass: 1500W @ 8 Ohms
2500W @ 4 Ohms
(with second passive bass cabinet)**

**Stereo Out L & R:
2 x 800W @ 4 Ohms
2 x 400 W @ 8 Ohms**



HO-SK-CBA15: Skate + 4 Guitel braked wheels
HO-SK-CBA18: Skate + 4 Guitel braked wheels
HO-SK-CBA21: Skate + 4 Guitel braked wheels



EU-01282 Tube ø35mm & M20
EU-13991 Tube ø35mm & M20

- Amplified Versions:**
- Power: 2 x Powercon In/out
 - 3 ways Pascal Audio Amplifier
 - «All DSP» with Ethernet & USB connections
 - LCD Display & Menu button for local settings
 - Amplified L & R outputs on speakon 4 pins
 - Amplified output (Speakon) for slave passive bass cabinet (Spk 4 pins).





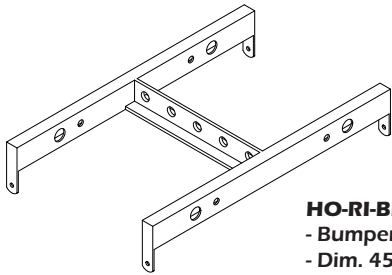
LVT-5 - MINI LINE ARRAY

- AES Power: 320 W (Programme: 600 W)
- MF: 2 x 5" loudspeakers
- HF: compression 1"
- Passive Filter
- Impedance: 16 Ω
- Bandwidth (-6dB): 180 Hz to 20 KHz
- SPL (measured): 122 dB
- SPL (peak): 125 dB
- Directivity: 100° H x 15° V
- Baltic Birch Wood
- Black polyurethane painting (2 layers)
- Dimensions: H160 x P310 x L450 mm

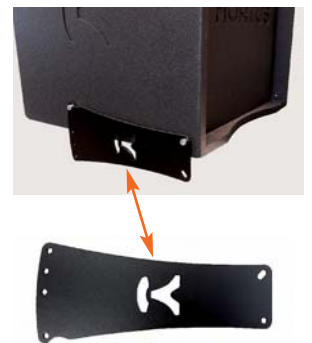
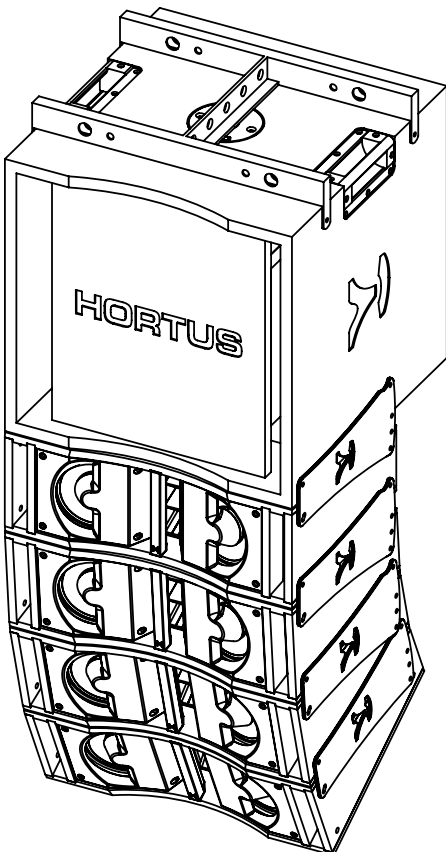
SYSTEM SPECIFICATIONS

PACK: 1 CBA-12L + 4 x LVT-5

- LF: 1000 W RMS
- MF + HF: 500 W RMS
- Integrated amplifier and DSP
- Bandwidth (-6dB): 45 Hz to 20 KHz
- SPL (measured): 127 dB
- SPL (peak): 130 dB



HO-RI-BP-LVT5
- Bumper
- Dim. 457 x 281 x 75 mm



HO-RI-PC-LVT5
- Coupling Plate

CBA12LP: Passive Bass Cabinet
700 W AES / 8 Ω / Speakon 4 pts

CBA12LM: Mono Version
DSP 2 ways amplified: 1000W + 250W

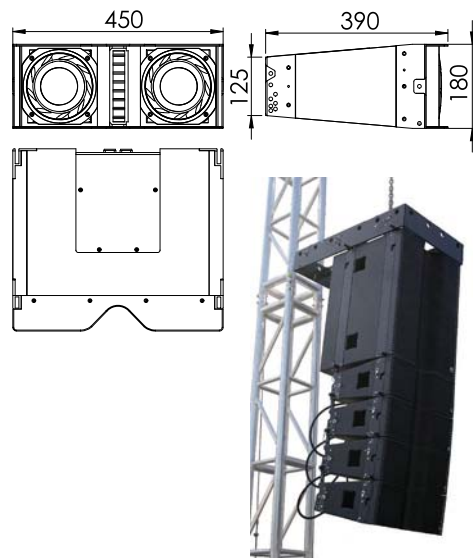
CBA12LM2: Mono Version
DSP 2 ways amplified: 1000W + 2 x 250W

CBA12LS: Stereo Version
DSP 3 ways amplified: 1000W + 2 x 250W

LVT-6

2-Way Passive Line Array

- AES Power: LF 400 W / HF 80 W / 16 Ω
- Bandwidth (-6dB): 180 Hz to 20 KHz
- Sensitivity: LF : 100 dB / 1W @1m
HF: 108 dB / 1W @1m
- SPL MAX Level: 123 dB
- Directivity (-6dB): 100° H
- Intercabinet angle adjustments from 0° to 10° in clip steps
- Angles: 0° / 0.75° / 1.75° / 3° / 4.5° / 6.5° / 10°
- MF: 2 x 6,5" bass-reflex speakers
- HF: 1 x 1,4" compression
- Connections: 2 Speakon NL4
- Rigging Integral 4 points flying system
- 15/30 mm Baltic Birch Wood
- Finished polyurethane painting
- Dim. H180 x P390 x L450 mm / Wht 16 kg



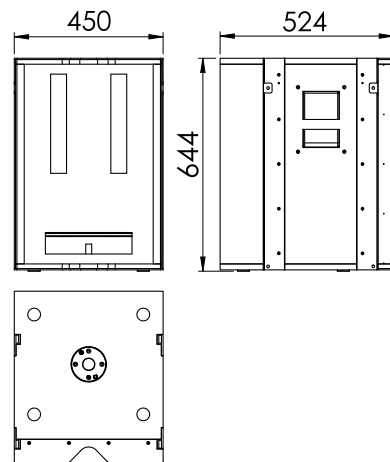
LVT-6-P: Passive 1 way with integrated crossover

FC-4LVT6: Flight-case for 4 LVT6 (optional)

LVT-15

Bass Cabinet for LVT-6

- AES Power: 1000 W / 8 Ω
- Bandwidth (-6dB): 40 Hz to 300 Hz
- Sensitivity: 97 dB / 1W @1m
- SPL MAX Level: 127 dB
- Directivity: Half Directional 180°
- LF: 1 x 15" double wave loudspeaker
- Rigging Integral 4 points flying system
- Connections: 2 Speakon NL4
- 15/30 mm Baltic Birch Wood
- Finished polyurethane painting
- Dim. H644 x P524 x L450 mm / Wht 47 kg



FC-1LVT15: Flight-case for 1 LVT15 (optional)

FC-2LVT15: Flight-case for 2 LVT15 (optional)

Options:



RI-BP-LVT: Bumper for LVT6/15

- Black Aluminium supplied with 8 pins
- Dim. H120 x P770 x L472 mm / Wht: 13 Kg



HO-SK-LVT15

- Skate - 4 Guitel braked wheels
- Dim. H160 x P525 x L450 mm / 10 Kg



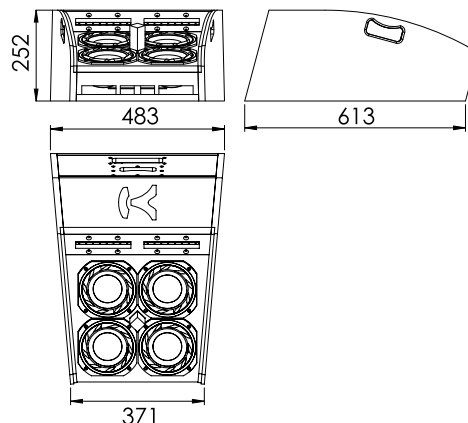
Flight-case: Phenol 9 mm, Guitel braked wheels

- Dim. H580 x P900 x L640 mm / 44 Kg / LVT-6
- Dim. H580 x P880 x L570 mm / 30 Kg / LVT-15

LVT-465

Stage Monitor - 2-Way Line Array

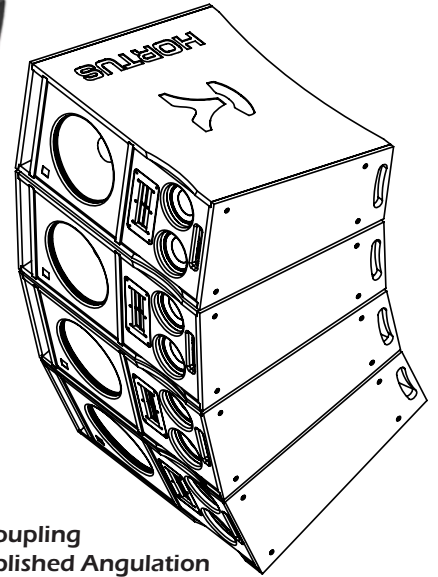
- AES Power: 950 W / 8 Ω
- LF: 4 x Neodym 6,5" loudspeakers
- HF: 2 x 1,4" compressions
- Connections: 2 Speakon NL4
- 18 mm Baltic Birch Wood
- Finished polyurethane painting
- Dim. H252 x P613 x L483 mm / 24 kg



FC-2LVT465: Flight-case (optional)



3-Way Full Range - active or passive hybrid system adapted to horizontal or vertical installation



CHRYSALIS

- Bandwidth (-6dB): 50 Hz to 20 KHz
- SPL (Measured): 123 dB / SPL (Peak): 126 dB
- Directivity: 100° H x 60° V
- Passive Filter (MF/HF)
- 35 mm diameter stand socket
- Baltic Birch Wood
- 2 Layers of black polyurethane painting
- Dim. H659 x P577 x L303 mm

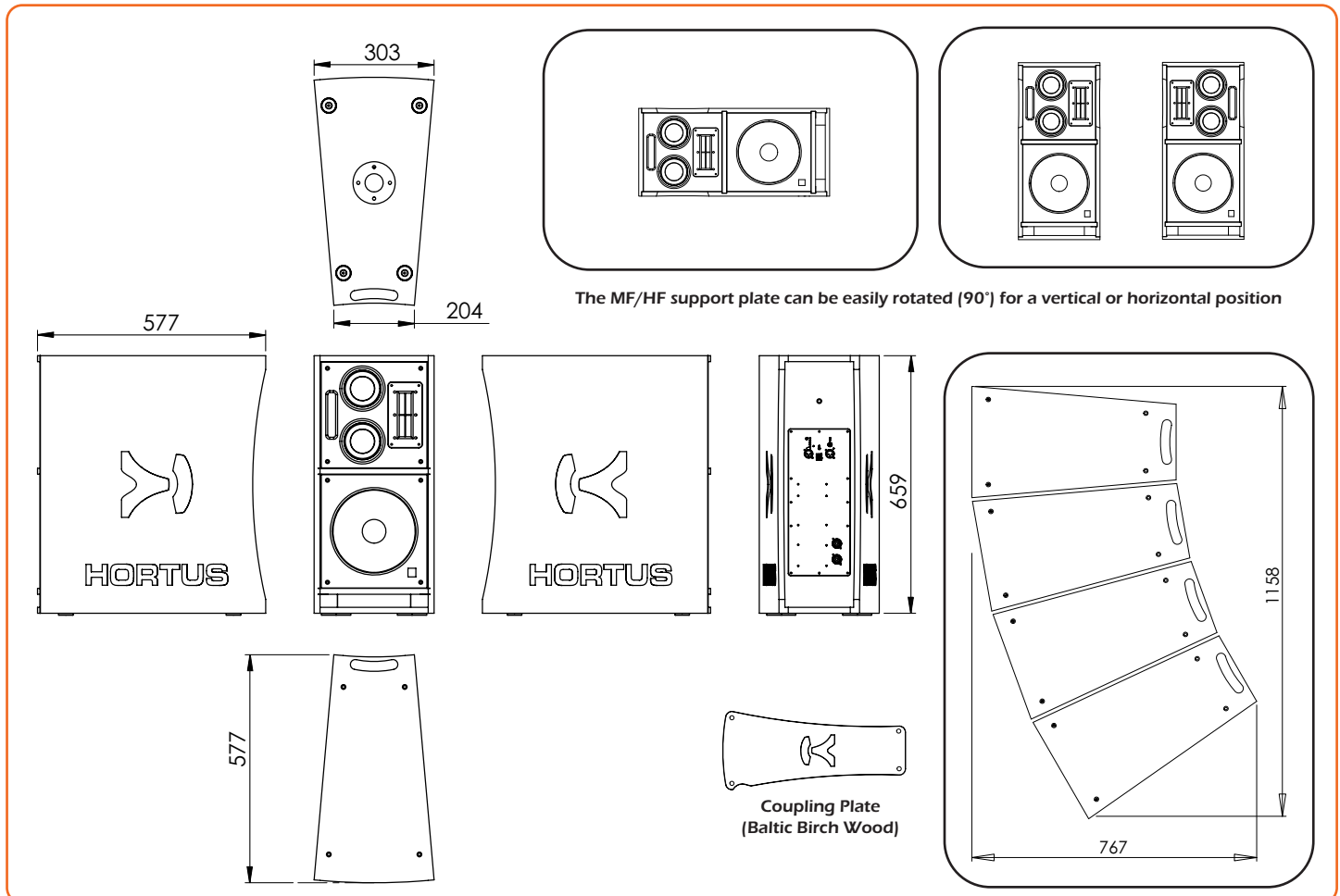
HO-CSL10P: 2-Way Passive

HO-CSL10M: Amplified + DSP

- Power Supply: 2 x Powercon In/Out
- Pascal Audio Amplification + DSP Ethernet connection
- 2-Way 500 +250 W amplified
- Inputs on male and female XLR

- Direct Coupling
- Pre established Angulation

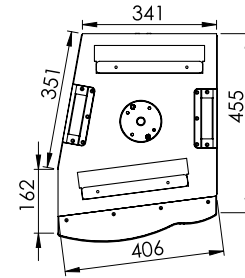
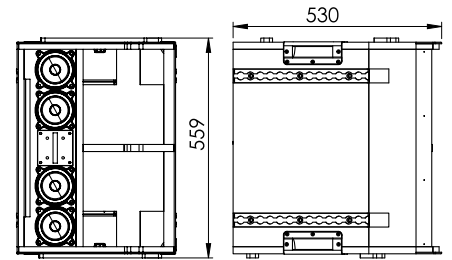
- LF: 1 x 10"
- MF: 2 x 5"
- HF: Ribbon tweeter



EVO-12

Full Range System - Line Source

- Power: LF : 1000 W + HF: 250 W
- Bandwidth (-6dB): 50 Hz to 18 KHz
- Sensibility: 90 dB / 1W @ 1m
- SPL MAX Level: 120 dB @ 2m
- Directivity (-6dB): 90° H x 40° V
- Horizontal coupling coverage for 2 EVO12: 120°
- **LF:** 1 x 12" double wave loudspeaker
- **MF:** 4 x 4" bass-reflex speakers
- **HF:** 1 x Compression 1" + Waveguide
- Rigging: 2 x interchangeable M10/20 sockets,
- 4 rails aerodeck type - 4 transport handles
- 18/30 mm Baltic Birch Wood
- Finished polyurethane painting
- Dim. H559 x P530 x L406 mm
- Wht: 27 kg (passive) / 30 kg (active)



1250 W Passive Version:

- 2-way 1000 W + 250 W / 8 Ω
- Connections: 2 Speakon NL4
- To be used with Hortus EVO12P presets

1250 W Active Version:

- Pascal Audio 1000W + 250W Amplification
- DSP All DSP
- RJ45 Port for programming
- In/Link on XLR 3 pins
- Power Supply Powercon in/out



FC-2EVO12: Flight-case for 2 EVO12 (optional)



EU-01424
Black socket 35 mm & M10

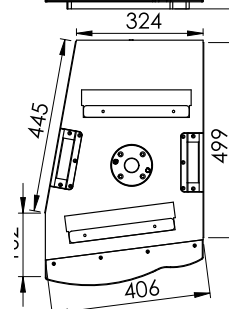
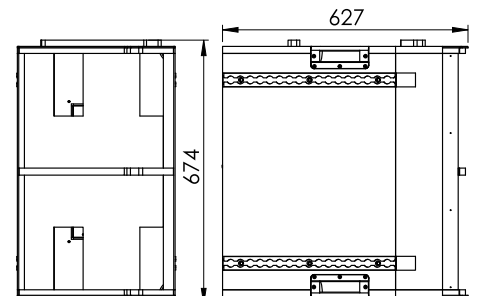


Stud Ring fitting:
HO-RI-PAS Simple
HO-RI-PAD Double

EVO-15B

Bass Cabinet for EVO-12

- AES Power: 1000 W / 8 Ω
- Bandwidth (-6dB): 37 Hz to 200 Hz
- Sensitivity: 90 dB / 1W @ 1m
- SPL Level: 127 dB @ 1m
- SPL MAX Level: 130 dB @ 1m
- Directivity: Half directional 180°
- **LF:** 1 x 15" double wave loudspeaker
- Rigging: 1 Socket diam. 35 mm,
- 4 rails aerodeck type - 4 transport handles
- 18/30 mm Baltic Birch Wood
- Finished polyurethane painting
- Dim. H674 x P627 x L406 mm / 43 Kg



Passive Version:

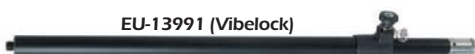
- AES Power: 1000 W / 8 Ω
- Connections: 2 Speakon NL4MP
- To be used with Hortus EVO-15P presets

Active Version:

- Pascal Audio 1000 W Amplification
- DSP All DSP
- Port RJ45 for programming
- In/Link on XLR 3 pins
- Powercon in/out Power supply



FC-2EVO15B: Flight-case for 2 EVO15B (optional)



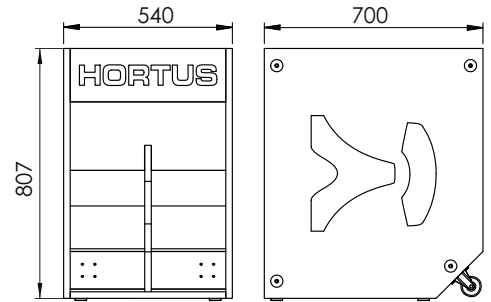
EU-13991 (Vibelock)

EU-01282 Tube ø35 mm & M20 (optional)
EU-13991 Tube ø35 mm & M20 (optional)

BW118

High Efficiency Subwoofer

- Power: 1000 W AES / 8 Ω
- Bandwidth (-6dB): 65 Hz to 250 Hz
- Sensitivity: 102 dB / 1W @1m
- SPL MAX Level: 132 dB
- Directivity: Half Directional 180°
- LF: 1 x 18" exponential horn
- Connections: 2 Speakon NL4MP
- 2 transport handles
- 21 mm Baltic Birch Wood
- Finished polyurethane painting
- Dimensions: H807 x P700 x L540 mm
- Wht: 54 Kg

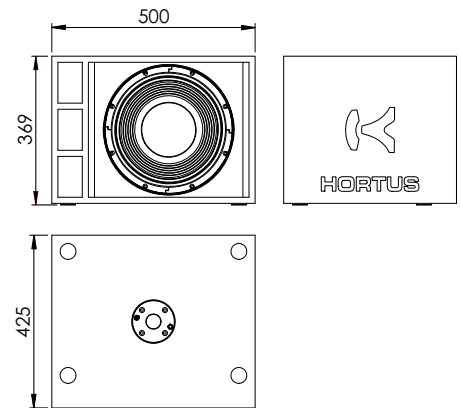


Optional transport wheels

MB1

Passive Bass Cabinet

- AES Power: 700 W / 8 Ω
- Bandwidth (-6dB): 45 Hz to 300 Hz
- Sensitivity: 97 dB / 1W @1m
- SPL MAX Level: 128 dB
- Directivity: Omnidirectional
- LF: 1 x 12" bass-reflex speaker
- Connections: 2 speakon NL4MP
- Rigging: 1 socket for diam. 35 mm tube
- 15/18 mm Baltic Birch Wood
- Finished polyurethane painting
- Dim. H369 x P425 x L500 mm
- Wht: 22 kg

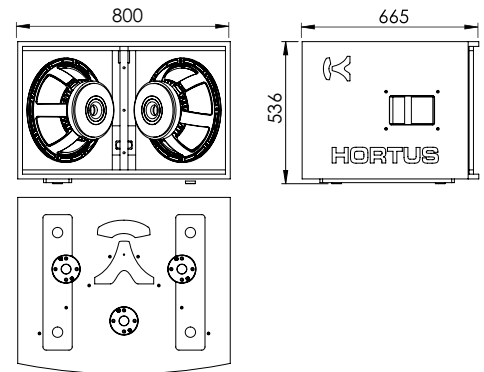


EU-03439 Telescopic black tube - max 30 Kg / 83,5 to 143 cm / ø35 mm
EU-13970 Telescopic black tube - max 30 Kg / 90,5 to 160,5 cm / ø35 mm

C2 MKII

Passive Bass Cabinet

- AES Power: 1 400 W / 4 Ω
- Bandwidth (-6dB): 45 Hz to 250 Hz
- Sensitivity: 103 dB / 1W @1m
- SPL MAX Level: 134 dB
- Directivity: Half Directional 180°
- LF: 2 x 15" bass-reflex speakers
- Connections: 2 speakon NL4MP
- Rigging: 3 sockets for diam. 35 mm
- 15/18 mm Baltic Birch Wood
- Finished polyurethane painting
- Dim. H536 x P665 x L800 mm
- Wht: 65 kg

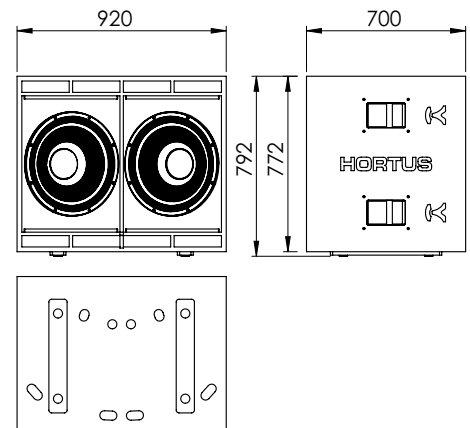


Option FLY-7004: 4 Guitel braked wheels

MP218 & MP218C (CLUBBING VERSION)

Passive Bass Cabinet

- AES Power: 2000 W / 4 Ω
- Bandwidth (-6dB): 30 Hz to 150 Hz
- Sensitivity: 102 dB / 1W @1m
- SPL MAX Level: 135 dB
- Directivity: Omnidirectional
- LF: 2 x 18" bass-reflex speakers
- Connections: 2 speakon NL4MP
- Rigging: 4 x aerodeck type rails
- 21 mm Baltic Birch Wood
- Finished polyurethane painting
- Dim. H792 x P700 x L920 mm
- Wht: 88 kg



Option SK-MP218: Skate 4 wheels

- Stud Ring Fitting:
HO-RI-PAS Simple
HO-RI-PAD Double

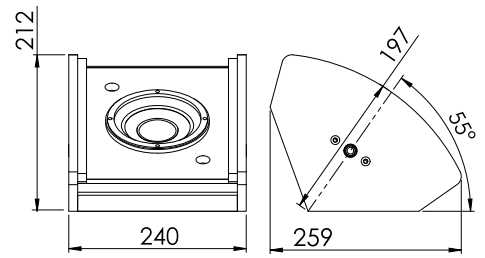


SAM-5
5" Coaxial speaker PA system & floor monitor

- AES Power: 80 W / 8 Ω
- Bandwidth (-6dB): 65 Hz to 20 kHz
- Sensitivity: 90 dB / 1W @1m
- SPL MAX Level: 110 dB
- Directivity (-6dB): 90° Conical
- **LMF:** 1 x 5" bass-reflex speaker
- **HF:** 1" coaxial compression
- Rigging: 2 inserts M10
- Connections: 2 speakon NL4MP
- 12 mm Baltic Birch Wood
- Finished polyurethane painting
- Dimensions: H212 x P259 x L240 mm / 5 kg



SAM5/B Black Passive
SAM5/W White Passive
RI-LY-SAM5 Wall bracket

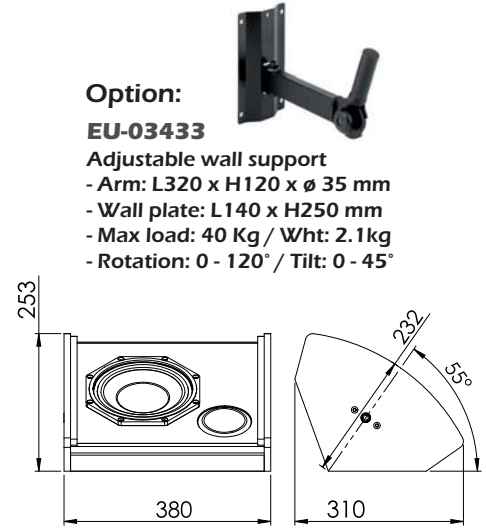


SAM-8
8" Coaxial speaker PA system & floor monitor

- AES 250 W Power / 8 Ω
- Bandwidth (-6dB): 60 Hz to 20 kHz
- Sensitivity: 96 dB / 1W @1m
- SPL MAX Level: 123 dB
- Directivity (-6dB): 100° Conical
- **LMF:** 1 x 8" bass-reflex speaker
- **HF:** 1" coaxial compression
- Rigging: Insert M10 + Fem. socket ø 35 mm
- 12 mm Baltic Birch Wood
- Finished polyurethane painting
- Dimensions: H253 x P310 x L380 mm
- Passive Version:** 2 Spk. NL4MP, Wht: 7,5 kg
- Active Version:** 2 Powercon (NAC3FCA/B) + 2 XLR (M/F), Wht: 8 kg



SAM8/B Black Passive
SAM8/BA Black Active
RI-LY-SAM8 Wall bracket



Option:

EU-03433

- Adjustable wall support
- Arm: L320 x H120 x ø 35 mm
- Wall plate: L140 x H250 mm
- Max load: 40 Kg / Wht: 2.1kg
- Rotation: 0 - 120° / Tilt: 0 - 45°

SAM-12
12" Coaxial speaker PA system & floor monitor

- AES Power: 350 W / 8 Ω
- Bandwidth (-6dB): 50 Hz to 20 kHz
- Sensitivity: 99 dB / 1W @1m
- SPL MAX Level: 129 dB
- Directivity (-6dB): 80° Conical
- **LMF:** 1 x 12" bass-reflex speaker
- **HF:** 2" coaxial compression
- Rigging: Insert M10 + Fem. ø 35 mm socket
- 12 mm Baltic Birch Wood
- Finished polyurethane painting
- Dimensions: H351 x P425 x L550 mm
- Passive Version:** 2 Spk. NL4MP, Wht: 16,2 kg
- Active Version:** 2 Powercon (NAC3FCA/B) + 2 XLR (M/F), Wht: 16,95 kg



SAM12/B Black Passive
SAM12/BA Black Active
RI-LY-SAM12 Wall bracket
FC-2SAM12 Flight Case



Option:

EU-00498

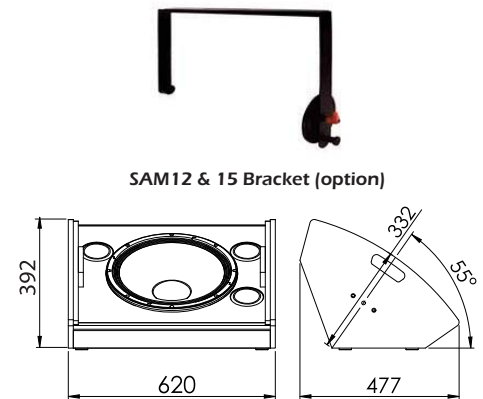
- Adjustable wall support
- Wall Plate: L260 x H120 mm
- Arm: L180 to 260 x H110 x ø 35 mm
- Max load: 40 Kg / Wht: 2.3 Kg
- Rotation: 0 - 120° / Tilt: 0 - 45°

SAM-15
15" Coaxial speaker PA system & floor monitor

- AES Power 500 W / 8 Ω
- Bandwidth (-6dB): 50 Hz to 20 kHz
- Sensitivity: 100 dB / 1W @1m
- SPL MAX Level: 131 dB
- Directivity (-6dB): 80° Conical
- **LMF:** 1 x 15" bass-reflex speaker
- **HF:** 2" coaxial compression
- Rigging: Insert M10 + Fem. ø 35 mm socket
- 15 mm Baltic Birch Wood
- Finished polyurethane painting
- Dimensions: H392 x P477 x L620 mm
- Passive Version:** 2 Spk. NL4MP, Wht: 19,8 kg
- Active Version:** 2 Powercon (NAC3FCA/B) + 2 XLR (M/F), Wht: 20,55 kg



SAM15/B Black Passive
SAM15/BA Black Active
RI-LY-SAM15 Wall bracket
FC-2SAM15 Flight Case



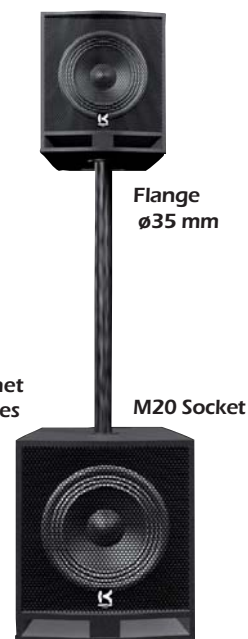
SAM12 & 15 Bracket (option)



2-WAY BASS REFLEX CABINETS - COAXIAL ACTIVES & PASSIVES

Specifications:

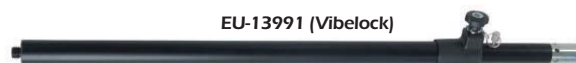
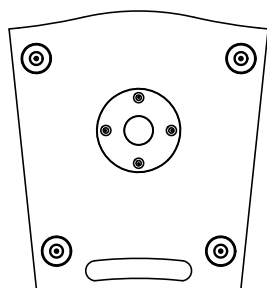
- FAITAL PRO loudspeakers (& BNC for the BR115P)
- PASCAL AUDIO Amplification for active models
- Baltic Birch Wood
- Finished polyurethane painting
- Ideal for: Karaoke, pubs, restaurants, clubs, lounges...



BR115P
Bass Cabinet
for CX Series

	CX8P	CX10P	CX12P	BR115P
Nominal diameter	200 mm (8")	250 mm (10")	300 mm (12")	380 mm (15")
AES Power	250 W	250 W	250 W	700 W
Programme Power	500 W	500 W	500 W	1400 W
Maximum SPL	122 dB	124 dB	125 dB	125 dB
Sensitivity	95 dB	97 dB	98 dB	98 dB
Dispersion angle	100°	100°	100°	Omnidirectional
Frequency Range	70 - 20 000 Hz	65 - 20 000 Hz	55 - 20 000 Hz	45 - 250 Hz
Loudspeaker type	Coaxial 8" + 1.5"	Coaxial 10" + 1.5"	Coaxial 12" + 1.5"	- 15"
Dimensions (mm) H x D x W	360 x 300 x 275	400 x 350 x 325	500 x 430 x 395	510 x 500 x 450

Dimensions (mm)
CX10P Model



EU-01282 Tube ø35 mm & M20
EU-13991 Tube ø35 mm & M20

