

# BLUSTREAM

HDMI DISTRIBUTION WITHOUT COMPROMISE



## Professional AV Solutions

2018 Product Guide





# SEAMLESS AV DISTRIBUTION

Blustream is the audio visual industry's award winning option for advanced HDMI distribution. Our products have been designed and engineered by a global team of AV specialists with over 30 years experience. Research highlighted the market need for an AV distribution brand that could deliver both industry leading performance and most importantly reliability. This has resulted in us developing a range of HDBaseT™, Video over IP and HDMI solutions that deliver seamless AV integration within any installation environment. As an official HDBaseT™ adopter and alliance member, Blustream is firmly positioned at the forefront of this advanced technology. Through integration of the latest pioneering HDBaseT™ and Video over IP chipsets our engineers have developed the world's most innovative range of AV distribution products.

## Why Blustream?

- ➔ All products support 4K UHD resolutions
- ➔ All HDBaseT™ extenders offer bi-directional PoE / PoH
- ➔ Key player in the rapidly evolving Video over IP platform
- ➔ Web GUI access and App control for all matrix / IP systems
- ➔ Integration with all major third party control systems
- ➔ Next-day Europe wide delivery
- ➔ 2 year manufacturer warranty
- ➔ Pioneering new 4K 4:4:4 and HDR solutions
- ➔ Integration of ARC functionality via HDBaseT™ HDMI and Optical
- ➔ Audio breakout integrated into the majority of products
- ➔ Advanced EDID management and IP / RS-232 integration
- ➔ Industry leading training and technical support services
- ➔ Extensive road map for new product development
- ➔ Over £1M of inventory in Europe

# UNDERSTANDING THE Technology



HDBaseT™ transmits converged uncompressed full HD digital video, audio, 100 BaseT Ethernet, Power-over-Ethernet (PoE/PoH) and various control signals through a single Cat5e/6/7 cable over distances of up to 100 metres.



HDCP2.2 is the next generation of copy protection required to allow the playback of the latest 4K source media.



Blustream extenders and matrices feature PoH. This feature allows you to power the remote HDBaseT™ receiver/s via the CAT cable, removing the need for a power supply.



HDMI carries both video and audio to our screens. You can extract the audio element of the HDMI signal to feed into your home stereo / audio system for a better quality sound experience.



Audio Return Channel (ARC) works by transmitting the audio signal the opposite way down a HDMI cable, connecting your display directly to an amplifier for better sound reproduction.



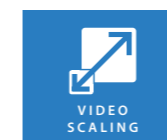
Picture in Picture allows for a secondary source to be overlaid onto a primary video feed enabling the user to watch simultaneous feeds on one screen.



Pre-amp line level volume control allows for the volume of an audio output to be altered using the Web GUI or serial commands for the associated product.



Our bi-directional control allows for control signals to be sent throughout a system to give ultimate flexibility of control.



Our video scaling products allow for systems with differing video resolution screens to be sent the required signal to show the very best output.



Video over IP - distribute resolutions up to 4K HDR over an IP infrastructure with visually lossless reproduction, minimal latency, fully flexible I/O structure, and virtually limitless cabling distances.



A 4K screen has four times the number of pixels than your current Full HD 1080p display so the clarity of the image is much more superior and detailed.



The 4K data rate varies depending on the requirement for varying frame rates, colour depths, and colour gamuts. 4K60 4:4:4 requires the full 18Gbps data transfer speed required to get the very best 4K image across your system.



HDR (or High Dynamic Range) expands the ability of a display to show a wider and richer range of colours, much brighter whites, and much darker blacks.



HD audio is featured on many sources in formats such as Dolby Digital and DTS. Blustream products are compatible with the latest HD audio resolutions.



Extended Display Identification Data. When a source is connected to a screen a digital 'handshake' happens. This handshake ensures that your screen displays your media with the best possible video and audio quality available.



A combination of multiple screens can be made into an array for the viewing of one large media image across multiple screens.



The new Blustream V2 products feature a Graphical User Interface via an in-built web-server. This feature allows users to set-up and control their matrix from a mobile device or computer connected to the same network.



Our seamless switching products allow for instantaneous switching between sources. This enhanced switching speed delivers the optimum viewing and control experience.

# CREATE YOUR 21ST CENTURY Smart Home

# SUITABLE FOR A RANGE OF Commercial Applications



Blustream products have an unrivalled ability to seamlessly distribute AV signals throughout your smart home. Utilising the latest HDBaseT™ chipsets, our engineers have developed pioneering solutions that push the boundaries of both performance and reliability.

## About HDBaseT™

HDBaseT™ is the revolutionary technology that enables video signals and more to be distributed over long distances around a property. The following lists all the integrated signals that can be distributed by HDBaseT™ over a single CAT 6 cable network.

1. Video - 4K UHD Video
2. Audio - Any standard digital audio format including Dolby Digital and DTS
3. Control - Various control signals including 2-way IR, IP and RS-232
4. Ethernet - Expand wired internet coverage throughout the home
5. Power over HDBaseT™ (PoE) - Deliver power directly to the HDBaseT™ receiver, removing the need for additional power supplies

\* Support for 4K 60Hz 4:4:4 arriving in Q1 2018

## Seamless integration of multiple video formats

Blustream have one box solutions that integrate HDMI, VGA and Component Video signals and distribute them via HDBaseT™. With the added ability of matrix video outputs, audio breakout and volume control, Blustream presentation switchers make AV integration easy within any boardroom or classroom.



## Deliver the ultimate entertainment experience



Blustream products make it simple to distribute HDMI or VGA signals to multiple displays. Utilising a single CAT6 cable infrastructure, our solutions transmit 4K resolutions to multiple displays with ease. Blustream products offer unrivalled levels of performance and reliability. Our products have all been tested and approved for compatibility with all recognised manufacturers of TV displays and AV hardware.



# A New Era OF VIDEO DISTRIBUTION 4K UHD VIDEO OVER IP

## IP100UHD-TX/RX

Multicast UHD from Blustream delivers virtually latency free distribution of HDMI video over a 1GB Network switch. Using lossless compression technology, Multicast delivers HDMI, Bi-directional IR and RS-232 up to lengths of 100m over a single CAT cable. The beauty of Multicast is its flexibility and ease of installation. The industry has been requesting a video over IP solution that can be installed in minutes and without the need for networking qualifications. Multicast UHD has been developed in line with these objectives and is now ready to deliver a new era in advanced video distribution.

### Key Features

- ➔ Built-in video scaler in the Multicast receiver allows each display to playback its optimal quality video.
- ➔ Full IR control and IR pass-through for control of the Multicast system and source equipment.
- ➔ No need for knowledge of networks or creating VLAN's.
- ➔ Product supports 4K UHD, including HDR up to lengths of 100m.
- ➔ Virtually latency free (1 frame) delivering flawless quality.

### Matrix distribution

with unlimited configuration options  
(Requires 1GB network switch)

### Video wall presentation

(Requires 1GB network switch)

## MULTICAST UHD OPERATIONAL MODES

### One-to-one

HDMI extender  
(No network switch required)

### One-to-many

HDMI distribution  
(No network switch required)



IP100UHD-TX/RX

## CM100 Control Module

The CM100 Control Module allows simple third party control of the Multicast system using TCP/IP, RS-232 or IR. The system wizard PC configuration program and pre-built Blustream product drivers simplify product installation and negate the need for an understanding of complex network infrastructures.

### Key Features

- ➔ Control via IP, RS232 & IR
- ➔ Simple Bridging of multiple networks
- ➔ Drivers available for all major control brands



## IP Bridge

IP Multicast Control module for TCP/IP control of Blustream Multicast systems.



Our Multicast UHD distribution platform allows distribution of HDMI video over a 1GB Network switch. The IP Bridge Control Module allows simple third party control of the Multicast system using TCP/IP.



## draganddroptv

Drag and Drop TV is the visually simple and practical way to control your Multicast UHD over IP system. With virtually no set up or configuration required its the easy way to deliver intuitive source control without the added cost of a dedicated control system. Features include:

- ➔ 'Free' DemoPad app
- ➔ Preview display
- ➔ Customised user interface available



New

# CHDBT<sup>®</sup> SUPPORTING 4K 18Gbps 60Hz 4:4:4



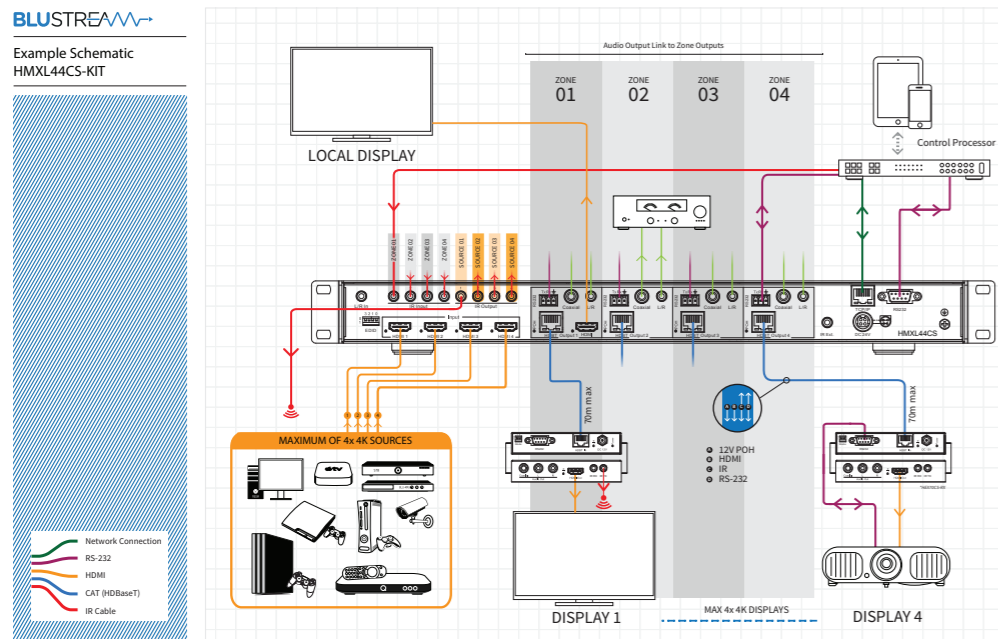
## HMXL44CS-KIT - 4x4 HDBaseT™ Matrix Kit

70m HDBaseT™ Matrix Kit Supporting 4K 60Hz 4:4:4 (40m) - Includes 4x HDBaseT™ receivers

### Key Features

- ▶ Advanced HDBaseT™ technology offering CSC conversion with zero latency
- ▶ Features 4x HDMI inputs which can be independently routed to 4x HDBaseT™ outputs
- ▶ Output 1 features simultaneous HDMI and HDBaseT™ output
- ▶ Supports bi-directional IR on all HDBaseT™ outputs
- ▶ Supports PoH (Power over HDBaseT™) to power supplied HDBaseT™ receivers
- ▶ Extends HDMI up to a distance of 70m over single CAT cable
- ▶ Supports 4K UHD video up to 40m (3840x2160 @60Hz 4:4:4)
- ▶ Supports 4K UHD video up to 40m (3840x2160 @60Hz 4:2:2 including HDR)
- ▶ HDCP 2.2 compliant
- ▶ Web interface module for control and configuration of Matrix
- ▶ Advanced EDID management
- ▶ 3rd Party drivers available for all major home control brands

### Example Schematic



HDMI 2.0	HDCP 2.2
CHDBT	4K 60Hz 4:4:4
HDR	HD AUDIO
AUDIO BREAKOUT	WEB GUI GRAPHICAL USER INTERFACE
PoH	EDID
UP TO 70m 1080p	UP TO 40m 4K 60Hz 4:4:4

## HEX70CS-KIT - HDBaseT™ Extender Set

70m HDBaseT™ Extender Set Supporting 4K 60Hz 4:4:4 (40m)



4K 60Hz 4:4:4	HDR
AUDIO BREAKOUT	UP TO 40m 4K 60Hz 4:4:4

Our HEX70CS-KIT extender set offers market leading features and outstanding value utilising CSC Technology. The product extends HDMI, Bi-directional IR & RS-232 and Bi-directional PoH (Power over HDBaseT™) up to lengths of 70m (4K to 40m). The Transmitter includes a HDMI loop-out for integrating local displays or cascading to multiple devices. The Receiver features simultaneous analogue stereo and digital coax audio breakout.

## HEX100CS-KIT - HDBaseT™ Extender Set

100m HDBaseT™ Extender Set Supporting 4K 60Hz 4:4:4 (70m)



4K 60Hz 4:4:4	HDR
AUDIO BREAKOUT	UP TO 70m 4K 60Hz 4:4:4

Our HEX100CS-KIT HDBaseT™ extender set offers market leading features and outstanding value utilising the latest CSC Technology. The product extends HDMI, Bi-directional IR & RS-232 and Bi-directional PoH (Power over HDBaseT™) up to lengths of 100m (4K to 70m). The Transmitter includes a HDMI loop-out for integrating local displays or cascading to multiple devices. The Receiver features simultaneous analogue stereo and digital coax audio breakout.

## HEX150DSC-KIT - HDBaseT™ Extender Set

150m HDBaseT™ Extender Set Supporting 4K 60Hz 4:4:4 (100m)



4K 60Hz 4:4:4	HDR
AUDIO BREAKOUT	UP TO 100m 4K 60Hz 4:4:4

The HEX150DSC-KIT extender set is an industry leading 4K HDMI 2.0 HDCP 2.2 solution that uses the latest HDBaseT™ technology to deliver full 18Gbps HDMI signal with support for 4K 60Hz 4:4:4, Bi-directional IR, RS232 and PoH (Power over HDBaseT™) up to lengths of 150m (100m at 4K) over a single CAT cable using DSC Technology. The HEX150DSC-KIT also provides enhanced features including HDMI loop-out on the Transmitter, ARC via HDMI or Optical (S/PDIF) and an integrated 3-port Ethernet switch.

# INTRODUCING THE NEW CONTRACTOR SERIES Performance. Simplified.



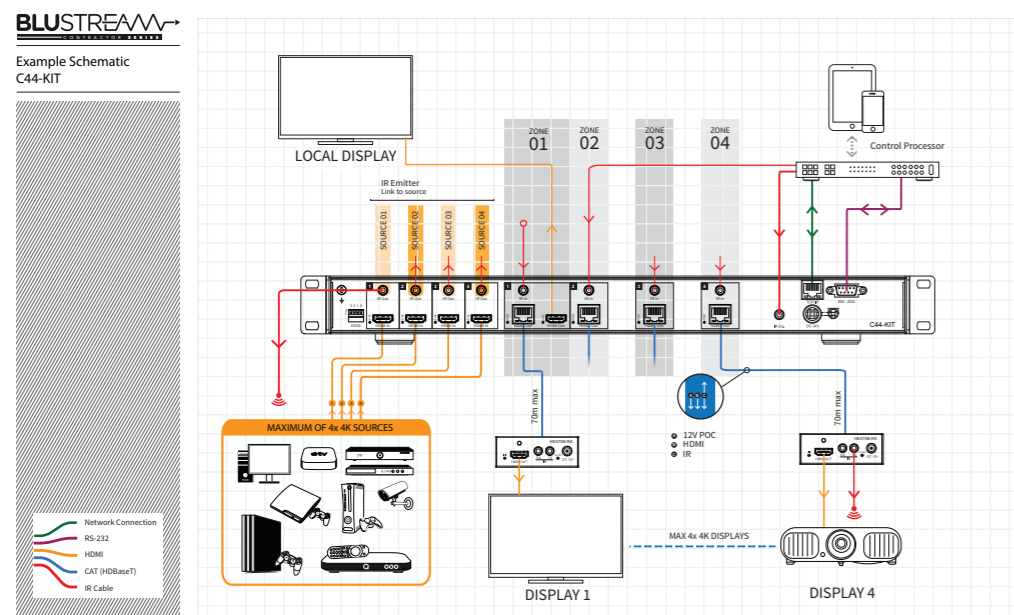
## C44-KIT - Contractor 4x4 HDBaseT™ Matrix Kit

Contractor 4x4 HDBaseT™ Matrix Kit - 70m (4K up to 40m), Bi-directional IR, PoH (PoE), Simultaneous HDMI / HDBaseT™ on output 1, RS-232 & TCP / IP Control, HDCP 2.2 compliant, WEB GUI, Includes 4x HEX70B-RX HDBaseT™ Receivers

### Key Features

- ▶ Features 4x HDMI inputs which can be independently routed to 4x HDBaseT™ outputs
- ▶ Advanced HDBaseT™ technology offering uncompressed video and audio with zero latency
- ▶ Web interface module for control and configuration of the Matrix
- ▶ Advanced EDID management
- ▶ HDCP 2.2 compliant
- ▶ Supports 4K UHD video up to 40m (3840 x 2160 @30Hz 4:4:4, 4096 x 2160 @24Hz 4:4:4, and 4K @60Hz 4:2:0)
- ▶ Supports all known HDMI audio formats including Dolby TrueHD, Dolby Atmos, Dolby Digital Plus and DTS-HD Master Audio transmission
- ▶ 3rd Party drivers available for all major home control brands

### Example Schematic



HDMI 2.0	HDCP 2.2
HDBT	4K
HD AUDIO	PoH
WEB GUI GRAPHICAL USER INTERFACE	EDID
UP TO 70m 1080p	UP TO 40m 4K 60Hz 4:2:0



## CMX42AB - 4K HDMI Matrix

4x2 4K HDMI 2.0 Matrix with Audio Breakout, HDCP2.2



HDMI 2.0	HDCP 2.2	4K 60Hz 4:4:4
EDID	AUDIO BREAKOUT	HD AUDIO

Our Contractor CMX42AB 4K HDMI matrix individually distributes four HDMI sources to two displays enabling all sources to be viewed seamlessly as required within a matrix configuration. The unit transmits all HDMI resolutions up to and including full 4K 60Hz 4:4:4 and HDR (18Gbps). The 4-input matrix also includes audio breakout, RS-232 control and EDID management.

## CMX44AB - 4K HDMI Matrix

4x4 4K HDMI 2.0 Matrix with Audio Breakout, HDCP2.2



HDMI 2.0	HDCP 2.2	4K 60Hz 4:4:4
EDID	AUDIO BREAKOUT	HD AUDIO

Our Contractor CMX44AB 4K HDMI matrix individually distributes four HDMI sources to four displays enabling all sources to be viewed seamlessly as required within a matrix configuration. The unit transmits all HDMI resolutions up to and including full 4K 60Hz 4:4:4 and HDR (18Gbps). The 4-way matrix also includes audio breakout, RS-232 control and EDID management.



Features Independent Audio Routing

# SETTING A NEW STANDARD OF AV DISTRIBUTION

## PLATINUM HDBaseT™ AUDIO & VIDEO MATRIX

Our Platinum HDBaseT™ Matrix delivers a range of industry leading features including: 4K, HDCP 2.2, independent audio routing, simultaneous HDBaseT™/HDMI outputs, HDBaseT™ input module/s, Bi-directional IR and PoH (PoE) up to lengths of 100m over a single CAT cable. The matrix series also provides RS-232 pass through to enable seamless 3rd party control integration, and a web interface module for control and configuration. The matrix can be configured using the Blustream Software or Web-GUI, allowing the user to define audio channels, designate EDID presets, and insert audio delays on outputs to correct any lip sync issues within the system.

Advanced features on the PLAxARC-V2 give the added ability to incorporate Audio Return Channel (ARC), and provide 100BaseT Ethernet to each zone

### Full Range Of Platinum Matrices Available

Model	Description
PLA88ARC-V2	8x8 HDBaseT™ Platinum Matrix - 100m, 4K, HDCP 2.2, Web GUI, Line Level Volume Control
PLA88L-V2	8x8 HDBaseT™ Platinum Matrix - 70m, 4K, HDCP 2.2, Web GUI, Line Level Volume Control
PLA66ARC-V2	6x6 HDBaseT™ Platinum Matrix - 100m, 4K, HDCP 2.2, Web GUI, Line Level Volume Control
PLA66L-V2	6x6 HDBaseT™ Platinum Matrix - 70m, 4K, HDCP 2.2, Web GUI, Line Level Volume Control

\* Additional HDBaseT™ inputs can be configured by request



4K

HDCP 2.2

HDBT

AUDIO BREAKOUT

ARC

HD AUDIO

AUDIO ROUTING

UP TO 100m 1080p

PoH

WEB GUI GRAPHICAL USER INTERFACE

EDID

BI-DIRECTIONAL CONTROL

3D

RS-232

ZERO LATENCY

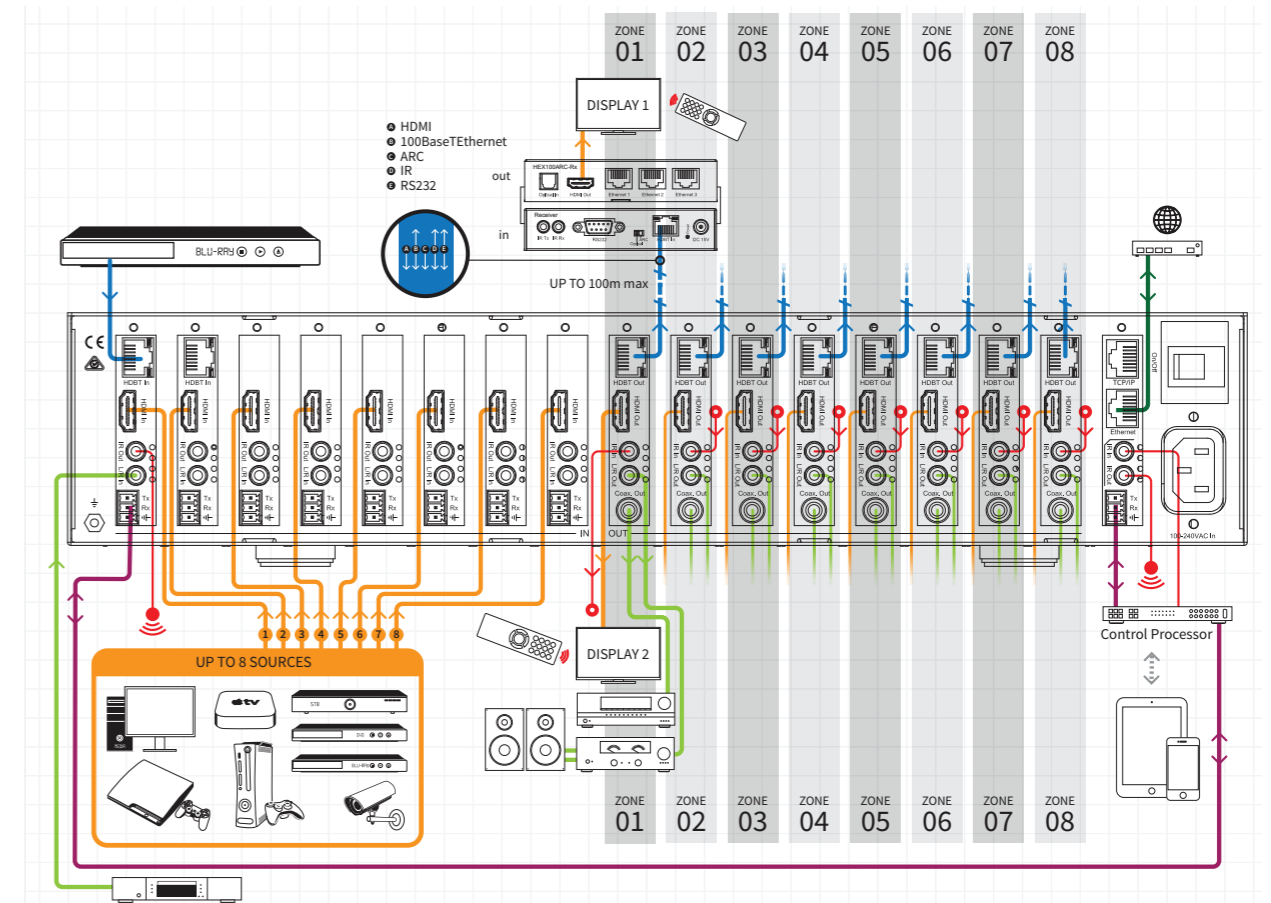
UP TO 70m 4K 60Hz 4:2:0

HDBaseT™ Platinum Matrix



### Key Features

- ▶ Advanced HDBaseT™ technology offering uncompressed video and audio with zero latency
- ▶ Features 8x HDMI inputs which can be independently routed to 8x HDBaseT™ and HDMI outputs
- ▶ Simultaneous HDBaseT™ and HDMI outputs to allow connection to dual displays per zone
- ▶ HDCP 2.2 compliant
- ▶ Supports 4K UHD video up to 3840 x 2160 @30Hz 4:4:4, 4096 x 2160 @24Hz 4:4:4 and 4K @60Hz 4:2:0
- ▶ Supports PoH (Power over HDBaseT™) to power compatible HDBaseT™ transmitters & receivers
- ▶ Features independent 24x16 audio matrix



# It's Time to Rethink the Audio Visual Matrix



## Custom Pro 4K Matrix

The Custom Pro Matrix achieves new levels of both performance and flexibility. AV installers can now easily specify their desired I/O structure and choose the additional control features required for a specific project. The Custom Pro Matrix has been specifically designed to operate in challenging AV environments. Its robust housing and interlocking board configuration make both installation and maintenance a seamless experience. Advanced optional features include audio breakout with pre-amp variable line-level control, simultaneous HDBaseT™/HDMI outputs, RS-232 pass through and a web browser interface module for control and configuration of the matrix.

### Key Features

- 2-Way and 4-Way Interchangeable input & output boards
- Optional control boards; IR Routing, Audio breakout, RS-232
- HDBaseT™ 2.0 specifications with 4K60 4:4:4 & HDR
- HDCP 2.2 compliant
- Pre-configured PRO Matrix models available

### NEW Custom Pro 4K - Input Boards

PRO-IN2H2V	4-Way HDMI 2.0 & VGA Input board
PRO-IN2HAB	2-Way HDMI 2.0 Input board with Audio Breakout
PRO-IN4HAB	4-Way HDMI 2.0 Input board with Audio Breakout

### NEW Custom Pro 4K - Output Boards

PRO-OUT2H-V2	2-Way HDMI 2.0 Output board
PRO-OUT4H-V2	4-Way HDMI 2.0 Output board
PRO-OUT2TCS	2-Way HDBaseT™ (100m) Output board (supports 4K 60Hz 4:4:4 & HDR to 70m)
PRO-OUT4TCS	4-Way HDBaseT™ (100m) Output board (supports 4K 60Hz 4:4:4 & HDR to 70m)
PRO-OUT4HTCS	4-Way HDBaseT™ (100m) / HDMI 2.0 Output board (supports 4K 60Hz 4:4:4 & HDR to 70m)
PRO-OUT2TL-V2	2-Way HDBaseT™ (70m) Output board (supports 4K 60Hz 4:4:4 & HDR to 40m)
PRO-OUT4TL-V2	4-Way HDBaseT™ (70m) Output board (supports 4K 60Hz 4:4:4 & HDR to 40m)
PRO-OUT4TLS-V2	4-Way HDBaseT™ (70m) / HDMI 2.0 Output board (supports 4K 60Hz 4:4:4 & HDR to 40m)



PRO-OUT4TLS  
4-Way HDBaseT™ Lite / HDMI Output Board (70m)

### Custom Pro 4K - Chassis

CUSTOMPRO-HUB	Custom Pro Matrix Hub
---------------	-----------------------

### NEW Custom Pro 4K - Feature Boards

PRO-8IR-V2	8-Way IR Control Board
PRO-8ABV	8-Way Audio Breakout Board



## HMXL44-KIT-V2 - 4x4 HDBaseT™ Matrix Kit

70m (4K up to 40m), Bi-directional IR & RS-232, PoH (PoE), Simultaneous HDMI + HDBaseT™ Outputs, Audio Breakout with pre-amp variable line-level control, RS-232 & TCP/IP Control, HDCP 2.2 compliant, includes 4x HDBaseT™ receivers



The HMXL44-KIT-V2 is a 4K HDCP 2.2 compliant 4x4 matrix package, delivering HDMI, Bi-directional IR and PoH (PoE) up to lengths of 70m over a single CAT cable. The matrix also provides advanced features including audio breakout with pre-amp variable line-level control, simultaneous HDBaseT™/HDMI outputs, RS-232 pass through to enable 3rd party control of displays and web interface module for control and configuration of the matrix. The HMXL44-KIT-V2 is supplied with 4 x HEX70ED Receivers.



## HMXL88-V2 - 8x8 HDBaseT™ Matrix

6x 70m (4K up to 40m) HDBaseT™ Outputs + 2x HDMI Outputs, Bi-directional IR, PoH (PoE), RS-232, IR & TCP/IP Control, HDCP 2.2 compliant, Web GUI

Model	Description
HMXL88 V2	8x8 HDBaseT™ 4K Matrix, HDCP 2.2, Web GUI
HMXL88 V1	8x8 HDBaseT™ 4K Matrix
HMXL66	6x6 HDBaseT™ 4K Matrix



Our Essential 8x8 HDBaseT™ Matrix offers unprecedented performance and value for the custom installation market. The HMXL88-V2 is a 4K HDCP 2.2 8x8 matrix with a combination of 6 x HDBaseT™ and 2 x HDMI Outputs. This allows for cost effective integration of local displays and AV receivers within an installation. The matrix delivers HDMI, Bi-directional IR and PoH (PoE) up to lengths of 70m over a single CAT cable. The matrix features a web interface module for control and configuration and can also be seamlessly controlled by 3rd party control systems via RS-232 or IP.





# EFFORTLESS

## Configuration and Control

We now offer dedicated control apps that significantly increase the control capability of our products. Configuration of your matrix and control of third party sources and displays has never been easier.

### Key Features

- Full configuration of advanced Blustream matrix controls
- Build a fully integrated multiroom AV control solution including third party sources and displays (requires Demopad Cloud account)
- Fast and affordable integrated control for multi-room AV systems
- Intuitive personalised user interface



POWERED BY  
**DEMO PAD**

**Blustream Control**  
Configure a fully integrated multi-room AV system directly from the app  
Includes IR, RS-232 and IP Control of sources and displays



**Blustream Matrix Control**  
Configure and control any Blustream HDBaseT™ matrix directly from your smart phone or tablet

## Control Hardware

### CENTRO 8 Control Processor



### CENTRO C Control Gateway



### CENTRO 8M Micro-Control Processor



ios android

New

**DOLBY** & **dts**

OFFICIAL  
**Licensed Partner**

### HD12DB - HDMI Audio De-Embedder

HDMI Audio De-Embedder with Dolby Digital™ & DTS™ Decoder (4K, HDCP2.2, HDMI2.0)



Our HD12DB has been designed to convert and downmix embedded Dolby or DTS 5.1ch audio within a HDMI signal into an embedded stereo 2ch signal. The HD12DB features a HDMI loop out to continue to pass the multi-channel embedded audio signal to compatible equipment. The unit also features L/R stereo (down-mixed) and Optical audio breakout. This provides the perfect cost effective solution for ensuring that multi-channel audio can be distributed around a multi-room system where there are a mixture of 2ch and 5.1ch zones.

### DAC12DB - Digital to Analogue Converter

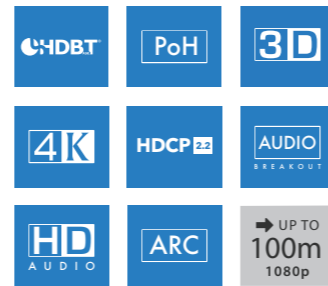
Dolby™ and DTS™ Digital to Analogue Converter



Our DAC12DB is designed to convert and downmix a Dolby or DTS 5.1ch signal from either a Coaxial or Optical output into analogue stereo audio. The DAC12DB also includes a digital converter which will convert Digital Optical audio to a Digital Coaxial signal. This provides a perfect cost effective solution when connecting a multi-channel digital audio output, or digital TV output, to a 2ch stereo amplifier.

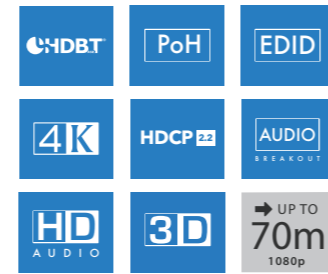
### HEX100ARC-KIT-V2 - HDBaseT™ Extender Set

100m (4K up to 70m), Bi-directional IR & RS-232, Bi-directional PoH (PoE), HDMI loop-out, Audio Breakout, ARC, 3 x LAN switch and supports HDCP 2.2



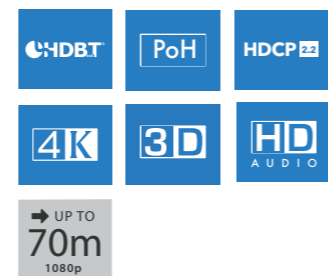
### HEX70ED-KIT-V2 - HDBaseT™ Extender Set

70m (4K up to 40m), Bi-directional IR & RS-232, EDID management, HDMI loop-out, Bi-directional PoH (PoE), HDCP 2.2



### HEX70B-KIT - HDBaseT™ Extender Set

70m (4K up to 40m), Bi-directional IR, Bi-directional PoH (PoE)



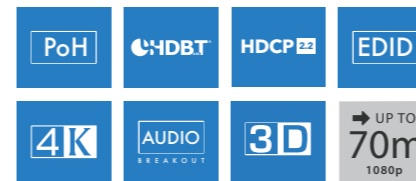
### EX40B-KIT - Slim Line HDMI Extender Set

40m @ 1080p (1080i up to 50m) & Bi-directional IR



### HSP14AB-V2 - 4-Way 4K HDCP 2.2 HDBaseT™ Splitter

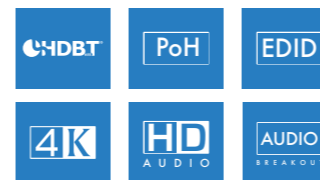
with Audio Breakout, EDID Management and HDMI loop out



Our HSP14AB-V2 4K HDBaseT™ splitter distributes a single HDMI source to four simultaneous HDBaseT™ outputs. It transmits HDMI, Bi-directional IR and PoH (PoE) up to lengths of 70m over a single CAT cable. The 4-Way splitter also features HDCP 2.2 support, audio breakout, EDID management and HDMI loop out for integrating local displays or cascading to multiple devices.

### MFP112 - 11 Input Multi-format Presentation Switch

11 Input 2 Output Multi-format Presentation Switch Including HDBaseT™ input and output



Our MFP112 is a multi-format presentation switcher with in-built video scaling, audio embedding, de-embedding, EDID management and HDBaseT™ input and output. The MFP112 works in 2 modes, first as a 11 input dual output switcher, alternatively each output can work independently with HDMI output 1 routing the 1x HDBaseT™ + 4x HDMI inputs only and output 2 switching all 11 video/audio inputs. With control of the switcher using the front-panel push buttons, IR remote control or RS-232 interface it is an ideal solution for commercial installations.

### MFP72 - 7 Input Multi-format Presentation Switch

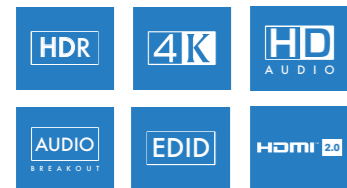
7 Input 2 Output Multi-format Presentation Switch



Our MFP72 is a multi-format presentation switcher with in-built video scaling, audio embedding, de-embedding and EDID management. The MFP72 works in 2 modes, first as a 7 input dual output switcher, alternatively each output can work independently with output 1 routing the 4x HDMI inputs only and output 2 switching all 7 video/audio inputs. With control of the switcher using the front-panel push buttons, IR remote control or RS-232.

### MX44AB-V2 - 4K HDMI Matrix

with Audio Breakout and EDID Management

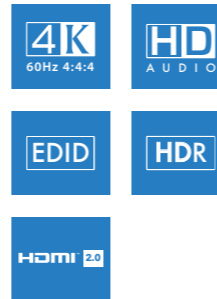


Our 4K HDMI 2.0 matrix individually distributes four HDMI sources to four displays. This enables all sources to be viewed seamlessly as required within a matrix configuration. The unit transmits all HDMI resolutions up to and including 4K 60Hz 4:4:4/HDR. The matrix also includes the advanced features of audio breakout / embedding and EDID management.

### 4K HDMI Splitters

with Audio Breakout and EDID Management

Model	Description
SP14AB-V2	4-Way 4K HDMI 2.0 Splitter supporting 4K 60Hz 4:4:4
SP12AB-V2	2-Way 4K HDMI 2.0 Splitter supporting 4K 60Hz 4:4:4



Our 4K UHD HDMI splitter distributes a single HDMI source to four simultaneous outputs. The unit transmits all HDMI resolutions up to and including 4K 60Hz 4:4:4. The splitter also includes the advanced features of audio breakout and EDID management.

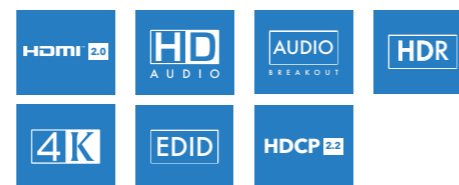
### 4K HDMI Switch

with Audio Breakout and EDID Management

Model	Description
SW41AB-V2	4-Way 4K HDMI 2.0 Switch with Audio Breakout and EDID management
SW21AB-V2	2-Way 4K HDMI 2.0 Switch with Audio breakout - HDCP 2.2

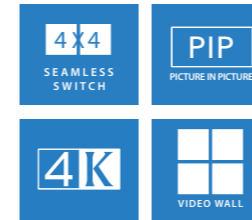


Our HDMI switch with integrated audio breakout can be controlled via IR, front panel and RS232. The switch supports all video resolutions up to and including 4K.



### MX44VW - 4x4 HDMI/VGA Matrix

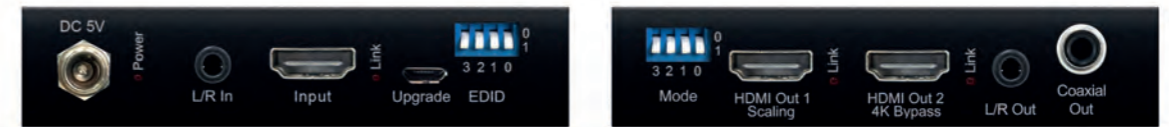
4x4 4K Seamless Switching HDMI/VGA Matrix with Video Wall and Multi-viewer feature, IR routing, RS-232, IR & TCP/IP Control



Our MX44VW 4K HDMI/VGA matrix is a multi-purpose high-speed video processing system. The MX44VW can be configured for 3 different output modes. The MX44VW can perform as a 4x4 seamless matrix switcher, as a 2x2, 4x1 or 1x4 video wall solution and as a quad multi-view presentation system. Inputs can be assigned as either HDMI or VGA with associated L/R analogue audio with control of the switcher via the front-panel push buttons, IR remote control, RS-232 interface and TCP/IP.

### SC12SP-V2 - 2-Way HDMI 4K Down-scaler and Splitter

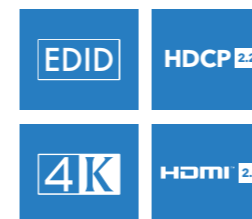
HDMI 4K HDCP 2.2 compliant Splitter (50/60Hz 4:4:4 support) with built in down-scaler, audio breakout and EDID management



Our SC12SP-V2 is a HDMI 4K splitter with in-built down-scaler, designed for installations in which a single 4K video source needs to be distributed to multiple displays that support different maximum video resolutions. The SC12SP-V2 allows those displays only capable of supporting lower video resolutions to receive 4K video while still showing the maximum original 4K resolution on the higher-definition display through the Bypass output. The SC12SP-V2 supports down-scaling of 4K (inc HDR) video to 1080p, features audio breakout, advanced EDID management and is HDCP 2.2 compliant.

### SC11HD-V2 - HDMI 4K Down-Scaler

HDMI 4K Down-Scaler (50/60Hz 4:2:0 support) with Audio Embedder / De-Embedder



The Blustream SC11HD-V2 is a HDMI 4K scaler, designed for installations with multiple displays that support different maximum video resolutions. The SC11HD-V2 is ideal for installations with multiple output resolution requirements. The SC11HD-V2 supports down-scaling of 4K (Inc HDR) video to 1080P and supports HDCP 2.2 with advanced EDID management. It also features either de-embedding or embedding audio within the HDMI signal path.

### SM11

Signal Manager with Audio Embedder / De-Embedder



- › Supports all industry standard video resolutions including VGA-WUXGA and 480i-4K
- › Supports full HDMI 2.0 specification 4K UHD video (4k @ 60Hz 4:4:4)
- › HDCP 2.2 support.

### ADC11AU

Analogue to Digital Audio Converter (ADC)



- › ADC (Analogue to Digital Audio Converter) converts analogue left/right stereo audio input to both SPDIF optical and coaxial digital PCM outputs

### CAT100AU

Audio over CAT

UP TO 300m



- › Extend Optical and Coaxial digital audio signals up to distances of 300m
- › Both optical and coaxial digital can be distributed at the same time
- › Built in DAC (Digital to Analogue audio Converter)

### OPT41AU

4-Way Optical Switch with built-in DAC and audio conversion



### DAC12AU

Digital to Analogue Converter (DAC)  
Simultaneous Analogue and Digital Output



- › Convert the digital audio output from a TV display into analogue stereo
- › Auto-detects digital connection in use
- › 192 kHz Sample Rate

### DIG11AU

Digital Audio Converter



- › Converts digital audio formats (optical to optical and coax, or, coax to optical or coax)
- › Both optical and coaxial digital outputs work concurrently regardless of input type selected

### HD11AU

HDMI Audio Embedder / De-Embedder



- › Can be configured to work as either a HDMI audio de-embedder or audio embedder
- › Supports 4K UHD video pass-through
- › Extract audio and embed analogue L/R audio input onto the HDMI output

- › Perfect for the integration of multiple audio sources with a soundbar
- › DAC (Digital to Analogue Audio Converter) converts selected optical digital to analogue left/right stereo audio output

# Don't forget the cables.



### STATIC STATE HDMI CABLE

Shape your cables and fix them in position for improved connection and cosmetics.

- › Cable can be fixed in any required position, perfect for rack installations
- › Transmit all video resolutions up to and including 4K
- › High Speed with Ethernet
- › 3D Compatible
- › Deep Colour

Model	Description
HDMISS-05	Blustream Static State HDMI 0.5m
HDMISS-07	Blustream Static State HDMI 0.7m
HDMISS-1	Blustream Static State HDMI 1.0m

### PERFORMANCE HDMI CABLE

Our longer length Performance HDMI cables have been extensively tested to guarantee 4K resolutions up to 15m.

- › 99.999% Oxygen Free Copper for enhanced signal transfer
- › Transmit all video resolutions up to and including 4K
- › High Speed with Ethernet (Except 10m & 15m lengths)
- › 3D Compatible
- › Deep Colour



Model	Description
HDMIP-0.5	Performance HDMI Cable - 0.5m
HDMIP-1	Performance HDMI Cable - 1m
HDMIP-2	Performance HDMI Cable - 2m
HDMIP-3	Performance HDMI Cable - 3m

Model	Description
HDMIP-5	Performance HDMI Cable - 5m
HDMIP-7	Performance HDMI Cable - 7m
HDMIP-10	Performance HDMI Cable, Standard Speed - 10m
HDMIP-15	Performance HDMI Cable, Standard Speed - 15m



### MICRO FORM HDMI CABLE

Discrete design for tight spaces and compact installations

- › Discrete design for tight spaces and compact installations
- › Transmit all video resolutions up to and including 4K
- › High Speed with Ethernet
- › 3D Compatible
- › Deep Colour

Model	Description
HDMIM-0.5	Micro Form HDMI Cable - 0.5m
HDMIM-1	Micro Form HDMI Cable - 1m
HDMIM-1.5	Micro Form HDMI Cable - 1.5m
HDMIM-2	Micro Form HDMI Cable - 2m

**BLUSTREAM** 

[www.blustream.co.uk](http://www.blustream.co.uk)

Official Distribution Partner

Blustream Ltd

The Service Station, Melton Road,

Nottinghamshire, LE14 3QG, UK

email: [sales@blustream.co.uk](mailto:sales@blustream.co.uk)

Tel: +44 (0)115 824 7000

**HDMI**™  
HIGH-DEFINITION MULTIMEDIA INTERFACE

**HDBT**™  
ASE

**DOLBY**™

 **dts**™