

BT-NONAMOVE

B05533

DESCRIPTION

BT-NONAMOVE turns the static BT-NONABEAM into an extremely powerful moving show projector, ready for the biggest shows on the planet!

FEATURES

- This new moving yoke unleashes totally new potential for the already very impressive BT-NONABEAM!
- It turns the static BT-NONABEAM into an extremely powerful moving show projector, ready for the biggest shows on the planet!
- It takes less than a minute and no tools to install the projector on the BT-NONAMOVE.
- No configurations needed: intelligent communication between both units ensures a seamless transformation into a completely new product.
- Extremely powerful 3-phase motors assure fast, noiseless and accurate 16bit PAN/TILT movements.
- Combined DMX-control for both units: 18 + 34 + 50 channels. (+ special 5ch mode)
- Advanced and fully transparent RDM-communication.
- An optional MIRROR-adapter turns the BT-NONAMOVE into a double-sided 46x20cm moving mirror:
 - **Front:** the high-polished mirror can reflect sharp light/laser beam in any direction.
 - **Back:** a diffuser reflector can produce soft, scattered reflections in any direction.
- Color screen with compact setup menu and encoder navigation.
- Easy daisy chaining: 3pin & 5pin + Neutrik® PowerCON® TRUE-1 in/out.



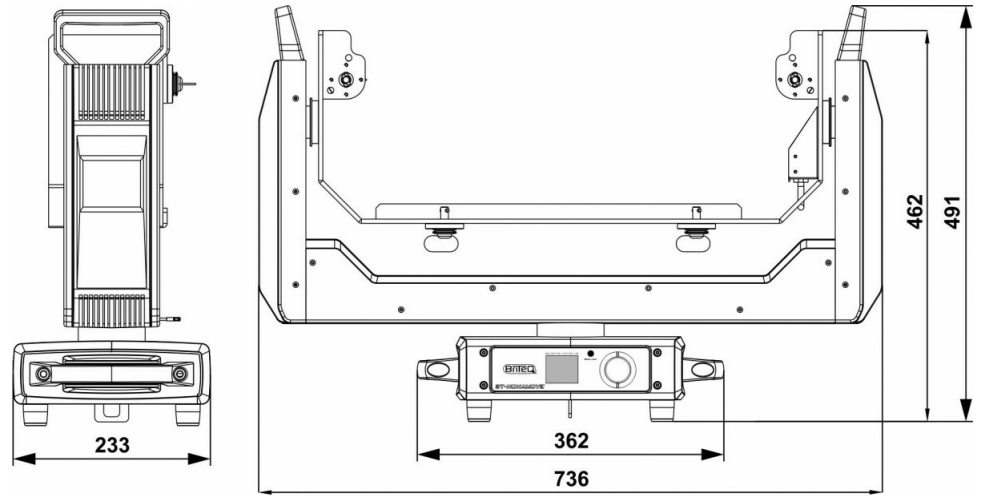
www.briteq-lighting.com | <https://www.facebook.com/Briteq>

Beglec NV has the right to change products and specifications with and without notice. Major as well as minor changes can be involved. This leaflet can contain errors, therefore we advice to consult your local dealer to ensure that actual features and specifications match your requirements. Copyright © 2020 by BEGLEC NV. All rights reserved.



TECHNICAL SPECIFICATIONS

General : Application	DJ & Club, Stage & Rental, Theatre
General : Dimensions (cm)	see drawing
General : Weight (kg)	15.5
General : Powerinput	AC 100 - 240V, 50/60Hz
General : Energy Label	No
General : Power consumption W	50
General : Color	black
General : Display	LCD
General : Fixation	included omega bracket
General : IP rating	indoor
Control : manual	No
Control : Master/Slave	No
Control : SMART-DMX	No
Control : Standalone	no
Control : programmable	No
Control : upgradable software	Yes
Control : maximum DMX channels	50
Light : lamp socket	none
Light : lamp	None
Light : mix colors	No
Light : min. refresh rate (kHz)	No
Light : max. refresh rate (kHz)	No
Connections : input	3 pin XLR, 5 pin XLR, TRUE1 powerCON, rdm
Connections : output	3 pin XLR, 5 pin XLR, TRUE1 powerCON, rdm
Brand	BRITEQ
EANCode	5420025655330



YOUR DEALER



www.briteq-lighting.com | <https://www.facebook.com/Briteq>

Beglec NV has the right to change products and specifications with and without notice. Major as well as minor changes can be involved. This leaflet can contain errors, therefore we advice to consult your local dealer to ensure that actual features and specifications match your requirements. Copyright © 2020 by BEGLEC NV. All rights reserved.