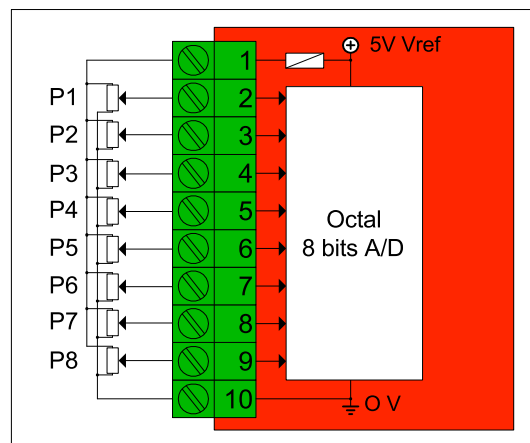




AI8RA Card

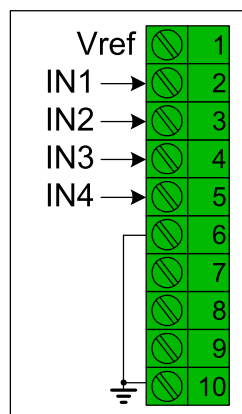
The Analog Input 8 channel Ratiometric converter card provides 8 analog ratiometric inputs to read Potentiometers, Analog detection, Sensors, ...

- Resolution: 8 bits
- Voltage reference available on pin #1
- Input voltage range: 0 to 5 VDC
- Input voltage protection: ± 30 VDC
- No Isolation with the backplane



In case not all inputs are needed, it is recommended to use consecutive inputs starting IN1 (pin #2), then wire first unused to pin #10 (0 Volts or Ground) in order to avoid A/D converter noise issues.

Example: 4 inputs wired on IN1 to IN4, IN5 must be connected to Ground



Kiss-Box Europe (Main Office)

Westerdoksdiijk 679 1013 BX Amsterdam The Netherlands-EEC

+31 20 6206212 +31 84 8339330 www.kiss-box.com