

1

2

3

4

5

6

A

A

B

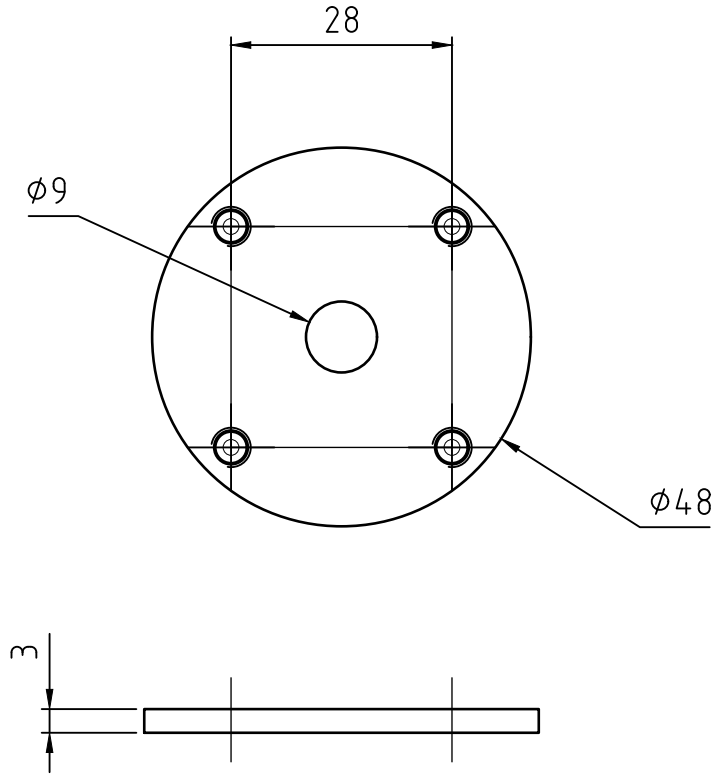
B


C

C

D

D



 <p>AUDIPACK Industriestraat 2 2251 GT Moerlappe The Netherlands tel. +31(0)795931671 fax. +31(0)795933115 www.Audipack.com</p> <p>© COPYRIGHT AUDIPACK This print and the information shown thereon, is the property of AUDIPACK. It may not be delivered to others nor reproduced for general circulation without the written consent of the AUDIPACK engineering department.</p>	<p>Material: Treatment: BLACK RAL 9005</p>	<p>TOLERANCES, UNLESS NOTED OTHERWISE: ISO 2768-m</p>
	<p>Drawn by: Name: Juul Date: 27-11-2020</p> <p>Checked by:</p> <p>Appr. by:</p>	<p>Sheet: 1 of: 1 Scale: 1:1 Format: A4</p>
<p>Description: 1/4 UNC Camera interface</p>		<p>Part Number: P8205</p>

1

2

3

4

5

6