

KL PANEL XL



The **KL PANEL XL™** is a full-color-spectrum LED soft light that provides high output, precise color temperature control, full spectrum color rendering and even wash coverage. Optimized for the tunable white light requirements of Film and Television, it is an ideal key and fill light source for many situations requiring outstanding performance and color quality.

FEATURES

- 544W RGBWLC (Red, Green, Blue, White, Lime, Cyan) LED Array
- CRI 95, CCT Adjustment from 2,000 to 10,000K
- 44,000 Total Lumen Fixture Output
- 4x2 Section control option
- Internal Power Supply with Power Pass-Through
- 24-36 VDC Battery Operation (battery not included)
- DMX/RDM, Art-Net and sACN Protocol Support
- E-FLY™ Internal Extended Range Wireless DMX Transceiver
- Stand-Alone Control with 3 Encoders and OLED Display
- Barn Doors, Diffuser, and Junior Pin (1 1/8" - 28mm) included

The KL PANEL XL incorporates a highly efficient 6-in-1 LED package that produces up to 44,000 lumens at a 100° half-peak angle. The optional 4x2 Section control provides additional creative capabilities for color effects and visual impact.

Compact and portable, the fixture can be mounted on a stand or suspended using any standard clamp or the included Junior pin adapter. A rugged housing with impact resistant surrounds and base plate ensures the KL Panel XL can handle the rough handling on today's fast paced sets.



It is fully self-contained without the need for an external power supply. It can also be remotely powered thru its integrated 4-pin XLR 24-36 VDC battery input. The KL Panel can be operated through industry standard DMX, Art-NET or sACN protocols. In addition, it can also be adjusted manually using the included encoders and OLED display, providing instant control of Intensity, Color temperature, Green shift and other important settings. The display and encoders are conveniently positioned on the bottom of the fixture to ensure easy access while the KL Panel is mounted on a stand. The integration of Elation's E-FLY™ wireless system allows for even more flexibility of use.

Specifications subject to change without notice ©Elation Professional 09/16/2021

Elation Professional USA | 6122 S. Eastern Ave. | Los Angeles, CA. 90040
323-582-3322 | 323-832-9142 fax | www.elationlighting.com | info@elationlighting.com

Elation Professional B.V. | Junostraat 2 | 6468 EW Kerkrade, The Netherlands
+31 45 546 85 66 | +31 45 546 85 96 fax | www.elationlighting.eu | info@elationlighting.eu

PRODUCT SPECIFICATIONS

SOURCE

6-in-1 (Red, Green, Blue, White, Lime, Cyan) Full Spectrum LED Array
 50,000 Hour Average LED Life*
 *Test lab conditions. May vary depending on several factors including but not limited to:
 Environmental Conditions, Power/Voltage, Usage Patterns (On-Off Cycling), Control, and Dimming.

PHOTOMETRIC DATA

up to 44.000 Total Lumen Output
 Diffuser
 Beam Angle 101°
 Field Angle 159.4°
 Without Diffuser
 Beam Angle 111°
 Field Angle 155.4°

EFFECTS

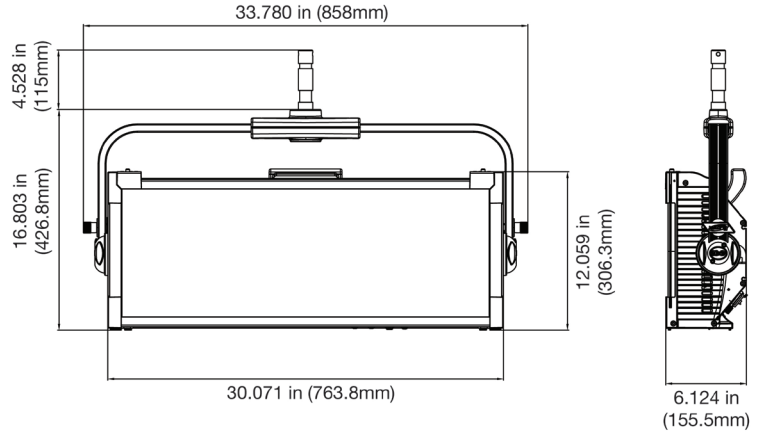
Variable CCT 2,000K - 10,000K
 Green-Shift Adjustment
 4x2 Section Control
 Virtual Gel Library
 Variable 16-bit Dimming Curve Modes
 High Speed Electronic Shutter and Strobe
 Remote Adjustable LED Refresh Rate Frequency (900-25kHz)

CONTROL / CONNECTIONS

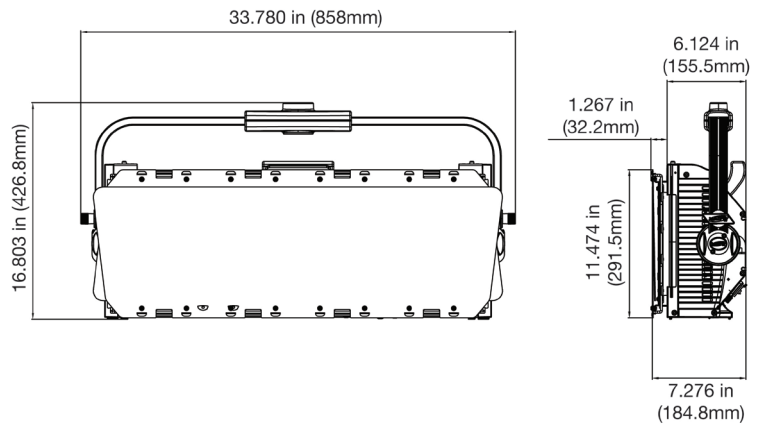
12 DMX Channel Modes (1-96 Ch.)
 1 or 8 cell control sections
 3 Manual Adjustment Encoders
 4 Button Control Panel and OLED Menu Display

DIMENSIONAL DRAWINGS

NO BARDOOR



BARDOOR INSTALLED



*DRAWINGS NOT TO SCALE

ORDERING INFORMATION

KLP103 | KL Panel XL

