



## APPLICATIONS

- Bars and Cafes
- Restaurants & Dining
- Retail stores
- Fitness centres
- Hotels and Education Sites
- Corporate, Government & Enterprise
- House of Worship

2/4/8-channel full matrix DSP power amplifiers

## PowerZone™ Connect 1U series

PowerZone™ Connect 122 / 122D • PowerZone™ Connect 252 • PowerZone™ Connect 254  
PowerZone™ Connect 504 / 504D • PowerZone™ Connect 508 • PowerZone™ Connect 1008

- ✓ Compact form factor
- ✓ Full-matrix DSP configuration via PowerZone™ Control web app (built-in)
- ✓ Hybrid power distribution in both Lo-Z and Hi-Z
- ✓ Powered by Pascal UMAC™ Class-D technology
- ✓ Flexible power sharing across output channels
- ✓ S/PDIF digital input/output
- ✓ Audinate Dante® AoIP compatibility (selected models)
- ✓ Configurable GPIO
- ✓ ErP and Energy Star compliant
- ✓ UL listed audio equipment
- ✓ UREC™ universal power supply with PFC
- ✓ 5 Year warranty

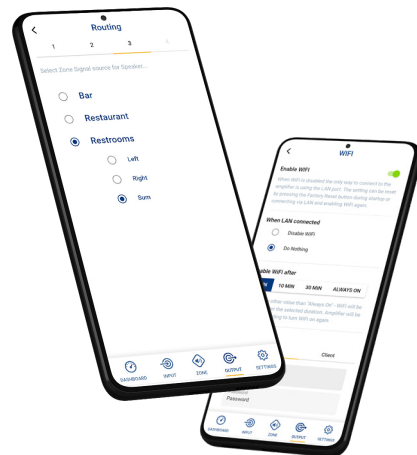
The PowerZone™ Connect 1U series is a line of DSP-enabled Class-D amplifiers designed to make system installers' lives easier, offering unparalleled reliability and efficiency, along with exceptional system configuration. The amplifiers have built-in Wireless-Access-Point (WAP) for simple connection and easy system setup via Wi-Fi, with select models offering compatibility with Audinate Dante® AoIP networks and installations.

## WEB APP

Our web app, PowerZone™ Control, is the most versatile DSP controller available for configuring audio/voice systems in locations requiring multi-zone audio set up with multiple mic talk overs.

PowerZone™ Control facilitates effortless customization of even the most detailed audio/voice systems and management of multiple DSP configurations and tuning features, such as multi-zone setup, input mixing, priority and ducking, restriction, input and output EQ, S/PDIF output routing, high-pass filter, speaker management and presets, delay, Wall-S1 con-troller configuration, Sine generator, and much more.

PowerZone™ Control caters to the demanding requirements of advanced system installs in locations such as retail stores, restaurants, hotels, educational facilities, theatres, bars, cafes, fitness locations, vast hospitality spaces, and spaces with multiple meeting/conference rooms.



PowerZone™ Control is embedded in our PowerZone™ Connect DSP amplifiers, and can be accessed from any device and browser via the PowerZone™ Connect built-in Wireless-Access-Point or RJ45 network port.

## TECHNICAL SPECIFICATIONS

Model	PowerZone™ Connect 122/122D	PowerZone™ Connect 252	PowerZone™ Connect 254	PowerZone™ Connect 504/504D	PowerZone™ Connect 508	PowerZone™ Connect 1008
Total System Power	125 W	250 W	250 W	500 W	500 W	1000 W
Output Power @ 4/8 Ω	2 x 60 W	2 x 125 W	4 x 60 W	4 x 125 W	8 x 60 W	8 x 125 W
Output Power @ 70/100 V*	1 x 125 W	1 x 250 W	2 x 125 W	2 x 250 W	4 x 125 W	4 x 250 W
Powershare (up to) Across channels	1 x 125 W	1 x 250 W	1 x 250 W	2 x 250 W**	2 x 250 W***	4 x 250 W****
Power Consumption	75 W	75 W	75 W	150 W	150 W	300 W
Dimensions	44 x 220 x 213 mm (1.7 x 8.7 x 8.4 in)	44 x 220 x 213 mm (1.7 x 8.7 x 8.4 in)	44 x 220 x 319 mm (1.7 x 8.7 x 12.6 in)	44 x 220 x 319 mm (1.7 x 8.7 x 12.6 in)	44 x 440 x 319 mm (1.7 x 17.3 x 12.6 in)	44 x 440 x 319 mm (1.7 x 17.3 x 12.6 in)
Weight	2 kg (4.4 lbs)	2 kg (4.4 lbs)	2.8 kg (6.2 lbs)	2.8 kg (6.2 lbs)	3.5 kg (7.7 lbs)	3.8 kg (8.4 lbs)
Power Ratings	Output power measured @ 1% THD at 120 VAC 60 Hz and 230 VAC 50 Hz					
Output Circuitry	UMAC™ Class D - full bandwidth PWM modulator with ultra-low distortion					
Output Voltage	45 Vrms (S.E) - 70 / 100 V (Hi-Z)					
Signal To Noise-Ratio	> 106 dB (A-weighted, 20 Hz - 20 kHz, 8 Ω load)					
THD+N (typical)	< 0.05% (20 Hz-20 kHz, 8 Ω load, 3 dB below rated power)					
Frequency Response	20 Hz - 20 kHz (+0 / -0.25 dB (8 Ω load, 3 dB below rated power)					
Protection Circuits	Short circuit -, DC -, Undervoltage -, Temperature - and Overload protection					
Power Supply	UREC™ universal mains switch mode power supply with Power Factor Correction (PFC) and standby converter					
Operating temperature	0 - 40° C					
Operating Voltage/ Frequency	Universal Mains, 100 V - 240 V, 50 Hz - 60 Hz					
Standby Consumption	< 0.5 W					
Accessories	2 x Rack ears 1 x ½ rack plate extension 2 x ½ rack mounting plates 2 x Rear supports				2 x Rack ears (fitted) 2 x Rear supports	
Options	Audinate Dante® AoIP compatibility (122D/504D only)					

\*100 V line mode is @ -1 dB (≈ 90 V)

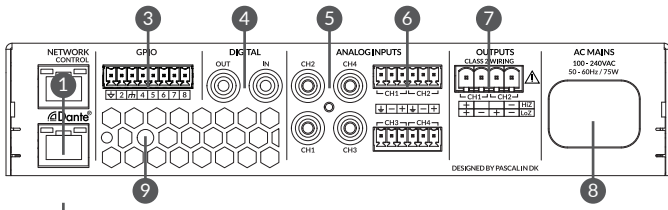
\*\*PowerZone™ Connect 504: 250 W across ch 1/2 and 250 W across ch 3/4

\*\*\*PowerZone™ Connect 508: 250 W across ch 1/2/3/4 and 250 W across ch 5/6/7/8

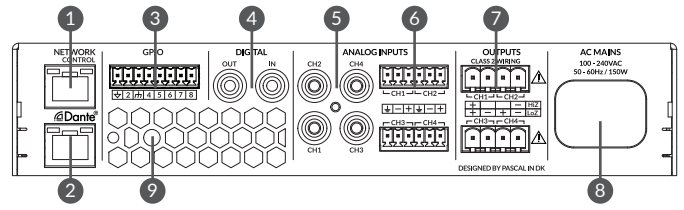
\*\*\*\*PowerZone™ Connect 1008: 250 W across ch 1/2, 250 W across ch 3/4, 250 W across ch 5/6, 250 W across ch 7/8

# TECHNICAL SPECIFICATIONS

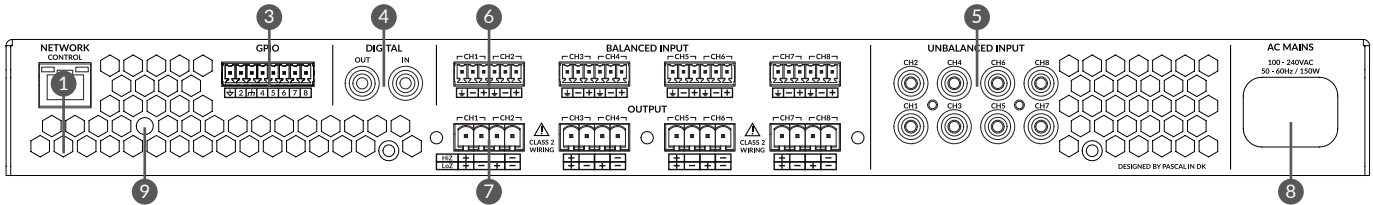
## 2-channel PowerZone™ Connect 122/122D & 252



## 4-channel PowerZone™ Connect 254 & 504/504D

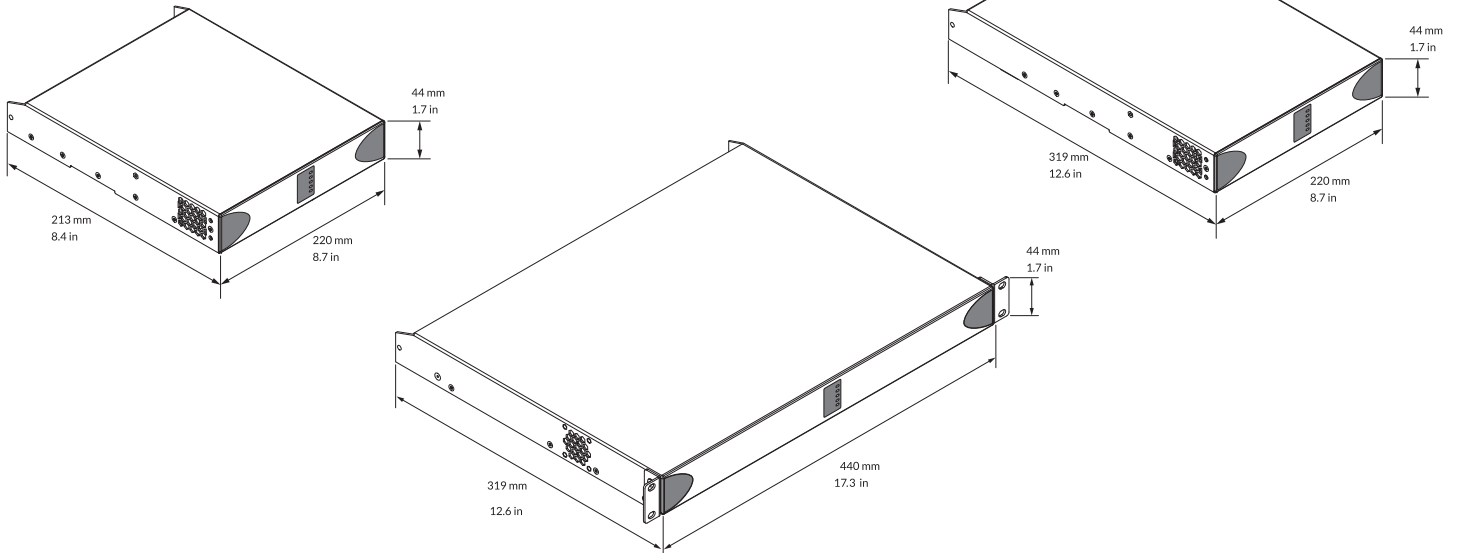


## 8-channel PowerZone™ Connect 508 & 1008



- |  |  |
|--|--|
| <ol style="list-style-type: none"> <li>1. RJ45 Network port</li> <li>2. Audinate Dante® RJ45 port (122D/504D only)</li> <li>3. GPIO Connections</li> <li>4. Digital audio in/out - (S/PDIF)</li> <li>5. 4 or 8 x Unbalanced RCA input (model depending)</li> </ol> | <ol style="list-style-type: none"> <li>6. 4 or 8 balanced inputs (model depending)</li> <li>7. 4 or 8 x Lo-Z outputs - 2 or 4 x Hi-Z outputs (model depending)</li> <li>8. Mains Power IEC 90-268 Vac input</li> <li>9. Wi-Fi antenna</li> </ol> |
|--|--|

# DIMENSIONS



## HEAT DISSIPATION

PowerZone™ Connect	Load [Ohm]	Pin [W]	Pout [W] 1/8 <sup>th</sup> Full Power	Efficiency [%]	Thermal Loss [W]	Thermal Loss [BTU/h]
122/122D	4	32.8	15	45.7	17.8	61
252	4	54.1	31.25	57.8	22.85	78
254	4	58.7	30	51.1	28.7	98
504/504D	4	107	62.5	58.6	44.5	152
508	4	97.3	60	61.9	37.3	127
1008	4	200	125	62.5	75	256

## ACCESSORIES

