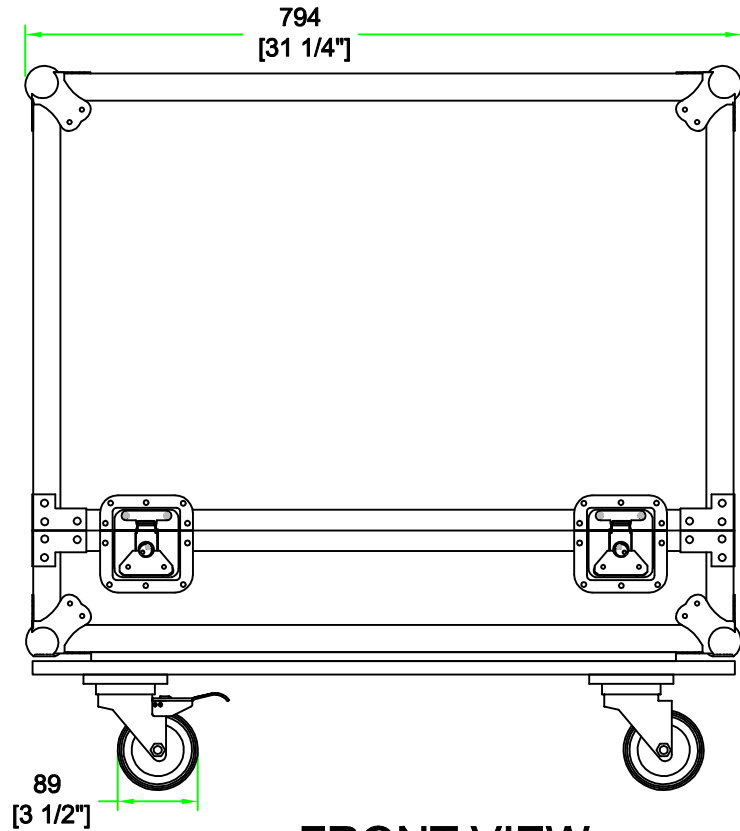
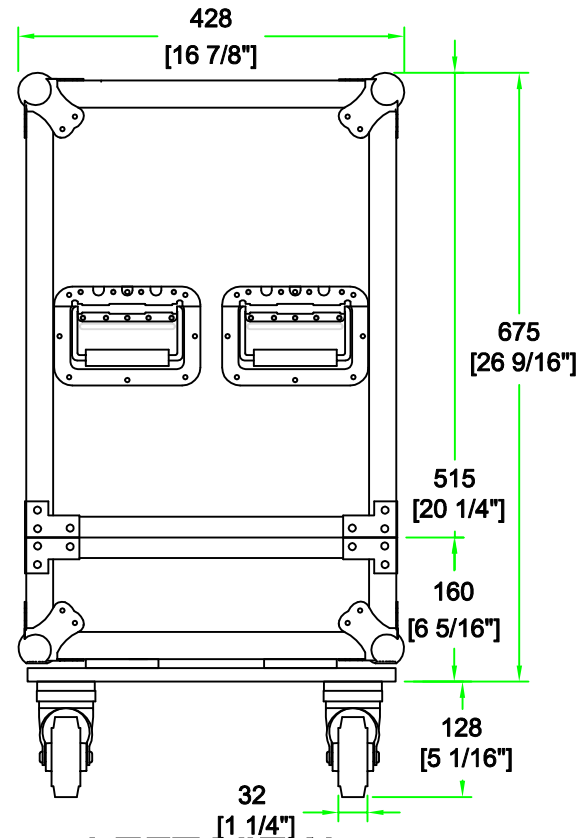



# RR2SPEAKER10



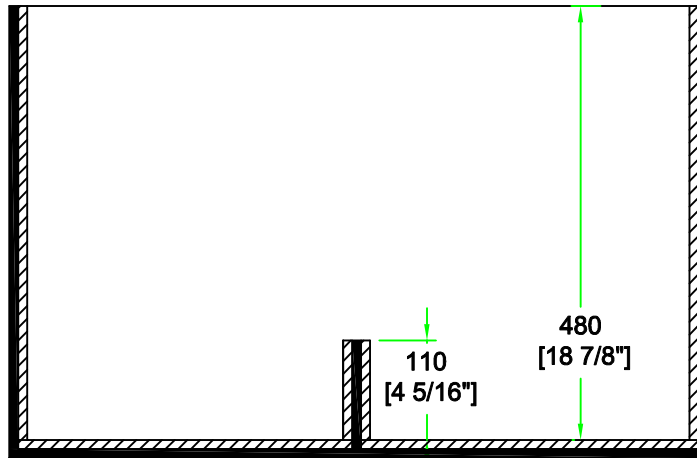
FRONT VIEW  
BACK VIEW



LEFT VIEW  
RIGHT VIEW

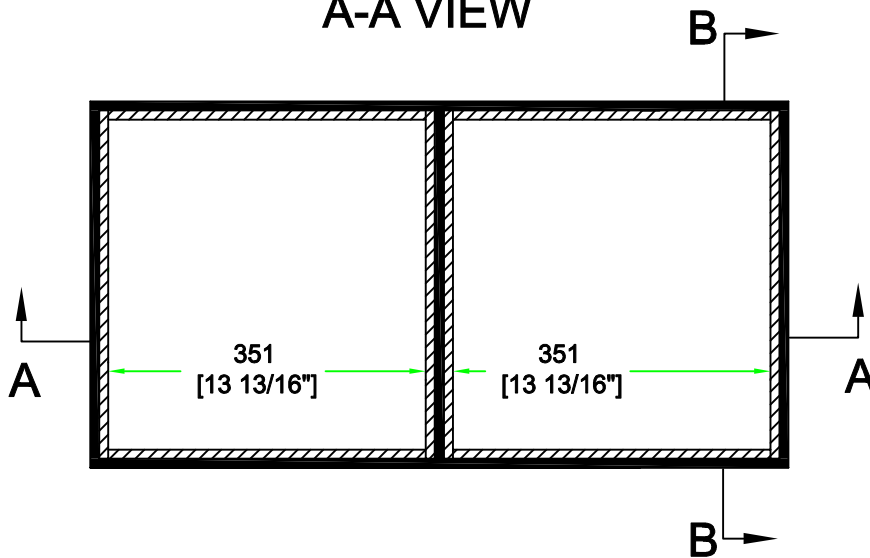
	SKU: RR2SPEAKER10	BY:	
	UPC: NA	ROAD READY CASES	
	APPROVAL SIGNATURE: _____	DATE: _____	
DRAWING DATE:	SCALE:	DRAWING NUMBER:	REVISION:
02 / 21 / 2024	1:8	1/3	NA

# RR2SPEAKER10

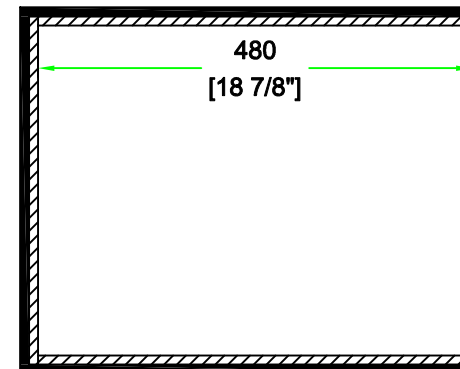


A-A VIEW

lined w/ 10mm EVA



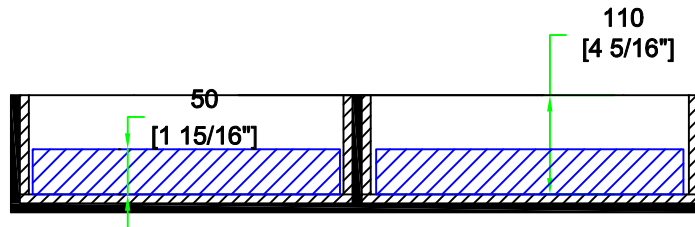
TOP VIEW OF COVER



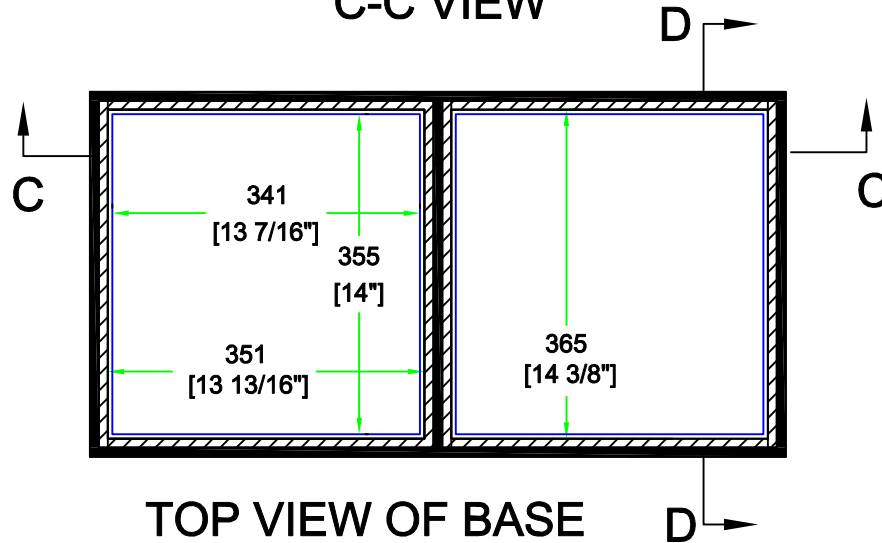
B-B VIEW

	SKU: RR2SPEAKER10	BY:	
	UPC: NA	ROAD READY CASES	
	APPROVAL SIGNATURE: _____	DATE: _____	
DRAWING DATE:	SCALE:	DRAWING NUMBER:	REVISION:
02 / 21 / 2024	1:8	2/3	NA

# RR2SPEAKER10



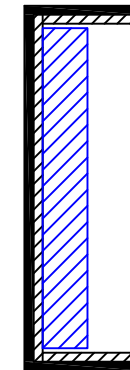
C-C VIEW



TOP VIEW OF BASE

lined w/ 10mm EVA

removable hard foam (50mm thick):  
341\*355 x2 pcs



D-D VIEW

	SKU: RR2SPEAKER10	BY:	
	UPC: NA	ROAD READY CASES	
	APPROVAL SIGNATURE: _____	DATE: _____	
DRAWING DATE: 02 / 21 / 2024	SCALE: 1:8	DRAWING NUMBER: 3/3	REVISION: NA