



Sennheiser Business Solutions

Visitor guidance & audio streaming

SENNHEISER



Learning requires listening.

Sennheiser develops state-of-the-art audio technologies to bring culture and education to life for everyone. With MobileConnect and Tourguide, we offer the best audio quality for your guided tour, lecture or cultural event. Offer your visitors, participants and students all-inclusive audio enjoyment.



To turn information into experience.

On guided tours you can convey a lot more than just information. Emotions and experiences for example. Provided that your equipment is up to the job.

You have a lot to tell and huge amounts of knowledge to convey. Sennheiser visitor guidance systems help you accomplish that acoustically, in many different ways.

For the systems not only transport your voice to the visitor crisp and clear, they also enable multimedia applications. Furthermore, these solutions can be used for interpreter applications and for assistive listening. The combination of outstanding audio quality in any environment, ease of use, and flexible application has made our visitor guidance systems the acoustic benchmark worldwide.

Visitor Guidance Systems



Tourguide 1039



Tourguide 2020-D

Tourguide 1039

Information becomes an experience
- precise and safe

Endless individual options, no compromises — Tourguide 1039 is the professional visitor guide system for highest demands. With enormous power reserves and ample scope for really made-to-measure applications. The EK 1039 is an exceptionally rugged Tourguide receiver. It is designed for applications such as guided tours, multi-language interpretation, assistive listening and command applications for example in the fields of sports.

Learn more at
www.sennheiser.com/tourguide-1039



BENEFITS & FEATURES

- **Optimum speech intelligibility**
Giving the highest level of transmission reliability
- **Easy to operate**
Handling and operation very easy and intuitive
- **Very rugged**
- **For up to 32 groups of visitors simultaneously**
Can be integrated into interpreting systems without interference
- **Assistive listening devices possible**
For maximum accessibility



Whichever requirements you have for your event – Sennheiser has the optimum solution: high-quality, versatile tour-guide systems.

We have the answer.

Tourguide 1039



Highest operational safety

Safe and smooth operation and excellent audio transmission quality even when using the maximum number of frequencies.



More channels in the frequency jungle

Up to 32 available transmission channels, mastering even major events with simultaneous translation into many languages without interference.



Enough power for every application

Reliable and high professional audio transmission. Perfectly suited as a system for assistive listening.

Tourguide 2020-D

Information becomes an experience
- quite simply

Excels with extremely simple handling, convinces with professional functionalities: The digital system Tourguide 2020-D stands for uncomplicated audio solutions in visitor guidance, at conferences, and for assistive listening. Thanks to digital wireless transmission technology this tour-guide system offers short set-up times and absolute ease of use. It is the ideal choice for a variety of applications, e.g. visitor guidance, assistive listening, and interpreter applications.

BENEFITS & FEATURES

- **Easy operation**
Simple handling, quick set-up, designed for ease of use
- **Flexibly combinable**
Full flexibility for diverse application scenarios
- **Six to eight channels**
Simultaneously in the same venue



Excels with extremely simple handling, convinces with professional functionalities.

Uncomplicated audio solutions in visitor guidance.

Tourguide 2020-D



Simply more intuitive

Quickly set-up for operation, receiver channels can be synchronised at the push of a button while still in the charging bay.



Easier to comprehend

Extremely quick to set up, without elaborate frequency planning. Automatic functionalities make installation and operation easier still.



More flexible in use

It fits for guidance and interpreter applications; for assistive listening in theaters or opera; for temporary use and the rental business.



The curtain rises on a new world.

Assistive Listening on your Smartphone

Sennheiser MobileConnect streams audio content via WiFi live and in great quality directly to any smartphone. Let your audience adjust the sound characteristics intuitively with the free MobileConnect App.

Personalized accessibility for students and audiences

MobileConnect is Sennheiser's WiFi-based system for accessible hearing. It is optimized for the use in universities where it serves best the demand of students for state-of-the-art audio technology that is easy to use. Following the BYOD philosophy, MobileConnect is also perfectly suitable for the use in Theatre, Opera and Musical.

Audio Streaming Solutions



MobileConnect

From presentation universities to theatres and operas, personalised accessibility for students and audiences.

All with an app on the user's own smartphone.

**Fast installation**

Integrates easily into any existing audio infrastructure and can be installed within a day.

Quickly amortised

No maintenance nor operational costs, which means a lower Total Cost of Ownership and faster Return on Investment.

Personal Hearing Assistant

The audio signal can be adjusted easily according to individual hearing needs.

**Totally inclusive**

The system can be used for hearing support, audio description or live interpreting.

Easy integration

MobileConnect can be operated in standalone mode or can be integrated into your existing network.

**Technologically advanced**

All sound parameters can be individually adjusted in the MobileConnect App.

MobileConnect

Assistive Listening on your Smartphone

How it works

With MobileConnect, the innovative assistive listening system, lectures are transmitted over WiFi in real-time and in high quality to mobile devices and smartphones. To access a live stream, students simply need to download and install the free MobileConnect app (available for iOS and Android) and connect to their university's WiFi network with their own device.

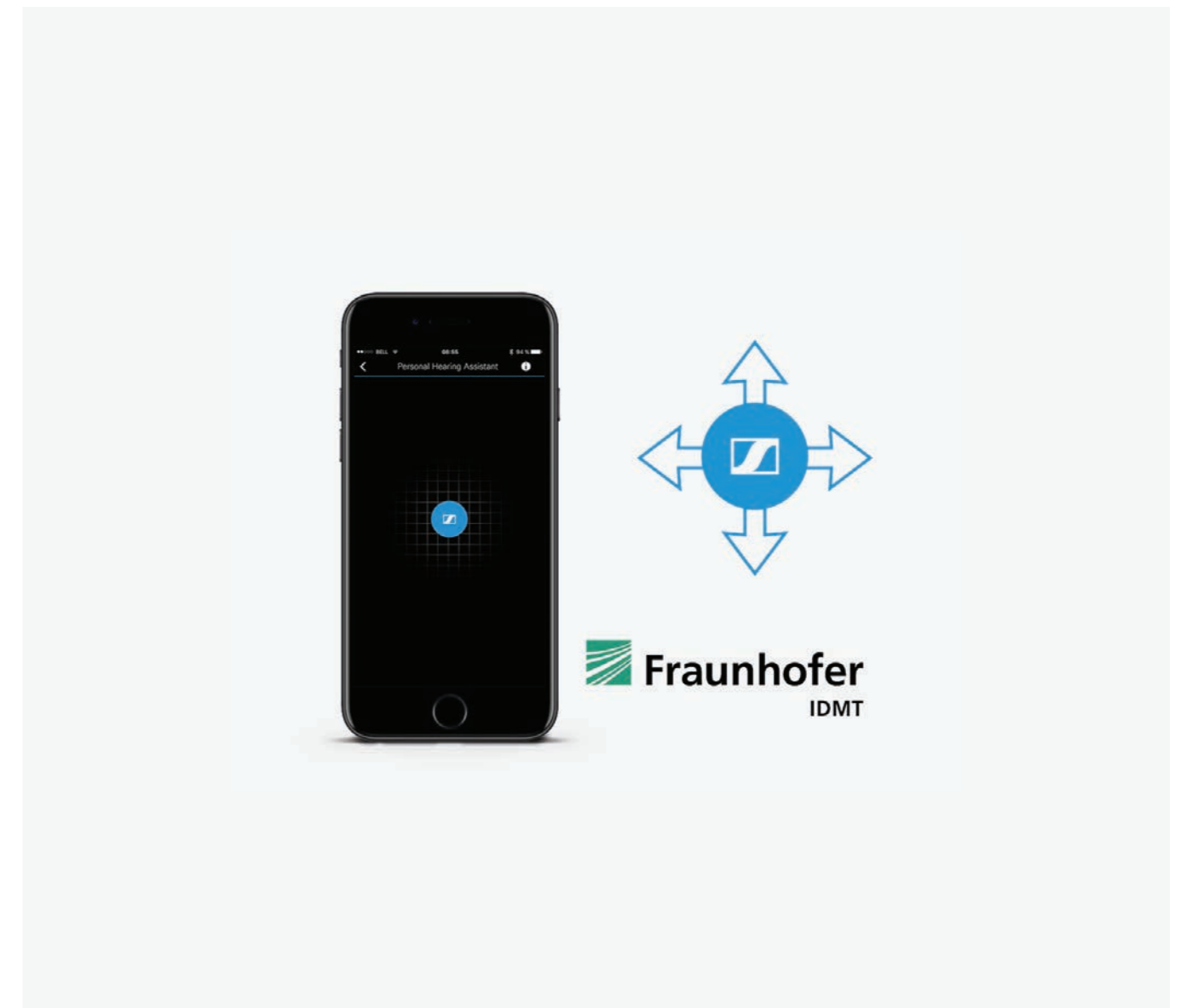
Learn more at
www.sennheiser.com/mobileconnect

BENEFITS & FEATURES

- **Low latency transmission**
Of audio content to mobile devices (indispensable for Assistive Listening over WiFi)
- **Wireless BYOD connectivity**
With best audio quality in real-time audio streaming
- **Unicast transmission technology**
Transmission of audio content over WiFi to all smartphones (iOS & Android) worldwide is possible
- **Fast setup, easy operation**
Integrate easily into any existing audio infrastructure



The pioneering system for assistive listening.



Personal Hearing Assistant

Developed with Fraunhofer-Institut für Digitale Medientechnologie IDMT, the Personal Hearing Assistant allows to adjust the audio signal easily according to individual hearing needs. This intuitive touchscreen control offers assistive listening for the hearing-impaired and enhances speech intelligibility and sound quality for everyone!

The ConnectStation

The versatile core of the system

The ConnectStation is a WiFi-based multi-channel audio transmission system for mobile devices. The system can be used wherever audio is transmitted. The ConnectStation and the free MobileConnect app accomplish the prerequisites for assistive listening at lectures, speeches, presentations and events.



Smartphones und Tablets



Smartglasses

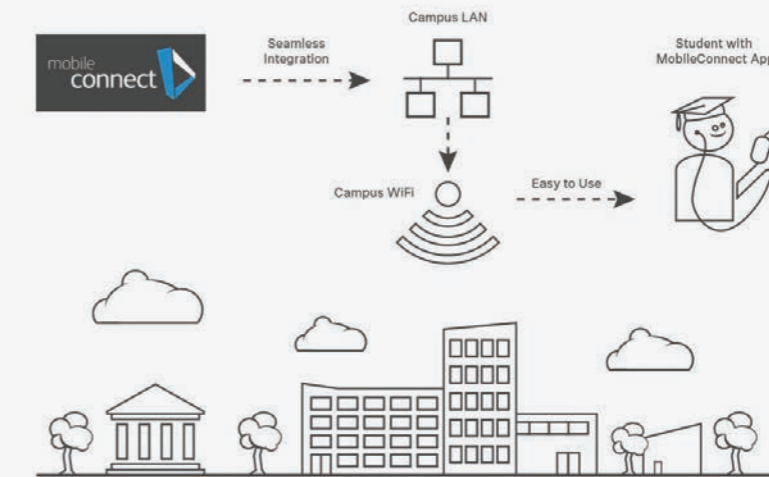


Cinema Server



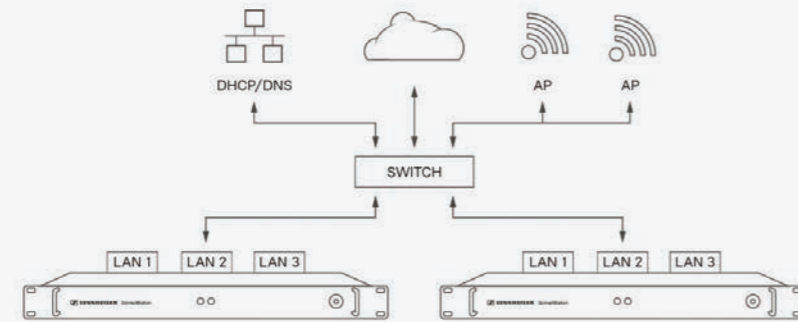
Audio Input

Benefits



Seamless network integration

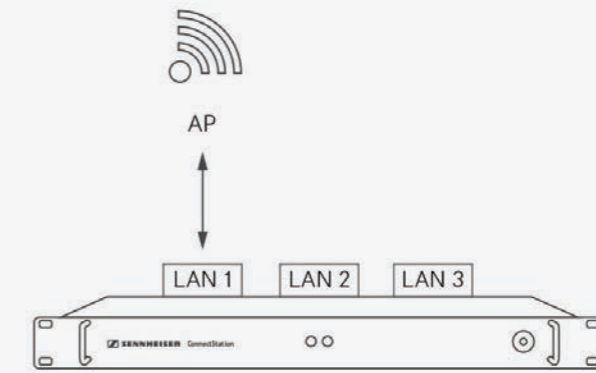
MobileConnect meets the technological requirements of today. It easily integrates into any existing network and audio infrastructure. The system is fully interoperable and no proprietary solution is needed.



Integration Mode

Integrated Mode makes it possible to integrate MobileConnect into your existing WiFi network infrastructures. In Integrated Mode, the operation of up to 10 ConnectStations per network is possible.

- Connect and manage up to 10 ConnectStation in one network.
- 4 channels per ConnectStation.
- 100 clients per ConnectStation.



Standalone Mode

Standalone Mode is the right choice if there is no need to integrate the ConnectStation into an existing WiFi infrastructure. In Standalone Mode, range extension is achieved through the operation of up to 8 Access Points.

- Range extension: Connect and manage up to 8 access points to increase the WiFi coverage.
- WiFi encryption is manageable via the ConnectStation's admin interface.



MobileConnect App

Available for iOS/Android – and for free. The MobileConnect App is easy to use and convenient for everyone. It is fully compatible with iOS and Android accessibility modes where visual impairment support is required. Its advanced Personal Hearing Assistant is based on technologies by Fraunhofer Institute IDMT and allows for individual audio adjustments via a simple and intuitive touchscreen user interface.





The Future of Audio