



RRWAD

3 1/2" Inch Optional
Caster Kit with Brakes
on Two Wheels



Rugged Road Ready Features

- * Beefy 3 1/2" Industrial Casters
- * Premium 3/8" Plywood

The RRWAD, our heavy Duty Caster Kit is built to hold up to pressure! Beefy 3 1/2" Casters with integral locking brakes doubled with a thick premium grade plywood base provide all the mobility you'll need for any Road Ready AMP Rack System. The RRWAD raises the height of your rack system by 5 1/4". Mobility made easy.

Product Dimensions

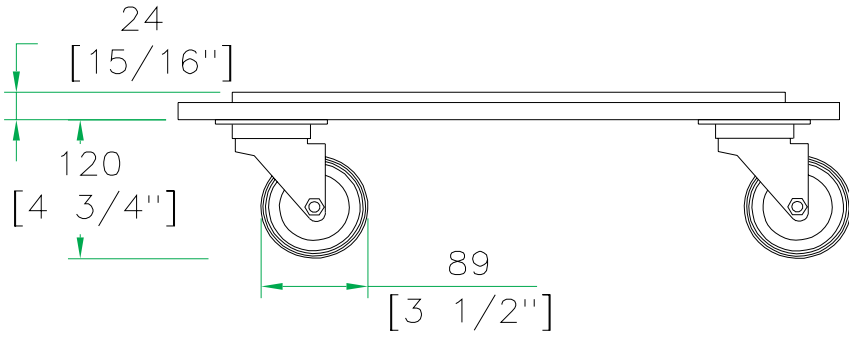
- Shipping Dimensions (inch): 24.4 x 21 x 6.6
- Shipping Weight (lbs): 16
- Product Dimensions (inch): 23.7 x 20.4 x 5.9
- Product Weight (lbs): 15
- Shipping Dimensions (cm) 62 x 53.5 x 17
- Shipping Weight (kg): 7.3
- Product Dimensions (cm): 60.3 x 52 x 15.1
- Product Weight (kg): 6.8

Road Ready Cases

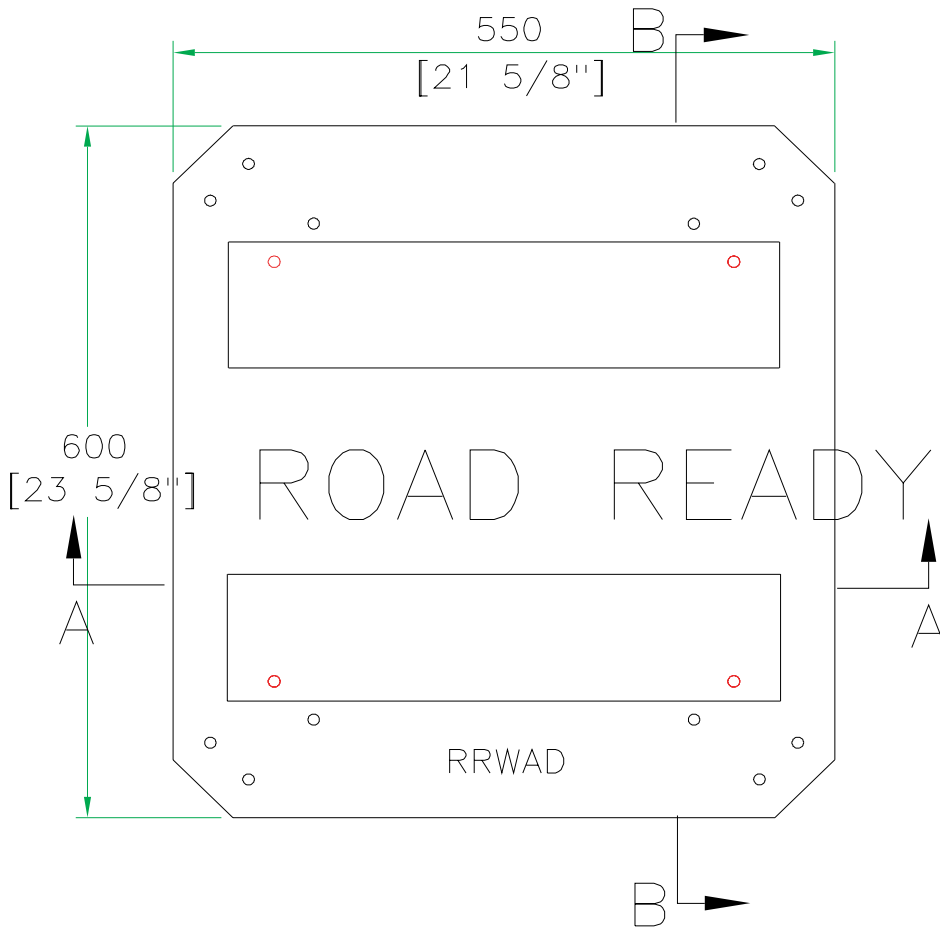
1226 Corral Place * Santa Fe Springs, CA 90670
ph: 562.906.6185 * fax: 562.906.6186

WWW.ROADREADYCASES.COM

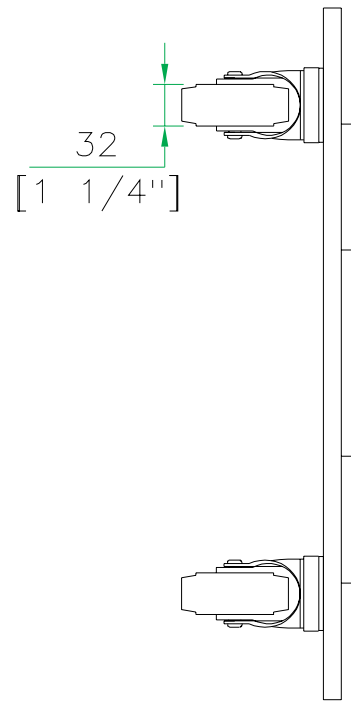
RRWAD



A—A VIEW



TOP VIEW



B—B VIEW