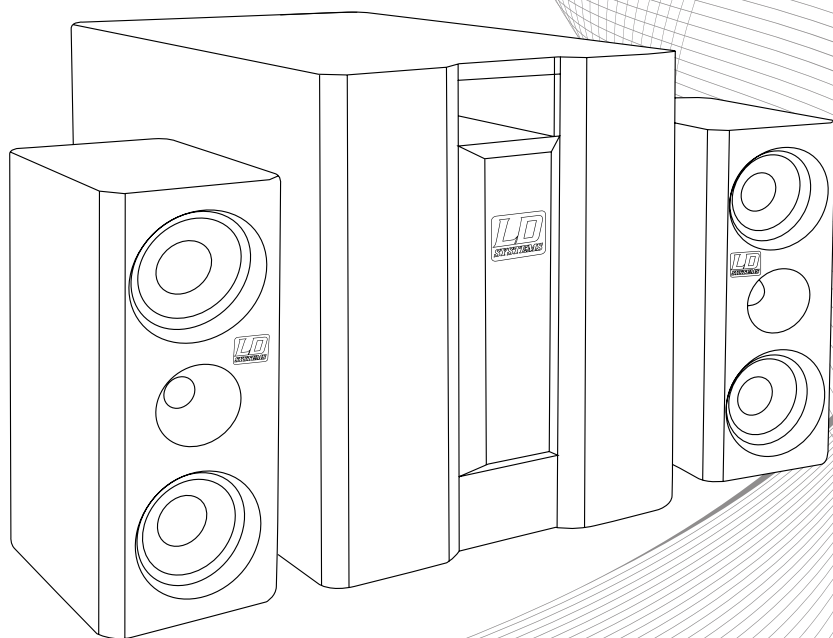


USER'S MANUAL  
BEDIENUNGSANLEITUNG  
MANUEL D'UTILISATION  
MANUAL DE USUARIO  
INSTRUKCJA OBSŁUGI



# LD DAVE 8XS

PORTABLE 8" **MULTIMEDIA SYSTEM** ACTIVE



ENGLISH

DEUTSCH

FRANCAIS

ESPAÑOL

POLSKI

## Thank you for choosing LD-Systems!

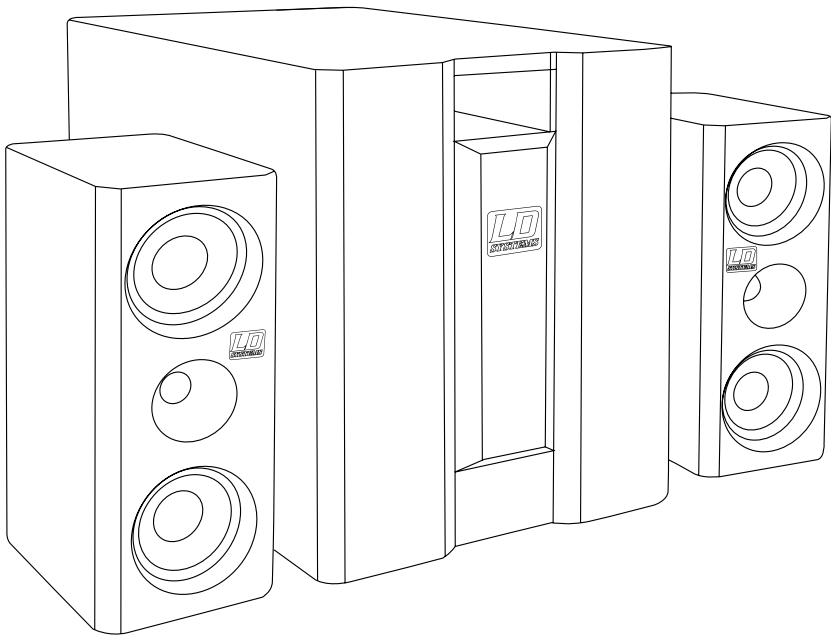
We have designed this product to operate reliably over many years. Therefore LD-Systems guarantees for high quality products with its name and many years of experience as a producer.

Please, take a few moments to read these instructions carefully, as we want you to enjoy your new LD-Systems products quickly and to the fullest.

For information about LD-Systems check out our website [WWW.LD-SYSTEMS.COM](http://WWW.LD-SYSTEMS.COM)

# LD **DAVE** 8XS

PORTABLE 8" **MULTIMEDIA SYSTEM** ACTIVE



ENGLISH

DEUTSCH

FRANCAIS

ESPAÑOL

POLSKI

## PREVENTIVE MEASURES:

1. Please read the attached safety instructions as well as the following instructions carefully.
2. Please keep all the instructions.
3. Please use the device only as intended.
4. Please respect the valid waste management rules. Please deliver the packaging divided into plastic and paper/ cardboard to the recycling management.
5. Please refer all servicing to qualified personnel only if the device is damaged, exposed to liquid/rain or if it does not operate normally.
6. Please, do not expose to any kind of heat such as ovens, radiators, or any other devices (incl. amplifiers). Please check for enough distance between amplifiers and walls, racks, etc. to prevent overheating.
7. After connection please check the wiring to prevent any kind of accident or damage.  
Please never use any kind of damaged cable and wiring.
8. Only use authorized and stable stands, brackets, shelves, tables etc.. for installations. Please check for adequate stability against collapse.
9. Please check operating voltage before connecting. Wrong voltage will damage your device.



### CAUTION:

To reduce the risk of electric shock, do not remove cover (or back). No user serviceable parts inside. Refer servicing to qualified personnel.



The lightning flash with arrowhead symbol within an equilateral triangle is intended to alert the user to the presence of uninsulated "dangerous voltage" within the product's enclosure that may be of sufficient magnitude to constitute a risk to persons.



The exclamation mark within an equilateral triangle is intended to alert the user to the presence of important operating and maintenance (servicing) instructions in the literature accompanying the appliance.

### CAUTION! HIGH VOLUME!

You will operate this system for professional use. Therefore the commercial use of this equipment is liable to the rules and regulations of the Accident Prevention & Insurance Association of your industry sector. Adam Hall as a manufacturer is bound to inform you formally about the existence of eventual sanitary risks.

These speakers are able to induce high acoustic sound pressure levels. 85 db is by law the maximum audio pressure level which your ear can be exposed to during a work day. It was set according to the technical expertise of the occupational medicine as a basis for the noise rating level. Higher sound levels or longer exposition times could damage your ear. The time of exposition by higher sound pressure levels should be shortened in order to prevent from ear damages. Here are a few reliable warning signals which show that you have exposed yourself for a too long period to excessive sound pressure levels:

- You hear bell- or whistling sounds!
- You have the impression that you can't hear high tones anymore!

## INSTALLATION & OPERATING:

ENGLISH

DEUTSCH

FRANCAIS

ESPAÑOL

POLSKI

### TRANSPORT AND INSTALLATION

The powered system LD DAVE 8XS is a very compact system and it can be easily moved. During operation the system must be placed on to the rubber feet. Please do never operate the items standing on any kind of transportation board. Otherwise the system can be moved uncontrolled. This may cause accidents or damaging. The integrated amplifier is mounted at the side of the subwoofer.

Please check for enough distance (min. 50 cm) between amplifier and objects like walls, racks etc. to ensure sufficient heat exchange and prevent overheating. Please take care for a accurate wiring for the power wiring as for the speaker / input wiring.

Please use only undamaged cables of an adequate size (min. 2 x 1.5 mm<sup>2</sup> for speaker connection) as well as only completely unrolled cable reels.

Please check the wiring for any kind of trip hazard etc. to prevent any kind of accident or damage (Gaffa-Tape). Please do not install the items directly beside a border. Do not place the subwoofer on a desk.

It is recommended to switch the system to ON as the last one and to OFF as the first one to prevent start-up noise caused by a connected devices like mixer etc..

### SATELLITES

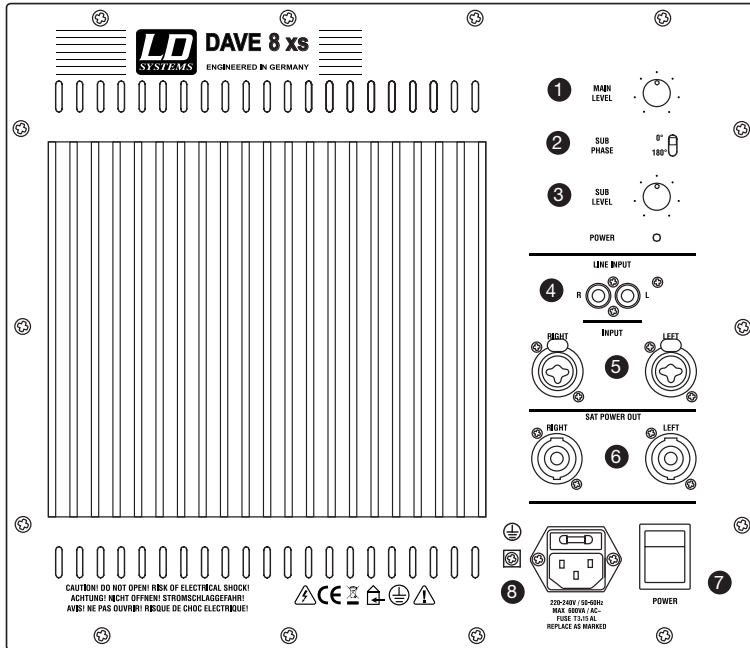
The satellites of the LD DAVE 8XS system can be placed on a stabile microphone stand with 3/8" thread (the satellites are equipped with an 3/8" flange in the bottom) or on a stable speaker stand (SKDB039 for example). Also there are 2 M6 threads (distance 59 mm) in the backside of the satellites to mount a speaker wall mounting bracket (SPSG3B for example).

### OPERATING

The main level of the LD DAVE 8XS amplifier can be adjusted as well as the subwoofer level can be adjusted to the main level. The final main level should be adjusted at the source device (mixer etc.). The available connectors are an asymmetrical input (RCA) and a symmetrical input (XLR / 6.3 mm jack). Please do NEVER use both inputs simultaneously! This may cause a damaging of the connected devices!

The Connection and operating elements of LD DAVE 8XS are shown on the next page.

# CONNECTION & OPERATING ELEMENTS:



## 1 MAIN LEVEL ADJUST

Preset of the main level of the system - subwoofer will be adjusted too, corresponding the preset of the SUB LEVEL.

## 2 SUB PHASE

Phase inversion switch to invert the Phase of the Subwoofer (0° / 180°) if necessary due to an difficult installation.

## 3 SUB LEVEL ADJUST

Preset subwoofer level proportionally to the satellite level. We recommend at the standard setting 12:00 o'clock level.

## 4 INPUT RCA (LEFT / RIGHT)

Asymmetrical Line Input for RCA jack

## 5 INPUT XLR (LEFT / RIGHT)

Symmetrical Line Input for XLR connectors.

## 6 SPEAKER OUTPUT (LEFT / RIGHT)

Speakon® compatible speaker output. Minimum impedance speaker 4 ohms. Used pins are: 1+ / 1-.

## 7 POWER SWITCH

ON / OFF switch. Please switch connected devices to ON first and to OFF after switching the system.

## 8 POWER CONNECTION SEAT

Power connection seat 240 V (IEC power connector) and fuse seat. Replacement of fuse only if power connection is disconnected. If fuse blows repeatedly please contact authorized personnel for servicing.

## SPECIFICATIONS:

ENGLISH

DEUTSCH

FRANCAIS

ESPAÑOL

POLSKI

<b>Model name:</b>	<b>LDDAVE8XS</b>
Subwoofer:	Band Pass
Satellites:	Sealed
Subwoofer Speaker:	8"
Satellites Speakers:	LF: 2 x 4" HF: 1"
Amplification:	Class A / B
Dispersion (°):	60 x 60
Power Output RMS (W):	Subwoofer: 150 Satellites: 2 x 100
Frequency Range (Hz):	45 - 19000
SPL 1 W / 1 m (dB):	96
Max SPL (dB):	117
Protection:	Short circuit, Over-current, Limiter
Controls:	Volume, Sub Level, 180 ° Phase Reverse, On / Off Switch
Connectors:	Subwoofer: Input: Line: XLR Jack 6,3 mm (Combo) , RCA Phono Output: SPKn: Powered output for DAVE8XS Satellites Satellites: Input: SPKn
Cooling system:	Heatsink
Power supply:	Transformer
Cabinet Material:	Subwoofer: 15 mm MDF / Satellites: 12 mm MDF
Cabinet / Surface:	Painting
Dimensions W x H x D (mm):	Subwoofer: 352 x 430 x 434 Satellites: 144 x 350 x 170
Since all our products are constantly controlled and improved, technical changes are possible without prior notice.	

## ACCESSORIES FOR TRANSPORT & INSTALLATION:

ENGLISH

DEUTSCH

FRANCAIS

ESPAÑOL

POLSKI



### STAND FOR SATELLITES

(Microphone stand)

Art. No. S22

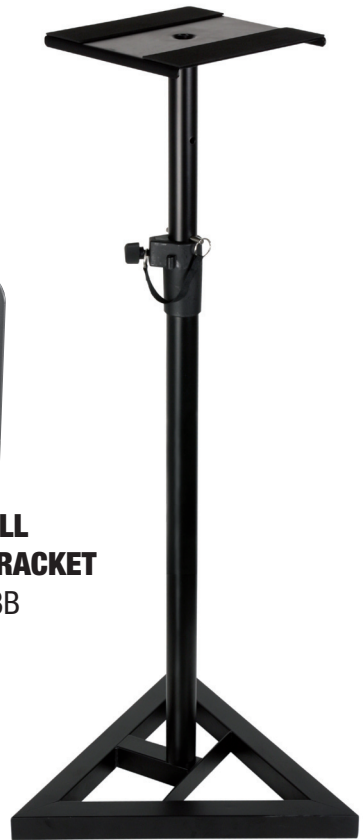


### SPEAKER WALL MOUNTING BRACKET

Art. No. SPSG3B

### SPEAKER STAND

Art. No. SKDB039





## MANUFACTURER'S DECLARATIONS:

### LIMITED WARRANTY

This Limited Warranty applies to the Adam Hall, LD Systems, Defender, Palmer and Eminence branded products.

The statutory warranty rights towards the seller are not affected by this guarantee. In fact, it justifies, additional independent warranty claims towards Adam Hall.

Adam Hall warrants that the Adam Hall product you have purchased from Adam Hall or from an Adam Hall authorized reseller is free from defects in materials or workmanship under normal use for a period of 2 or 5 years from the date of purchase.

The Limited Warranty Period starts on the date of purchase. In order to receive warranty services you are required to provide proof of the purchase date. Your dated sales or delivery receipt, showing the date of purchase, is your proof of the purchase date. Should products of the brands named above be in need of repair within the limited warranty period, you are entitled to warranty services according to the terms and conditions stated in this document.

This Limited Warranty extends only to the original purchaser of this Adam Hall branded product and is not transferable to anyone who obtains ownership of the Adam Hall branded product from the original purchaser. During the Limited Warranty Period, Adam Hall will repair or replace the defective component parts or the product. All component parts or hardware products removed under this Limited Warranty become the property of Adam Hall.

In the unlikely event that your Adam Hall product has a recurring failure, Adam Hall, at its discretion, may elect to provide you with a replacement unit of Adam Hall's choice that is at least equivalent to your Adam Hall branded product in hardware performance.

Adam Hall does not warrant that the operation of this product will be uninterrupted or error-free. Adam Hall is not responsible for damage that occurs as a result of your failure to follow the instructions included with the Adam Hall branded product.

#### **This Limited Warranty does not apply:**

- to wear parts (e.g. accumulator)
- to any product from which the serial number has been removed or that has been damaged or rendered defective as the result of an accident
- in case of, misuse, abuse, or other external causes
- by operation outside the usage parameters stated in the user's documentation shipped with the product
- by use of spare parts not manufactured or sold by Adam Hall
- by modification or service by anyone other than Adam Hall

These terms and conditions constitute the complete and exclusive warranty agreement between you and Adam Hall regarding the Adam Hall branded product you have purchased.



## MANUFACTURER'S DECLARATIONS:

### LIMITATION OF LIABILITY

If your Adam Hall branded hardware product fails to work as warranted above, your sole and exclusive remedy shall be repair or replacement. Adam Halls' maximum liability under this limited warranty is expressly limited to the lesser of the price you have paid for the product or the cost of repair or replacement of any hardware components that malfunction in conditions of normal use.

Adam Hall is not liable for any damages caused by the product or the failure of the product, including any lost profits or savings or special, incidental, or consequential damages. Adam Hall is not liable for any claim made by a third party or made by you for a third party.

This limitation of liability applies whether damages are sought, or claims are made, under this Limited Warranty or as a tort claim (including negligence and strict product liability), a contract claim, or any other claim. This limitation of liability cannot be waived or amended by any person. This limitation of liability will be effective even if you have advised Adam Hall of an authorized representative of Adam Hall of the possibility of any such damages. This limitation of liability however, will not apply to claims for personal injury.

This Limited Warranty gives you specific legal rights. You may also have other rights that may vary from state to state or from country to country. You are advised to consult applicable state or country laws for a full determination of your rights.

### REQUESTING WARRANTY-SERVICE

To request warranty service for the product, contact Adam Hall or the Adam Hall authorized reseller from which you purchased the product.

### EG-DECLARATION OF CONFIRMITY

These products meet the essential requirements as well as the further standards of the EU Directives 199/5/EU, 89/336/EU.

### CORRECT DISPOSAL OF THIS PRODUCT (ELECTRICAL WASTE)

(Applicable in the European Union and other European countries with separate collection systems)



This marking shown on the product or its literature, indicates that it should not be disposed with other household wastes at the end of its working life. To prevent possible harm to the environment or human health from uncontrolled waste disposal, please separate this from other types of wastes and recycle it responsibly to promote the sustainable reuse of material resources.

Household users should contact either the retailer where they purchased this product, or their local government office, for details on where and how they can recycle this item in an environmentally friendly manner.

Business users should contact their supplier and check the terms and conditions of the purchase contract. This product should not be mixed with other commercial wastes for disposal.

## MANUFACTURER'S DECLARATIONS:

### WEEE-DECLARATION



Your LD-Systems product was developed and manufactured with high quality materials and components which can be recycled and/or reused. This symbol indicates that electrical and electronic equipment must be disposed of separately from normal waste at the end of its operational lifetime.

Please dispose of this product by bringing it to your local collection point or recycling centre for such equipment. This will help to protect the environment in which we all live.

### BATTERIES AND ACCUMULATORS



The supplied batteries or rechargeable batteries can be recycled. Please dispose of them as special waste or return them to your specialist dealer. In order to protect the environment, only dispose exhausted batteries.

ENGLISH

DEUTSCH

FRANCAIS

ESPAÑOL

POLSKI

Adam Hall GmbH, all rights reserved. The technical data and the functional product characteristics can be subject to modifications. The photocopying, the translation, and all other forms of copying of fragments or of the integrality of this user's manual is prohibited.



ENGLISH

DEUTSCH

FRANCAIS

ESPAÑOL

POLSKI

## Sie haben die richtige Wahl getroffen!

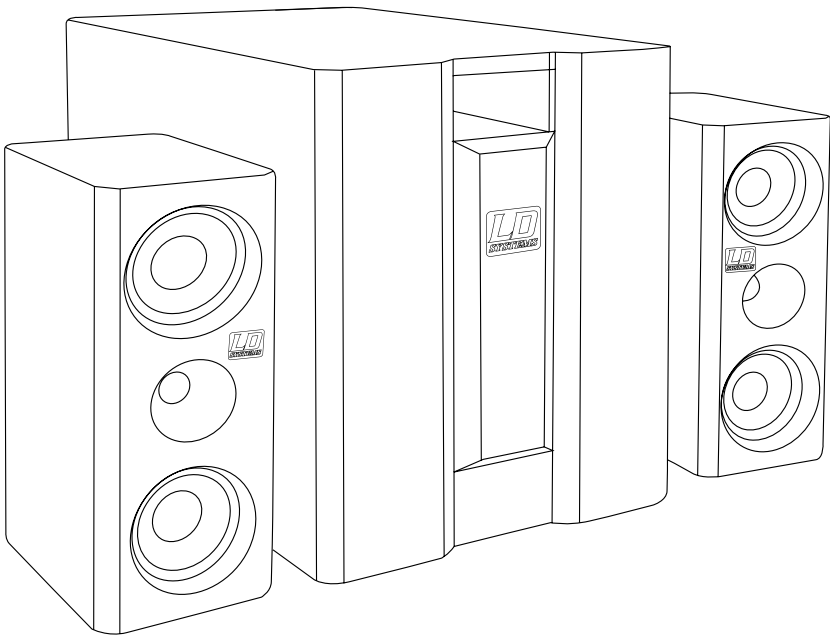
Diese LD-Systems Produkte werden Sie lange Jahre durch Zuverlässigkeit, Wirtschaftlichkeit und einfaches Handling überzeugen. Dafür garantiert LD-Systems mit seinem Namen und seiner in vielen Jahren erworbenen Kompetenz als Hersteller hochwertiger Geräte.

Nehmen Sie sich nun ein paar Minuten Zeit, diese Anleitung zu lesen. Wir möchten, dass Sie einfach und schnell in den Genuss dieser Technik kommen.

Mehr Informationen zu LD-SYSTEMS finden Sie auf unserer Internetseite [WWW.LD-SYSTEMS.COM](http://WWW.LD-SYSTEMS.COM)

# LD DAVE 8XS

KOMPAKTES 8" MULTIMEDIA SYSTEM AKTIV



ENGLISH

DEUTSCH

FRANCAIS

ESPAÑOL

POLSKI

## VORSICHTSMASSNAHMEN:

1. Bitte beachten Sie die Sicherheitshinweise und studieren Sie diese Anleitung sorgfältig.
2. Bewahren Sie alle Hinweise und Anleitungen sicher auf.
3. Verwenden Sie das Gerät nur in der vorgesehenen Art und Weise.
4. Beachten Sie die in Ihrem Land geltenden Entsorgungsgesetze. Trennen Sie bei der Entsorgung bitte Plastik und Papier bzw. Kartonagen von einander.
5. Sollte Ihr Gerät nicht mehr ordnungsgemäß funktionieren, Flüssigkeiten ausgesetzt worden oder auf sonstige Art und Weise beschädigt sein, überlassen Sie bitte jegliche Reparaturen ausschließlich autorisiertem Fachpersonal.
6. Halten Sie das Gerät von Hitzequellen wie z.B. Ofen, Heizkörper, oder sonstige Quellen (auch Verstärker) fern. Sorgen Sie dafür dass das Gerät immer so installiert ist, dass es ausreichend gekühlt wird und nicht überhitzt.
7. Überprüfen Sie alle Verbindungen nach dem Sie das Gerät angeschlossen haben, um Schäden oder Unfälle zu vermeiden.
8. Verwenden Sie ausschließlich stabile und passende Stative bzw. Befestigungen, wenn das Gerät fest installiert wird. Stellen Sie sicher, dass das Gerät sicher installiert ist und nicht herunterfallen kann.



### ACHTUNG:

Entfernen Sie niemals die Abdeckung, da sonst die Gefahr eines elektrischen Schocks besteht. Im Inneren des Gerätes befinden sich keine Teile, die vom Bediener gewartet oder repariert werden können. Lassen Sie Reparaturen ausschließlich von qualifiziertem Servicepersonal durchführen.



Dieses Symbol warnt vor nichtisolierten, gefährlichen Spannungen im Geräteinneren, die einen gefährlichen Schlag verursachen können.



Dieses Symbol kennzeichnet wichtige Bedienungs- und Wartungshinweise.

Vorsicht! Hohe Lautstärke!

Diese Übertragungsanlage wird von Ihnen professionell eingesetzt. Daher unterliegt der Gebrauch bei gewerblicher Nutzung den Regeln und Vorschriften der zuständigen Berufsgenossenschaft. Adam Hall als Hersteller ist daher verpflichtet, Sie auf möglicherweise bestehende gesundheitliche Risiken ausdrücklich hinzuweisen.

Mit diesen Lautsprechern können hohe Schalldrücke erzeugt werden. 85db ist der Schalldruck, der laut Gesetz als maximal zulässiger Wert über die Dauer eines Arbeitstages auf Ihr Gehör einwirken darf. Er wird nach den Erkenntnissen der Arbeitsmedizin als Beurteilungspegel zu Grunde gelegt. Höhere Lautstärken oder längere Einwirkzeit können Ihr Gehör schädigen. Bei höheren Lautstärken muss die Hörzeit verkürzt werden, um eine Schädigung auszuschließen. Sichere Warnsignale dafür, dass Sie sich zu lange zu lautem Geräusch ausgesetzt haben, sind:

- Sie hören Klingel- oder Pfeifgeräusche in den Ohren!
- Sie haben den Eindruck, hohe Töne nicht mehr wahrzunehmen!

## AUFSTELLUNG, ANSCHLUSS UND **INBETRIEBNAHME**:

### **TRANSPORT UND AUFSTELLUNG**

Das Aktivsystem LD DAVE 8XS ist sehr kompakt und kann leicht transportiert werden. Zum Betrieb muss der Subwoofer auf die GummifüÙe gestellt werden. Bitte nehmen Sie das System **NIE** auf einem Transportwagen stehend in Betrieb! Es besteht die Gefahr einer unkontrollierten Bewegung des ganzen Gerätes. Dieses kann zu Unfällen und Beschädigungen führen. Der Kühlkörper des Verstärkers befindet sich seitlich am Subwoofer. Bitte achten Sie darauf, dass dieser Kühlkörper beim Betrieb des Verstärkers einen Mindestabstand von 50 cm zu anderen Gegenständen, Wänden, etc. hat, um einen ausreichenden Wärmeaustausch zu ermöglichen.

Bitte achten Sie auf einwandfreie Verkabelung sowohl der Stromzufuhr als auch der angeschlossenen Lautsprecher, Zuspelgeräte, Mixer, CD-Spieler usw. Verwenden Sie nur unbeschädigte Kabel mit ausreichendem Querschnitt (mindestens 2 x 1.5 mm<sup>2</sup> für die Lautsprecher) sowie nur vollständig abgewickelte Kabelrollen. Verlegen Sie die Kabel so, dass keine Stolperfallen entstehen können (Gaffa-Tape).

Das Gerät sollte nie direkt an eine Kante gestellt werden. Bitte stellen Sie den Subwoofer auch nicht auf einen Tisch.

Es empfiehlt sich, das Gerät immer als letztes ein- sowie als erstes auszuschalten, um laute Ein- und Ausschaltknackser durch die angeschlossenen Geräte zu vermeiden.

### **SATELLITEN**

Die Satelliten des LD DAVE 8XS Systems können auf stabile Mikrofonständer mit 3/8" Gewinde (dazu verfügen die Satelliten über einen 3/8" Schraubflansch im Boden) oder auf stabile Boxenständer (z.B. SKDB039) gestellt werden.

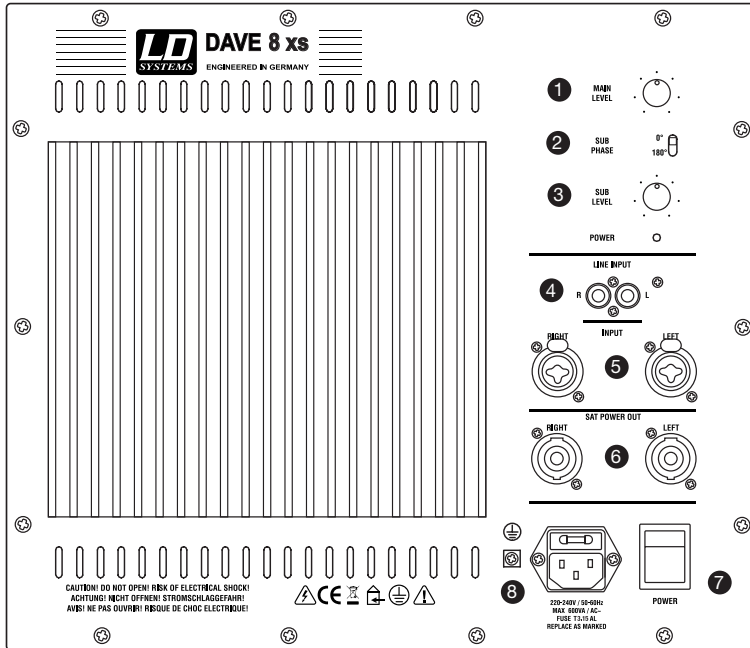
Ausserdem ist der Satellit mit 2 M6-Gewinden (Abstand 59 mm) auf der Rückseite zur Montage von einem Wandhalter (z.B. SPSG3B) versehen.

### **ANSCHLUSS UND BEDIENUNG**

Es kann sowohl der Gesamtpegel des Systems als der Pegel des Subwoofers relativ zum Gesamtpegel eingestellt werden. Die endgültige Einstellung des Pegels erfolgt dann über das Zuspelgerät. Die Anschlüsse erlauben sowohl eine asymmetrische Verbindung (Cinch) als auch eine symmetrische Verbindung (XLR / Klinke 6.3 mm) zu einem Zuspelgerät. Bitte verwenden Sie **NIE** beide Anschlüsse gleichzeitig! Dieses kann Schäden an den angeschlossenen Geräten verursachen.

Die Position der Anschlüsse und Bedienelemente des LD DAVE 8XS sind auf der nächsten Seite dargestellt.

# ANSCHLUSS & BEDIENELEMENTE:



CAUTION! DO NOT OPEN! RISK OF ELECTRICAL SHOCK!  
 ACHTUNG! NICHT OFFNEN! STROMSCHLAGGEFAHR!  
 AVERTI! NE PAS OUVRIRE! RISQUE DE CHOC ELECTRIQUE!



200-240V / 50-60Hz  
 MAX. 800VA / AC-  
 FUSE 15/16A  
 REPLACE AS MARKED

POWER

## 1 MAIN LEVEL ADJUST

Voreinstellung der Gesamtlautstärke - der Subwoofer wird entsprechend der Voreinstellung am SUB LEVEL mitgeregelt.

## 2 SUB PHASE

Phasenumkehrschalter zur Anpassung der Phasenlage Woofers (0° / 180°) an die Satelliten bei ungünstiger Aufstellung.

## 3 SUB LEVEL ADJUST

Voreinstellung des Subwooferpegels im Verhältnis zu den Satelliten. Wir empfehlen eine Grundeinstellung von 12:00 Uhr.

## 4 INPUT RCA (LEFT / RIGHT)

Asymmetrischer Line Eingang für Cinch-Stecker

## 5 INPUT XLR (LEFT / RIGHT)

Symmetrischer Line Eingang für XLR-Stecker

## 6 SPEAKER OUTPUT (LEFT / RIGHT)

Speakon® kompatibler Lautsprecherausgang. Mindestimpedanz 4 Ohm. Belegt sind die Anschlüsse 1+ / 1-.

## 7 POWER SWITCH

Ein / Ausschalter. Angeschlossene Geräte wie Mischpulte etc. vor dem Aktivsystem einschalten und nach dem Aktivsystem ausschalten.

## 8 POWER CONNECTION SEAT

Anschlussbuchse 240 V (Kaltgerätestecker) und Sicherungshalter. Die Sicherung nur bei gezogenem Netzstecker auswechseln. Brennt die Sicherung wiederholt durch, muss das Gerät durch einen Fachbetrieb geprüft werden.



## SPEZIFIKATIONEN:

ENGLISH

DEUTSCH

FRANCAIS

ESPAÑOL

POLSKI

<b>Model name:</b>	<b>LDDAVE8XS</b>
Subwoofer:	Band Pass
Satellites :	Sealed
Subwoofer Speakers:	8"
Satellites Speakers:	LF: 2 x 4" HF: 1"
Amplification:	Class A / B
Dispersion (°):	60 x 60
Power Output RMS (W):	Subwoofer: 150 Satellites: 2 x 100
Frequency Range (Hz):	45 - 19000
SPL 1 W / 1 m (dB):	96
Max SPL (dB):	117
Protection:	Short circuit, Over-current, Limiter
Controls:	Volume, Sub Level, 180 ° Phase Reverse, On / Off Switch
Connectors:	Subwoofer: Input: Line: XLR Jack 6,3 mm (Combo), RCA Phono Output: SPKn: Powered output for DAVE8XS Satellites Satellites: Input: SPKn
Cooling system:	Heatsink
Power supply:	Transformer
Cabinet Material:	Subwoofer: 15 mm MDF / Satellites: 12 mm MDF
Cabinet / Surface:	Painting
Dimensions W x H x D (mm):	Subwoofer: 352 x 430 x 434 Satellites: 144 x 350 x 170
<p>Unsere Produkte unterliegen einem kontinuierlichen Prozess der Entwicklung und Verbesserung. Daher bleiben Änderungen technischer Eigenschaften ohne Weiteres vorbehalten.</p>	

## ZUBEHÖR FÜR TRANSPORT UND AUFSTELLUNG:

ENGLISH

DEUTSCH

FRANCAIS

ESPAÑOL

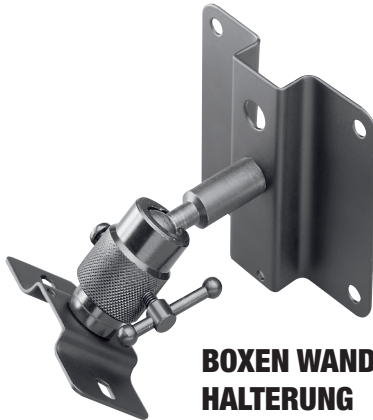
POLSKI



### STÄNDER FÜR SATELLITEN

(Mikrofonständer)

Art. Nr. S22

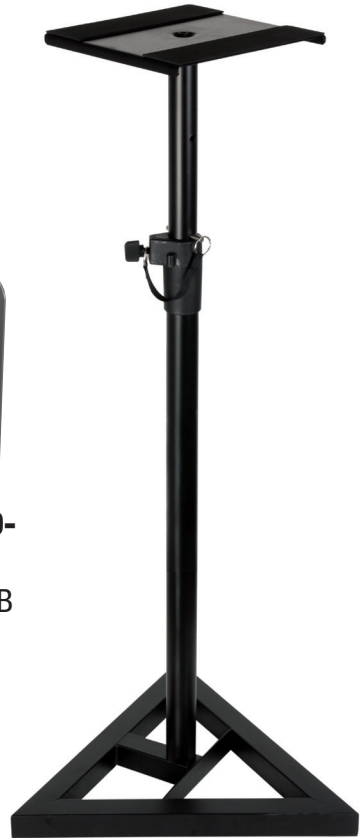


### BOXEN WAND- HALTERUNG

Art. Nr. SPSP3B

### BOXENSTÄNDER

Art. Nr. SKDB039



### GARANTIEBESTIMMUNGEN

Diese Garantie erstreckt sich auf die Marken Adam Hall, LD Systems, Defender, Palmer und Eminence.

Die gesetzlichen Gewährleistungsrechte gegenüber dem Verkäufer werden von dieser Garantie nicht berührt. Vielmehr begründet diese Garantie zusätzliche selbständige Ansprüche gegenüber Adam Hall.

Mit dieser Garantie stellt Adam Hall sicher, dass das von Ihnen bei Adam Hall oder einem Adam Hall Partner erworbene Produkt bei normalem Gebrauch während des Zeitraums von 2 bzw. 3 Jahren ab Kaufdatum frei von Material- oder Verarbeitungsfehlern ist.

Der Garantiezeitraum beginnt mit dem Datum des Kaufs.

Der Geltendmachung eines Anspruchs auf Garantieleistungen erforderliche Nachweis des Kaufdatums, erfolgt durch die mit dem Kaufdatum versehene Quittung oder den mit dem Kaufdatum versehenen Lieferschein. Sie haben Anspruch auf den Garantieservice zu den in diesem Dokument aufgeführten Bedingungen und Bestimmungen, falls eine Reparatur der unter den oben genannten Marken vertriebenen Produkte innerhalb des Garantiezeitraums erforderlich ist.

Diese Garantie gilt nur für den ursprünglichen Käufer des von Adam Hall vertriebenen Produkts und ist nicht an Personen übertragbar, denen vom ursprünglichen Käufer das Eigentum am Adam Hall Produkt übertragen wird. Innerhalb des Garantiezeitraums werden die fehlerhaften Komponenten oder das Produkt von Adam Hall repariert oder ersetzt. Alle im Rahmen dieser Garantie entfernten Komponenten und Hardware-Produkte gehen in das Eigentum von Adam Hall über.

In dem unwahrscheinlichen Fall, dass bei dem von Ihnen erworbenen Adam Hall Produkt ein Fehler wiederholt auftritt, kann Adam Hall nach eigenem Ermessen entscheiden, Ihnen dieses Produkt durch ein vergleichbares Produkt mit mindestens derselben Leistung zu ersetzen.

Adam Hall übernimmt keine Garantie für einen störungs- oder fehlerfreien Betrieb dieses Produkts. Adam Hall übernimmt keine Verantwortung für auf eine inkorrekte Befolgung der im Lieferumfang des Adam Hall erhaltenen Anweisungen zurückzuführende Schäden.

Diese Garantie erstreckt sich nicht auf:

- Verschleißteile (z.B. Akkumulator).
- Geräte deren Seriennummer entfernt wurde oder die beschädigt oder fehlerhaft wurden als Folge eines Unfalls
- nicht sachgerechter oder missbräuchlicher Verwendung oder anderer missbräuchlicher Verwendung oder anderer äußerer Ursachen,
- Geräte die nicht entsprechend den Betriebsparametern betrieben wurden, die in den im Lieferumfang des Produkts enthaltenen Benutzerunterlagen festgelegt sind
- Geräte die aufgrund der Verwendung nicht von Adam Hall hergestellter oder vertriebener Teile repariert wurde
- Geräte die durch Änderung oder Wartung durch jemand anderen als Adam Hall getätigt wurde.

Diese Bestimmungen und Bedingungen stellen die vollständige und ausschließliche Garantievereinbarung zwischen Ihnen und Adam Hall für das von Ihnen erworbene Adam Hall Produkt dar.

## HAFTUNGSBESCHRÄNKUNG

Wenn das unter der Marke Adam Hall vertriebene Produkt nicht entsprechend der obigen Garantie funktioniert, besteht Ihr alleiniger und ausschließlicher Anspruch aus dieser Garantie in der Reparatur oder dem Ersatz. Weitergehende Gewährleistungsansprüche bleiben hiervon unberührt. Die maximale Haftung von Adam Hall im Rahmen dieser Garantie ist ausdrücklich beschränkt auf den jeweils niedrigeren Betrag, der sich entweder aus dem Kaufpreis für das Produkt oder aus den Reparatur- bzw. Ersatzkosten von Hardware-Komponenten, die bei normalem Gebrauch nicht Ordnungsgemäß funktionieren, ergibt.

Adam Hall haftet aus dieser Garantie nicht für durch das Produkt oder sein versagen verursachte Schäden, einschließlich entgangener Gewinne, unterbliebener Einsparungen oder besonderer, indirekter oder Folgeschäden. Adam Hall haftet zudem nicht für von Dritten oder von ihnen für Dritte geltend gemachte Ansprüche.

Diese Haftungsbeschränkung gilt unabhängig davon, ob Schäden gerichtlich verfolgt werden, ob Schadenersatzansprüche im Rahmen dieser Garantie oder aufgrund unerlaubter Handlungen (Einschließlich Fahrlässigkeit und Gefährdungshaftung) oder aufgrund vertraglicher bzw. sonstiger Ansprüche gestellt werden. Diese Haftungsbeschränkung kann von keiner Person aufgehoben oder ergänzt werden. Diese Haftungsbeschränkung gilt auch dann, wenn sie Adam Hall über die Möglichkeit derartiger Schäden informiert haben. Sie gilt jedoch nicht für Ansprüche aus Personenschäden.

Aus dieser Garantie ergeben sich für Sie bestimmte Rechte. Möglicherweise haben Sie weitere Rechte, die Ihnen von Staat zu Staat und von Land zu Land unterschiedlich sein können. Es ist ratsam, die entsprechenden Gesetze des Staates bzw. Landes heranzuziehen, um Ihre Rechte umfassend zu ermitteln.

## INANSPRUCHNAHME DES REPARATURSERVICE

Um den Garantieservice bzw. Reparaturservice für das Produkt in Anspruch zu nehmen, wenden Sie sich bitte an Adam Hall oder an einen Adam Hall Partner, bei dem Sie das Produkt erworben haben.

## EG-KONFORMITÄTSERKLÄRUNG

Diese Geräte entsprechen den grundlegenden Anforderungen und den weiteren Vorgaben der Richtlinien 1999/5/EU, 89/336/EU und 73/23/EU.

## KORREKTE ENTSORGUNG DIESES PRODUKTES

(Gültig in der Europäischen Union)



Dieses Symbol (entweder auf dem Gerät oder dem dazugehörigen Handbuch) weist darauf hin, dass das Gerät nicht mit dem normalen Hausmüll entsorgt werden darf. Um mögliche Schäden an der Umwelt und an Personen zu verhindern, entsorgen Sie dieses Gerät bitte fachgerecht bei einer entsprechenden Stelle für Elektromüll.

Als Privatkunde Informieren Sie sich bitte beim Hersteller oder bei Ihrer Gemeinde über die Möglichkeiten der korrekten Entsorgung.

Als Geschäftskunde kontaktieren Sie bitte Ihren Lieferanten und prüfen Sie die Konditionen zur Entsorgung der Geräte. Dieses Produkt sollte nicht mit anderem gewerblichen Abfall entsorgt werden.

## WEEE-DEKLARATION

Ihr LD-Systems Produkt wurde unter der Verwendung hochwertiger Materialien und Komponenten die wiederverwertet oder wieder verwendet werden können hergestellt. Dieses Symbol weist darauf hin, dass elektronische Geräte nicht im normalen Hausmüll entsorgt werden dürfen. Entsorgen Sie dieses Gerät bitte fachgerecht bei einer entsprechenden Stelle für Elektromüll und helfen Sie dabei unsere Umwelt zu schützen.

## BATTERIEN UND AKKUS

Die mitgelieferten Batterien können wiederverwertet werden. Werfen Sie die Batterien daher nicht in den normalen Hausmüll sondern in gesonderte dafür vorgesehene Container. Helfen Sie, unsere Umwelt sauber zu halten.

ENGLISH

DEUTSCH

FRANCAIS

ESPAÑOL

POLSKI

Adam Hall GmbH, alle Rechte vorbehalten. Änderungen der Technischen Daten und Produktmerkmale vorbehalten. Das Erstellen von Fotokopien, Übersetzungen und anderen Reproduktionen dieser Bedienungsanleitung oder Teilen derselben ohne vorherige Genehmigung ist untersagt.



ENGLISH

DEUTSCH

FRANCAIS

ESPAÑOL

POLSKI

## Merci d'avoir choisi LD-Systems !

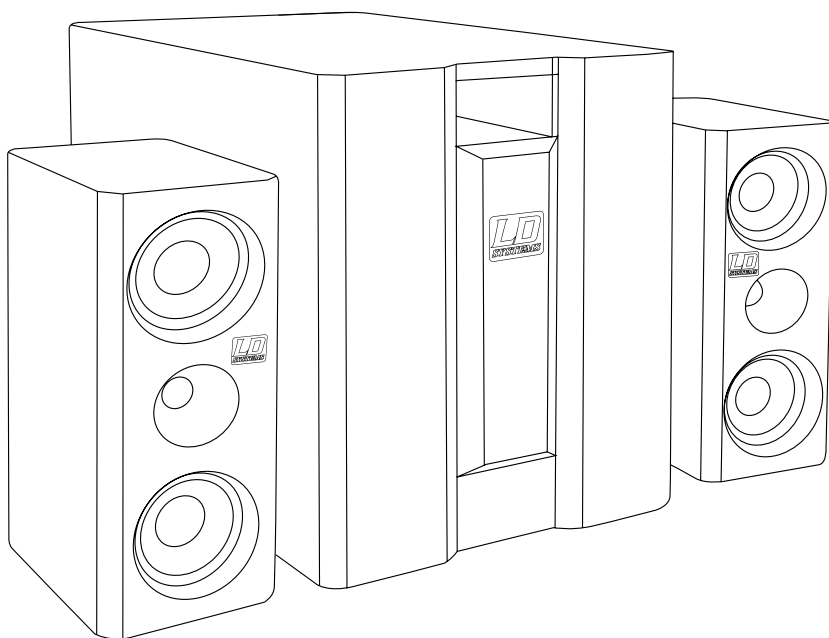
Nous avons conçu ce produit en vue d'une fiabilité optimale pendant des années. La marque LD-Systems est synonyme de produits de haute qualité, grâce à des années d'expérience dans le domaine de la fabrication.

Veuillez prendre quelques instants pour lire attentivement ces instructions - cela vous permettra d'utiliser plus rapidement et de façon optimale votre produit LD-Systems.

Pour plus d'informations à propos de LD-Systems, visitez notre site Web, [WWW.LD-SYSTEMS.COM](http://WWW.LD-SYSTEMS.COM)

# LD **DAVE** 8XS

SYSTÈME MULTIMÉDIA **ACTIF PORTABLE 8"**



ENGLISH

DEUTSCH

FRANCAIS

ESPAÑOL

POLSKI

## MESURES DE PRÉVENTION:

1. Veuillez lire attentivement les instructions de sécurité et les autres instructions.
2. Veuillez conserver toutes les instructions.
3. Veuillez utiliser l'appareil conformément à sa destination.
4. Veuillez respecter la législation en vigueur concernant la gestion des déchets. Veuillez séparer le plastique d'un côté, le carton de l'autre avant de gérer le recyclage des déchets.
5. Si l'appareil est endommagé, exposé à la pluie ou à un liquide ou s'il ne fonctionne pas normalement, veuillez le confier à un personnel qualifié pour réparation.
6. Veuillez ne pas exposer l'appareil à une source de chaleur, quelle qu'elle soit : four, radiateurs, autre appareil (amplificateur...). Veuillez à ménager une distance suffisante entre les amplificateurs et les murs, les racks, etc., afin d'éviter toute surchauffe.
7. Après branchement, veuillez vérifier les câblages, afin d'éviter tout accident ou dommage. N'utilisez jamais de câbles abîmés (secteur, audio, haut-parleur).
8. N'utilisez que des pieds, tables, supports ou étagères stables et prévus à cet usage pour l'installation. Vérifiez que la stabilité est suffisante, afin d'éviter tout risque de chute.
9. Vérifiez la valeur de la tension secteur avant de brancher l'appareil. Une tension mal adaptée endommagera votre appareil.



### ATTENTION :

Pour éviter tout risque d'électrocution, ne démontez pas le capot (ou le panneau arrière). L'appareil ne contient aucune pièce réparable par l'utilisateur. Veuillez confier la maintenance de l'appareil à un personnel qualifié.



Le pictogramme d'éclair, ou flèche dans un triangle équilatéral, est prévu pour alerter l'utilisateur de la présence d'une "tension dangereuse" non isolée à l'intérieur du coffret de l'appareil, tensions suffisamment élevée pour constituer un risque pour l'organisme humain.



Le point d'exclamation à l'intérieur d'un triangle équilatéral sert à attirer l'attention de l'utilisateur sur la présence d'instructions importante, relatives à l'utilisation ou à la maintenance, dans la brochure livrée avec l'appareil.

### ATTENTION! NIVEAUX SONORES ÉLEVÉS !

Cet appareil sera utilisé dans le cadre d'applications professionnelles. Par conséquent, son utilisation commerciale est soumise aux lois et aux réglementations en vigueur dans votre secteur d'activités. En tant que fabricant, Adam Hall est tenu de vous informer formellement de l'existence de certains risques sanitaires.



## INSTALLATION & UTILISATION :

ENGLISH

DEUTSCH

FRANCAIS

ESPAÑOL

POLSKI

### TRANSPORT ET INSTALLATION

Le système amplifié LD DAVE 8XS est très compact et se transporte facilement. En cours d'utilisation, le système devrait être placé sur ses pieds caoutchouc. Nous recommandons de ne pas utiliser d'éléments posés sur leur dispositif de transport. Le système risquerait alors de se trouver soumis à des déplacements non contrôlés, susceptibles de provoquer des accidents ou des dommages divers. Le module d'amplification intégré est monté sur le côté du caisson de graves.

Veillez à maintenir une distance minimale (au moins 50 cm) entre l'amplificateur et des objets tels que murs, racks, etc., afin d'assurer une circulation d'air suffisante, et d'éviter ainsi toute surchauffe. Veuillez vérifier le câblage d'alimentation secteur du système, ainsi que le branchement des enceintes (polarité).

N'utilisez que des câbles en bon état, de section suffisante (section 2 x 1,5 mm<sup>2</sup> au moins pour le branchement des enceintes), et veillez à dérouler complètement les câbles s'ils se trouvent bobinés sur des enrouleurs.

Vérifiez également les passages de câbles, afin d'éviter tout accident ou dommage (nous vous recommandons d'utiliser du ruban adhésif de type 'gaffer' pour fixer les câbles sur le sol).

Veillez ne pas installer d'élément à proximité immédiate d'un trou, afin d'éviter toute chute incontrôlée. Ne placez pas le caisson de graves sur une table.

Nous vous recommandons d'allumer le système (ON) une fois que tous les autres appareils externes connectés le sont, et de l'éteindre (OFF) avant eux, afin d'éviter tout bruit parasite dans les enceintes lors de ces deux phases.

### SATELLITES

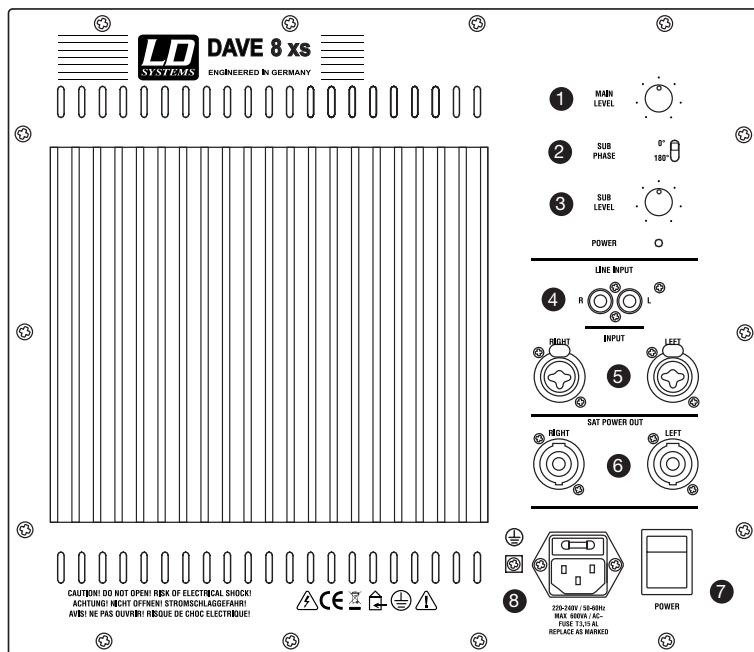
Les enceintes satellites du système LD DAVE 8XS peuvent être placées sur un pied de micro stable, grâce au filetage au pas 3/8<sup>e</sup> de pouce de leur base, ou sur un pied d'enceinte stable (par exemple, un SKDB039). Vous trouverez également deux filetages M6 (entr'axe 59 mm) sur les côtés des satellites, afin de les monter sur des dispositifs de fixation murale (par exemple, SPSG3B).

### UTILISATION

Le module d'amplification du DAVE8XS vous permet de régler le niveau global du système, mais aussi d'ajuster séparément le volume sonore du caisson de graves. Il convient ensuite d'affiner le niveau sonore final à la source (console, etc.) Le module d'amplification est équipé de deux types de connecteurs d'entrée au niveau ligne : RCA (cinch) asymétriques et XLR (symétriques). ATTENTION : N'UTILISEZ JAMAIS les deux entrées simultanément ! Vous risqueriez d'endommager les appareils externes connectés.

Les connecteurs et réglages du système DAVE8XS sont visualisés page suivante.

# CONNEXION & ELEMENTS DE CONTROLE:



## 1 POTENTIOMETRE MAIN LEVEL

Sert à régler le niveau sonore global du système (caisson de graves compris).

## 2 SELECTEUR SUB PHASE

Ce sélecteur permet d'inverser la polarité du signal du caisson de graves (0° / 180°).

## 3 POTENTIOMETRE SUB LEVEL

Permet d'ajuster le volume du caisson de graves, indépendamment de celui des enceintes satellites. En guise de réglage de départ, nous recommandons de placer le potentiomètre SUB LEVEL en position médiane (midi).

## 4 ENTREES RCA (LEFT / RIGHT)

Entrée ligne asymétrique sur connecteurs RCA

## 5 ENTREES XLR (LEFT / RIGHT)

Entrée ligne symétrique sur connecteurs XLR

## 6 SORTIE SPEAKER (LEFT / RIGHT)

Sorties enceintes compatibles Speakon®. Impédance minimale des enceintes : 4 Ohms. Points utilisés : 1+ / 1-.

## 7 INTERRUPTEUR POWER

Interrupteur ON / OFF. Nous vous recommandons d'allumer le système (ON) une fois que tous les autres appareils externes connectés le sont, et de l'éteindre (OFF) avant eux, afin d'éviter tout bruit parasite dans les enceintes lors de ces deux phases.

## 8 POWER CONNECTION SEAT

Embase pour connecteur secteur IEC, tension 240V, et porte-fusible ATTENTION : N'oubliez pas de débrancher le système du secteur avant de remplacer le fusible. Si le fusible fond de façon répétée, veuillez contacter un centre de S.A.V.

## CARACTÉRISTIQUES:

ENGLISH

DEUTSCH

FRANCAIS

ESPAÑOL

POLSKI

Référence:	LDDAVE8XS
Caisson de graves :	Passe-bande
Satellites :	Clos
Caisson de graves :	Boomer 8" (20 cm)
Satellites :	Boomers/médiums : 2 x 4" (10 cm) Tweeter : 1" (25 mm)
Module d'amplification :	Classe A/B
Angle de diffusion (°) :	60 x 60
Puissance de sortie efficace (W) :	Caisson de graves : 150 Satellites : 2 x 100
Bande passante (Hz) :	45 - 19000
Niveau de pression sonore nominale pour 1 W à 1 m (dB SPL) :	96
Niveau maximal de pression sonore (dB SPL) :	117
Contrôles :	Réglage de volume global, de niveau du caisson de graves, inversion de phase du caisson Interrupteur On / Off
Connecteurs :	Entrée caisson de graves : Niveau Ligne : XLR, RCA (cinch) Sorties caisson de graves : Sortie HP sur SPK <sub>n</sub> pour satellites passifs Entrées Satellites : SPK <sub>n</sub>
Refroidissement :	Radiateur
Alimentation :	Transformateur
Matériau coffrets :	Caisson de graves : MDF épaisseur 15 mm / Satellites : MDF épaisseur 12 mm
Finition:	Laque de structure
Dimensions (L x H x P) (mm) :	Caisson de graves : 352 x 430 x 434 Satellites : 144 x 350 x 170
Comme tous nos produits sont constamment contrôlés et améliorés, des modifications techniques sont possibles, sans préavis.	

## ACCESSOIRES POUR TRANSPORT ET INSTALLATION:

ENGLISH

DEUTSCH

FRANCAIS

ESPAÑOL

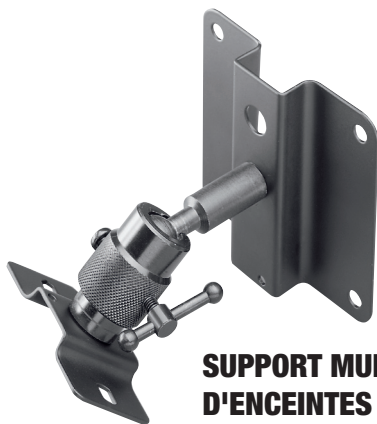
POLSKI



### PIED POUR ENCEINTES SATELLITES

(Pied de microphone)

Réf. Article : S22



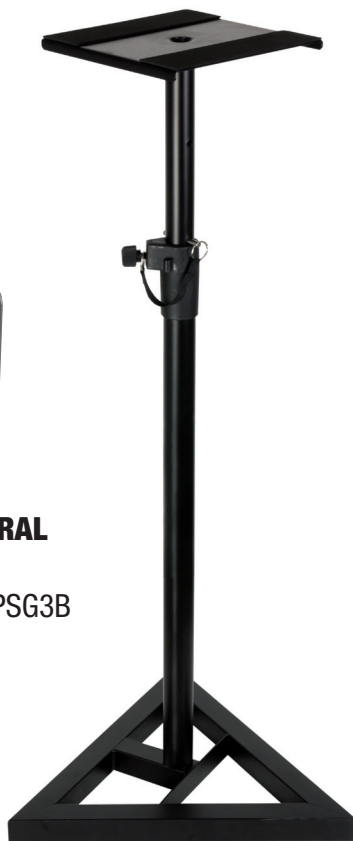
### SUPPORT MURAL D'ENCEINTES

Réf. Article : SPSG3B

### PIED D'ENCEINTE UNIVERSEL

Réf. Article :

SKDB039



## DECLARATIONS DU FABRICANT:

### GARANTIE LIMITEE

Cette garantie limitée est applicable aux produits de marque Adam Hall, LD Systems, Defender, Palmer et Eminence.

Elle ne concerne pas les droits statutaires relatifs à la garantie envers le vendeur. En fait, elle justifie des requêtes en garantie indépendantes supplémentaires envers Adam Hall.

Adam Hall garantit que le produit Adam Hall que vous avez acheté auprès d'Adam Hall ou d'un revendeur autorisé est dépourvu de défaut, au niveau des composants ou de la fabrication, pour une utilisation normale, sur une durée de 2 ou 5 ans à partir de la date d'achat.

La période de garantie limitée démarre à partir de la date d'achat. Pour accéder à des réparations sous garantie, vous devrez fournir la preuve de la date d'achat. Par exemple, une facture ou bon de livraison daté, mentionnant en clair la date d'achat. Au cas où les produits des marques citées ci-avant nécessiteraient une réparation pendant la période de garantie limitée, vous avez droit à des réparations sous garantie, conformément aux termes et conditions exposées dans ce document.

Cette garantie limitée n'est applicable qu'à l'acheteur original de ce produit de marque Adam Hall : elle n'est pas transmissible aux propriétaires ultérieurs de l'appareil. Pendant toute la période de garantie limitée, Adam Hall réparera ou remplacera les composants défectueux ou le produit lui-même. Tous les composants ou appareils défectueux remplacés sous garantie deviennent la propriété de Adam Hall.

Dans le cas improbable où votre produit Adam Hall connaîtrait des défaillances à répétition, Adam Hall, à sa discrétion, peut choisir de mettre à votre disposition un appareil de remplacement de son choix, au moins équivalent à votre produit de marque Adam Hall en termes de performances matérielles.

Adam Hall ne garantit pas que l'utilisation de ce produit ne sera soumise à aucune interruption ni erreur. Adam Hall n'est pas responsable des dommages occasionnés par le non-respect des instructions contenues dans le manuel d'utilisation livré avec le produit de marque Adam Hall.

Cette garantie limitée ne s'applique pas :

- aux pièces d'usure (par exemple, un accumulateur)
- à tout produit sur lequel le numéro de série a été enlevé, ou à tout produit endommagé ou rendu défectueux à la suite d'un accident
- en cas de utilisation, d'utilisation abusive, ou d'autres causes externes
- en cas d'utilisation hors des valeurs d'usage des paramètres, mentionnés dans le manuel utilisateur livré avec le produit
- en cas d'utilisation de pièces de rechange non fabriquées ou non vendues par Adam Hall
- en cas de modification ou de réparation non assurée par Adam Hall

Ces termes et conditions constituent l'accord de garantie complet et exclusif entre vous et Adam Hall, concernant le produit de marque Adam Hall que vous avez acheté.

## DECLARATIONS DU FABRICANT:

### RESPONSABILITE LIMITEE

Si votre appareil de marque Adam Hall ne fonctionne pas comme garanti ci avant, le seul recours, exclusif, est sa réparation ou son remplacement. Dans le cadre de cette garantie limitée, la responsabilité financière maximale d'Adam Hall est expressément limitée à la plus faible des deux sommes suivantes : prix payé pour le produit ou coût de réparation ou de remplacement de tout composant matériel ne fonctionnant pas correctement dans des conditions d'utilisation normale.

Adam Hall ne peut être tenu financièrement pour responsable de tout dommage causé par le produit ou par sa défaillance - y compris toute perte de recettes ou de bénéfices ou tout dommage spécifique, incidentel ou consécutif. Adam Hall n'est pas responsable financièrement en cas de requête émanant d'une tierce partie ou de votre part pour une tierce partie.

Cette limitation de responsabilité financière s'applique en cas de demande de dommages et intérêts ou de poursuites, dans le cadre de cette garantie limitée ou en cas de procédure (négligence et stricte responsabilité produit), de non-respect de contrat, ou de toute autre procédure. Cette limitation de responsabilité financière ne peut être annulée ou amendée par quiconque. Cette limitation de responsabilité financière sera effective même si vous avez prévenu Adam Hall ou tout représentant autorisé de Adam Hall de la possibilité de tels dommages. Toutefois, cette limitation de responsabilité financière ne s'applique pas en cas de blessures personnelles.

Cette garantie limitée vous donne des droits légaux spécifiques. Vous pouvez également avoir d'autres droits, qui peuvent varier d'un état ou d'un pays à un autre. Nous vous conseillons de vous reporter aux lois applicables dans votre état ou dans votre pays pour déterminer l'étendue exacte de vos droits.

### DEMANDE DE REPARATIONS SOUS GARANTIE

Pour demander des réparations sous garantie pour votre produit, veuillez contacter Adam Hall ou le revendeur agréé Adam Hall chez qui vous avez acheté le produit.

### DECLARATION DE CONFORMITE

Ces produits sont conformes aux obligations essentielles et aux standards ultérieurs des Directives européennes 199/5/EU, 89/336/EU.

### RECYCLAGE CORRECT DE CE PRODUIT (DECHET ELECTRIQUE)

(Applicable dans l'Union Européenne et autres pays européens pratiquant la collecte sélective des déchets)



La présence de ce logo sur le produit ou son manuel d'utilisation indique qu'en fin de vie, il ne doit pas être jeté avec les autres déchets domestiques. Afin d'éviter toute atteinte à l'environnement ou à la santé humaine consécutive à une gestion incontrôlée des déchets, veuillez séparer ce produit des autres types de déchets, et assurer son recyclage de manière responsable, afin de promouvoir la réutilisation durable des ressources matérielles.

Nous conseillons aux utilisateurs domestiques de contacter le revendeur chez qui ils ont acheté le produit, ou un représentant du gouvernement local, pour plus de détails sur le lieu de collecte et la façon de recycler cet appareil dans le meilleur respect de l'environnement possible.

+Nous invitons les utilisateurs professionnels à contacter leur fournisseur et à vérifier les termes et conditions de leur contrat d'achat. Ce produit ne doit pas être mélangé à d'autres déchets commerciaux lors de la collecte.

## DECLARATIONS DU FABRICANT:

### DECLARATION WEEE



Votre produit LD-Systems a été développé et fabriqué avec des matériaux et des composants de haute qualité, qui peuvent être recyclés et/ou réutilisés. Ce symbole indique que les appareils électriques et électroniques, à la fin de leur durée de vie opérationnelle, doivent être gérés séparément des déchets ordinaires.

Veuillez apporter ce produit au point de collecte ou centre de recyclage local prévu pour de tels appareils. Vous contribuerez ainsi à la protection de l'environnement dans lequel nous vivons tous.

### BATTERIES ET ACCUMULATEURS



Les piles ou batteries rechargeable livrées avec l'appareil sont recyclables. Veuillez les jeter dans un bac à déchets spécial, ou déposez-les chez votre revendeur spécialisé. Pour une meilleure protection de l'environnement, ne jetez les piles que lorsqu'elles sont épuisées.

ENGLISH

DEUTSCH

FRANCAIS

ESPAÑOL

POLSKI

Adam Hall GmbH, tous droits réservés. Les caractéristiques techniques et les fonctions disponibles sur le produit sont sujettes à modifications. La photocopie, la traduction et toute forme de copie, partielle ou intégrale, de ce manuel utilisateur sont interdites.



ENGLISH

DEUTSCH

FRANCAIS

ESPAÑOL

POLSKI

## Gracias por elegir LD-Systems!

Este producto se ha diseñado para ofrecer una fiabilidad y durabilidad óptima. Los productos de LD-Systems se caracterizan por su gran calidad, avalada por el prestigio de la marca y una dilatada experiencia como fabricante.

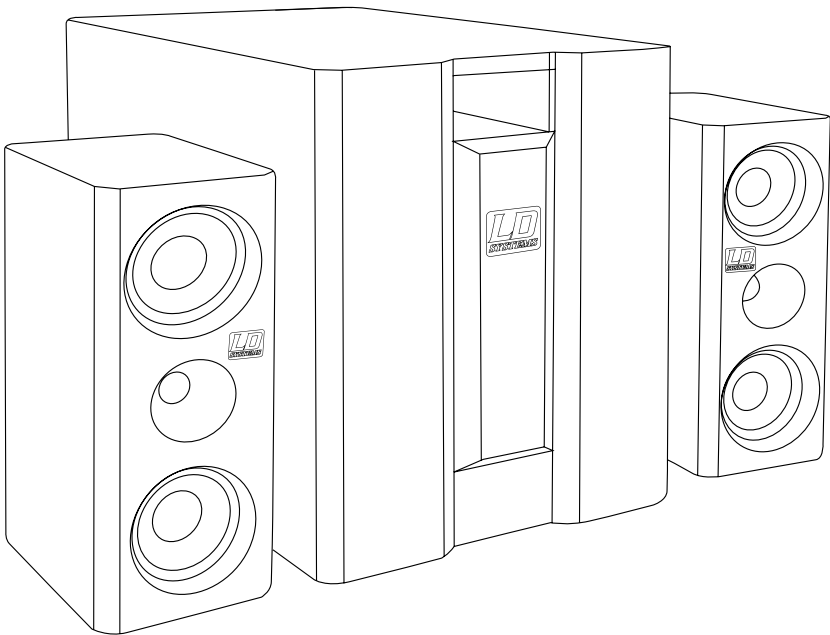
Le rogamos que lea atentamente estas instrucciones para familiarizarse rápidamente con este producto LD-Systems y aprovechar al máximo todas las funciones.

Si desea obtener información sobre LD-Systems, visite nuestro sitio web [WWW.LD-SYSTEMS.COM](http://WWW.LD-SYSTEMS.COM)



# LD DAVE 8XS

SISTEMA MULTIMEDIA PORTÁTIL DE 8"



ENGLISH

DEUTSCH

FRANCAIS

ESPAÑOL

POLSKI

## MEDIDAS PREVENTIVAS:

1. Lea atentamente las instrucciones de seguridad adjuntas así como las instrucciones de este documento.
2. Guarde todas las instrucciones.
3. Utilice el equipo únicamente según la finalidad prevista.
4. Procure seguir las normas vigentes sobre reciclaje de desechos. Separe los componentes de plástico y de cartón del paquete para reciclarlos en sus contenedores respectivos.
5. Acuda a personal de servicio técnico cualificado en caso de que el equipo esté dañado, no funcione correctamente, se haya expuesto a lluvia o haya caído líquido sobre el equipo.
6. Evite colocar el equipo cerca de una fuente de calor, como hornos, radiadores o cualquier otro dispositivo (incluidos los amplificadores). Mantenga una distancia suficiente entre los amplificadores y las paredes, estanterías, etc. para evitar cualquier sobrecalentamiento.
7. Una vez realizadas todas las conexiones, compruebe el cableado para evitar posibles daños o accidentes. No utilice cables o conexiones que estén dañados.
8. En la instalación utilice solo soportes, fijaciones, estantes, mesas, etc. que sean estables y estén homologados. Compruebe que la estabilidad es adecuada para evitar la caída del equipo.
9. Compruebe la tensión indicada para el equipo antes de conectarlo. Cualquier error de conexión podría dañar el equipo.



### ADVERTENCIA:

Para evitar el riesgo de descarga eléctrica, no retire la tapa (o el panel posterior). Este equipo no contiene piezas que puedan ser reparadas por el usuario. Para cualquier tarea de mantenimiento o reparación, acuda a un técnico cualificado.



El símbolo de rayo dentro de un triángulo equilátero advierte al usuario de la presencia de tensión peligrosa sin aislamiento dentro de la carcasa del producto que pueden ser de magnitud suficiente como para suponer un riesgo para las personas.



El símbolo de exclamación dentro de un triángulo equilátero advierte al usuario de la existencia de importantes instrucciones de funcionamiento y mantenimiento (reparaciones) en la documentación adjunta con el equipo.

### ADVERTENCIA! ALTO VOLUMEN!

Este equipo se destina a un uso profesional. Por consiguiente, si se aplica a un uso comercial, estará sujeto a las normas y reglamentos de la Asociación para la prevención de accidentes de su sector profesional. Como fabricante, Adam Hall tiene la obligación de informar formalmente a los usuarios de la existencia de posibles riesgos para la salud.

## INSTALACIÓN Y FUNCIONAMIENTO:

ENGLISH

DEUTSCH

FRANCAIS

ESPAÑOL

POLSKI

### TRANSPORTE E INSTALACIÓN

El sistema activo LD DAVE 8XS es un sistema muy compacto que se puede transportar fácilmente. Mientras esté en funcionamiento, el sistema deberá apoyarse sobre sus patas de goma. No haga funcionar el sistema encima de una plataforma de transporte, ya que podría desplazarse sin control y provocar un accidente. El módulo de amplificación integrado se encuentra en el subwoofer.

Mantenga una distancia mínima de 50 cm entre el amplificador y las paredes, estanterías, etc. para que haya siempre suficiente ventilación y evitar cualquier sobrecalentamiento. Asegúrese de que utiliza un cableado adecuado tanto para la alimentación eléctrica del sistema como para el altavoz.

Emplee únicamente cables que no estén dañados y del calibre adecuado (mín. 2 x 1,5 mm<sup>2</sup> para la conexión al altavoz); además, asegúrese de que los rollos de cable están completamente desenrollados.

Para evitar accidentes y daños personales, compruebe que en toda la longitud del cableado no hay peligro de que provoque una caída, y si es necesario utilice cinta americana para fijar el cable al suelo.

No instale el sistema cerca de un desnivel para evitar cualquier caída fortuita del mismo. No coloque el subwoofer en una mesa.

Se recomienda encender el sistema el último y apagarlo el primero para evitar los chasquidos iniciales al conectar equipos externos.

### SATÉLITES

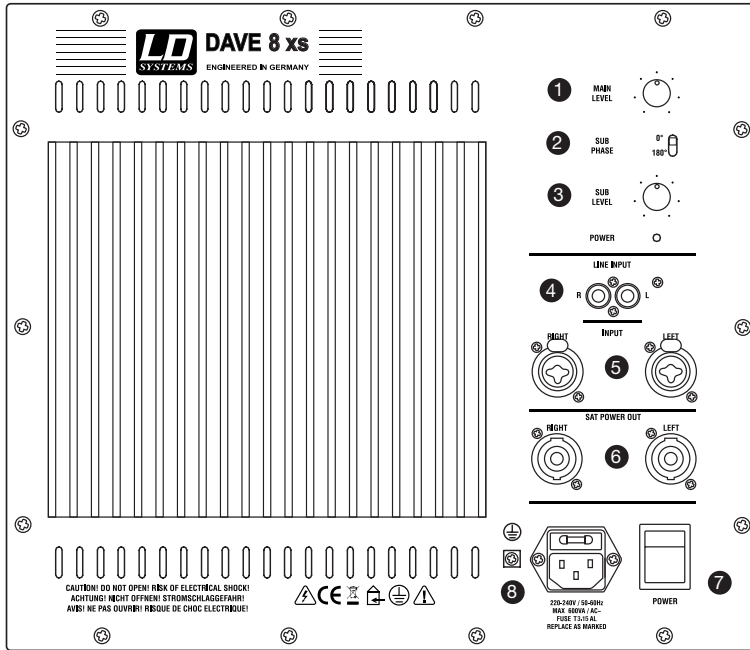
Los satélites del sistema LD DAVE 8XS pueden colocarse sobre soportes de micrófonos de rosca de 3/8" (los satélites se suministran con rosca de 3/8" en su cara inferior) o sobre soportes de altavoz (como el SKDB039). En la parte posterior de los satélites también se encuentran dos roscas M6 (distancia entre centros de 59 mm) para fijación en un soporte de pared para altavoz (como el SPSG3B).

### FUNCIONAMIENTO

El módulo de amplificación del DAVE8XS permite ajustar el nivel principal del sistema, pero también es posible ajustar el nivel del subwoofer de forma independiente. El ajuste final del nivel debe realizarse en el equipo fuente (mezclador, etc.). El módulo de amplificación incluye dos tipos de conector de entrada de línea: RCA no balanceado y XLR balanceado. **ADVERTENCIA:** No utilizar NUNCA las dos entradas simultáneamente, ya que podrían dañarse los equipos conectados.

En la siguiente página se muestran la conexión y los controles del DAVE8XS.

# CONEXIÓN Y CONTROLES:



## 1 CONTROL MAIN LEVEL

Ajusta el nivel principal del sistema (incluido el subwoofer).

## 2 SUB PHASE

Conmutador de inversión de fase del Subwoofer (0° o 180°).

## 3 CONTROL SUB LEVEL

Permite ajustar el nivel del subwoofer de forma independiente al nivel de los satélites. Como regla general, se recomienda situar el control SUB LEVEL en su posición media (12 en punto).

## 4 LINE INPUT RCA (L/R)

Conectores RCA de entrada de línea no balanceada

## 5 LINE INPUT XLR (LEFT/RIGHT)

Conectores XLR de entrada de línea balanceada

## 6 SAT POWER OUT (LEFT/RIGHT)

Salida de altavoz compatible speakON®. Impedancia mínima de altavoz: 4 ohmios. Pines usados: 1+ / 1-.

## 7 INTERRUPTOR DE ENCENDIDO

Se recomienda encender el sistema el último y apagarlo el primero para evitar los chasquidos iniciales al conectar equipos externos.

## 8 TOMA DE TENSIÓN CON PORTAFUSIBLE

Toma de tensión de 240 V (conector IEC) con portafusible. ADVERTENCIA: desconecte el sistema de la tensión eléctrica antes de sustituir el fusible. Si el fusible se fundiera continuamente, póngase en contacto con un servicio técnico autorizado.

## ESPECIFICACIONES TÉCNICAS:

<b>Modelo::</b>	<b>LDDAVE8XS</b>
Subwoofer:	Pasa banda
Satélites:	Cerrados
Subwoofer:	8" personalizado
Satélites:	Bajos: 2 x 4" personalizado Altos: 1" personalizado
Módulo de amplificación:	Clase A/B
Dispersión (°):	60 x 60
Potencia de salida RMS (W):	Subwoofer: 150 Satélites: 2 x 100
Rango de frecuencias (Hz):	45 a 19.000
SPL 1 W a 1 m (dB):	96
SPL máx. (dB):	117
Protección:	Cortocircuito, Sobreintensidad, Limitador
Controles:	Volumen, Nivel de subwoofer, Inversión de fase 180°, Interruptor de encendido
Conectores:	Entrada de subwoofer: Línea: XLR Salida de subwoofer: Salida activa SPKn para satélites pasivos Entrada de satélites: SPKn
Refrigeración:	Disipador
Alimentación:	Transformador
Material de la caja:	Subwoofer: DM de 15 mm. Satélites: DM de 12 mm.
Acabado de la caja:	Pintura
Dimensiones An x Al x F (mm):	Subwoofer: 352 x 430 x 434 Satélites: 144 x 350 x 170
Dado que trabajamos constantemente en mejorar nuestros productos, las especificaciones técnicas pueden variar sin previo aviso.	

## ACCESORIOS DE TRANSPORTE E INSTALACIÓN:

ENGLISH

DEUTSCH

FRANCAIS

ESPAÑOL

POLSKI



### **SOPORTE PARA SATÉLITE**

(Soporte de micrófono)  
Ref. S22



### **SOPORTE DE PARED PARA BAFLE**

Ref. SP3G3B

### **SOPORTE PARA MICRÓFONO**

Ref. SKDB039



## DECLARACIÓN DEL FABRICANTE:

### GARANTÍA LIMITADA

Esta garantía limitada se aplica a los productos de la marca Adam Hall, LD Systems, Defender, Palmer y Eminence.

No afecta a los derechos de garantía legal que asume el vendedor. De hecho, le concede al usuario derechos adicionales ante Adam Hall, independientes de la garantía legal.

Adam Hall garantiza que el producto que ha adquirido de Adam Hall o de cualquier distribuidor autorizado de Adam Hall estará exento de defectos de material y mano de obra, en condiciones normales de uso, durante un período de 2 o 5 años a partir de la fecha de compra.

La garantía limitada entra en vigor el día de la fecha de compra. Para tener derecho a esta garantía será necesario presentar un justificante de compra válido en el que figure la fecha de compra del producto, por ejemplo, la factura o el albarán de entrega. Si el producto que ha adquirido necesitara una reparación durante la vigencia de la garantía limitada, tendrá derecho a obtener los servicios de garantía conforme a los términos y condiciones establecidos en este documento.

Esta garantía limitada se aplica únicamente al comprador original de este producto de Adam Hall y no se puede transferir a terceras personas a las que el comprador haya cedido la propiedad del producto. Durante el periodo de garantía limitada, Adam Hall se compromete a reparar o sustituir las piezas defectuosas del producto. Todas las piezas o componentes retirados durante la reparación pasarán a ser propiedad de Adam Hall.

En el caso poco probable de que se produzca un fallo recurrente en el producto adquirido, Adam Hall, a su entera discreción, podrá optar por sustituir dicho producto por otro de similares características.

Adam Hall no garantiza el funcionamiento ininterrumpido y sin fallos de este producto. Adam Hall no se hace responsable de los posibles daños ocasionados por no seguir las instrucciones de uso suministradas con el producto Adam Hall.

Esta garantía limitada no se aplica:

- en caso de desgaste normal de los consumibles (baterías, etc.)
- a los productos cuyo número de serie ha sido borrado, o que han quedado dañados y defectuosos debido a un accidente
- en caso de defectos ocasionados por una incorrecta utilización o manipulación, o cualquier otra causa ajena
- en caso de utilización del producto no conforme con los parámetros establecidos en la documentación facilitada con el producto
- en caso de utilización de piezas de repuesto no fabricadas o vendidas por Adam Hall
- si el producto ha sido modificado o reparado por personal no autorizado por Adam Hall

Estos términos y condiciones constituyen el acuerdo de garantía íntegro y exclusivo entre usted y Adam Hall en relación con el producto Adam Hall que acaba de adquirir.

## DECLARACIÓN DEL FABRICANTE:

### LIMITACIÓN DE RESPONSABILIDAD

Si su producto Adam Hall no funciona de acuerdo con las garantías mencionadas arriba, tendrá derecho exclusivamente a la reparación o sustitución del mismo. La responsabilidad máxima de Adam Hall en virtud de los términos de esta garantía está limitada al menor importe que resulte del precio de compra del producto, del coste de la reparación o la sustitución de las piezas que han dejado de funcionar en condiciones normales de uso.

Adam Hall no será responsable de cualquier daño causado por el producto o por el mal funcionamiento del producto, incluidas la pérdida de ganancias, la pérdida de ahorros o cualquier consecuencia derivada de dichas pérdidas. Adam Hall no se hará responsable de ninguna reclamación presentada por un tercero o por el comprador inicial en nombre de un tercero.

Esta limitación de responsabilidad se aplicará con independencia de que se solicite una indemnización por daños y perjuicios, o se presenten reclamaciones por negligencia, contractuales o de cualquier otra índole, y no podrá ser derogada o modificada. Esta limitación de responsabilidad será efectiva incluso en el caso de que el comprador hubiese avisado previamente a Adam Hall o a alguno de sus representantes de la posibilidad de reclamar daños y perjuicios. No obstante, esta limitación de responsabilidad no tendrá efecto en caso de reclamación por daños personales.

Esta garantía limitada le otorga derechos legales específicos. Puede que posea derechos adicionales conforme a la legislación del país o Estado en el que se encuentre. Le recomendamos que consulte la legislación vigente en su país o Estado para conocer el alcance de sus derechos.

### APLICACIÓN DE LA GARANTÍA

Para solicitar asistencia técnica en relación con el producto en garantía, póngase en contacto con Adam Hall o con el distribuidor autorizado donde adquirió el producto.

### DECLARACIÓN CE DE CONFORMIDAD

Estos productos cumplen los requisitos esenciales de las directivas europeas 1999/5/CE y 89/336/CE, así como las correspondientes cláusulas adicionales.

### ELIMINACIÓN CORRECTA DE ESTE PRODUCTO (DESECHOS ELÉCTRICOS)

(Aplicable en la Unión Europea y en los países europeos que dispongan de un sistema de recogida selectiva)



El símbolo que aparece sobre el producto o en la documentación adjunta indica que, al final de su vida útil, no deberá desecharse con los demás residuos domésticos. Para evitar posibles efectos negativos en el medio ambiente y en la salud humana debidos al vertido incontrolado de desechos, no mezcle este producto con los demás residuos. La recogida selectiva ayuda a su posterior reciclaje y fomenta la reutilización sostenible de los componentes de este equipo.

Si usted es un particular, deberá ponerse en contacto con el distribuidor donde adquirió este producto, o con el ayuntamiento, para informarse sobre el reciclaje adecuado de este equipo.

Si usted es una empresa, deberá ponerse en contacto con su proveedor e informarse sobre los términos y condiciones de su contrato de compra-venta. Este producto no debe mezclarse con otros residuos industriales.



## DECLARACIÓN DEL FABRICANTE:

### DECLARACIÓN SOBRE WEEE

Este producto LD-Systems se ha desarrollado y fabricado con materiales y componentes de alta calidad que se pueden reciclar o reutilizar. Este símbolo indica que los equipos eléctricos y electrónicos deben separarse del resto de residuos comunes al final de su vida útil.

Para desechar este producto, llévelo al punto de recogida municipal o al centro de reciclaje específico para este tipo de equipos. De este modo, contribuirá a proteger el medioambiente.

### PILAS Y ACUMULADORES

Las pilas suministradas o las pilas recargables se pueden reciclar. Para desecharlas, dépositelas en un contenedor especial o entréguelas a su proveedor especializado. Para proteger el medioambiente, deseche sólo pilas gastadas.

ENGLISH

DEUTSCH

FRANCAIS

ESPAÑOL

POLSKI

Adam Hall GmbH. Todos los derechos reservados. Los datos técnicos y las características funcionales del producto están sujetos a modificaciones. Se prohíbe la fotocopia, traducción y cualquier otra forma de reproducción parcial o total de este manual de usuario.



ENGLISH

## Dziękujemy za wybór LD Systems!

Zaprojektowaliśmy ten produkt tak, aby działał sprawnie przez wiele lat. LD-Systems gwarantuje wysoką jakość produktów swoją marką i wieloma latami doświadczenia jako producent.

Prosimy abyś zapoznał się dokładnie z niniejszą instrukcją, ponieważ chcemy abyś szybko mógł cieszyć się w pełni swoim nowym produktem LD Systems.

Więcej informacji na temat LD Systems znajdziesz na naszej stronie internetowej: [WWW.LD-SYSTEMS.COM](http://WWW.LD-SYSTEMS.COM)

DEUTSCH

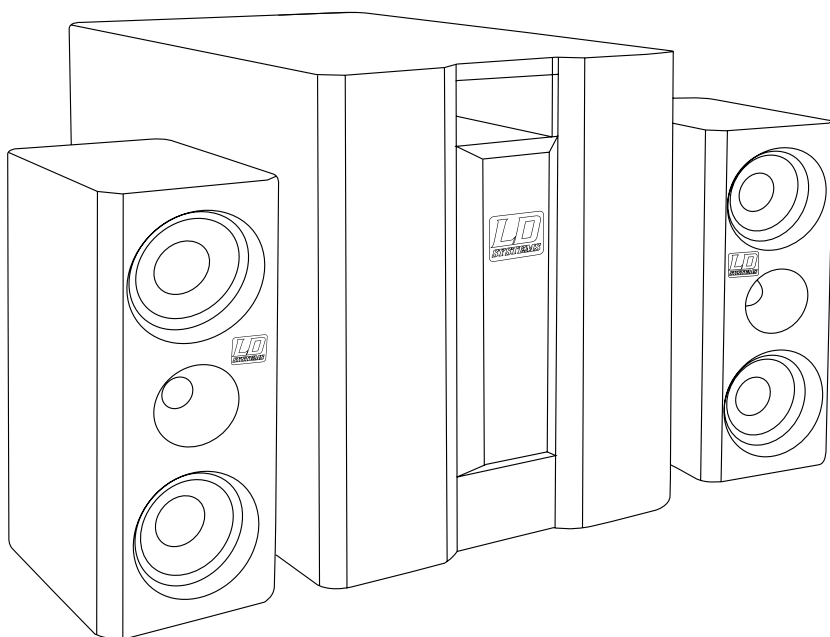
FRANCAIS

ESPAÑOL

POLSKI

# LD DAVE 8XS

PRZENOŚNY ZESTAW MULTIMEDIALNYCH  
GŁOŚNIKÓW AKTYWNYCH



ENGLISH

DEUTSCH

FRANCAIS

ESPAÑOL

POLSKI

## ŚRODKI BEZPIECZEŃSTWA:

1. Przeczytaj uważnie dołączone informacje na temat bezpieczeństwa i następujące po nich wskazówki.
2. Zachowaj pełną dokumentację produktu.
3. Używaj urządzenia zgodnie z jego przeznaczeniem.
4. Przestrzegaj przepisów dotyczących zarządzania odpadami. Dostarczając opakowanie podziel je na plastiki papier/tekturę przy selektywnej zbiórce odpadów.
5. Przekaż urządzenie wykwalifikowanemu technikowi serwisowemu, jeśli zostało uszkodzone, narażone na kontakt z deszczem/cieczą lub gdy nie funkcjonuje w sposób prawidłowy,
6. Nie przechowuj urządzenia w pobliżu źródeł ciepła takich jak piece, kaloryfery i inne urządzenia (w tym wzmacniacze). Zawsze dbaj o zachowanie odległości między urządzeniem, a wzmacniaczami, ścianami, skrzyniami itd. aby zapobiec przegrzaniu.
7. Po podłączeniu upewnij się, że wszystkie połączenia są wykonane prawidłowo, aby uniknąć jakiegokolwiek rodzaju wypadku lub szkody.  
Nigdy nie używaj wadliwego okablowania.
8. Używaj wyłącznie zatwierdzonych i stabilnych statywów, zaczepów, półek, stołów itp. przy instalacji. Upewnij się, że urządzenie zamontowane jest stabilnie i nie jest zagrożone upadkiem.



### UWAGA:

Aby zmniejszyć zagrożenie porażeniem elektrycznym, nie zdejmuj pokrywy (lub tylnej części obudowy). Brak elementów serwisowalnych przez użytkownika wewnątrz. Przekaż obsługę serwisową wykwalifikowanym fachowcom.



Symbol błyskawicy ze strzałką wpisany w trójkąt ostrzega użytkownika o obecności niez izolowanego „niebezpiecznego napięcia” wewnątrz obudowy produktu, które może mieć wystarczającą siłę, aby stanowić zagrożenie dla ludzi.



Znak wykrzyknika wpisany w trójkąt ostrzega użytkownika o obecności ważnych instrukcji użytkownika i eksploatacji (serwisowania) w literaturze dołączonej do urządzenia.

## MONTAŻ I UŻYTKOWANIE

ENGLISH

DEUTSCH

FRANCAIS

ESPAÑOL

POLSKI

### TRANSPORT I MONTAŻ

Kompaktowa forma zestawu LD DAVE 8XS umożliwia jego łatwy transport. Podczas pracy głośniki powinny być umieszczone na gumowych podkładkach. Nie używaj zestawu na jakiegokolwiek podstavie służącej do transportu. W takim przypadku może dojść do niekontrolowanego przemieszczenia jego elementów, co powoduje ryzyko wypadku i/lub uszkodzenia sprzętu. Zintegrowany moduł wzmacniacza został umieszczony na bocznej ścianie obudowy subwoofera.

Zachowaj odpowiednią odległość (min. 50 cm) pomiędzy wzmacniaczem a innymi obiektami, jak ściany, szafy itp., aby zapewnić przepływ powietrza i zapobiec przegrzaniu urządzenia. Zadbaj o poprawne podłączenie zasilania i głośników zestawu.

Używaj wyłącznie nieuszkodzonych kabli odpowiedniego rozmiaru (min. 2x1,5 mm<sup>2</sup> do podłączenia głośników) i całkowicie rozwiniętych szpul kablowych.

Wyeliminuj ryzyko potknięcia lub innego wypadku (zalecamy przymocowanie kabli do podłoża za pomocą taśmy Gaffa).

Nie umieszczaj sprzętu przy krawędziach podłoża, aby uniknąć upadku. Nie stawiaj subwoofera na stole/biurku. Zaleca się WŁĄCZENIE zestawu po podłączeniu wszystkich urządzeń zewnętrznych i jego WYŁĄCZENIE przed ich odłączeniem, aby uniknąć trzasków przy uruchamianiu.

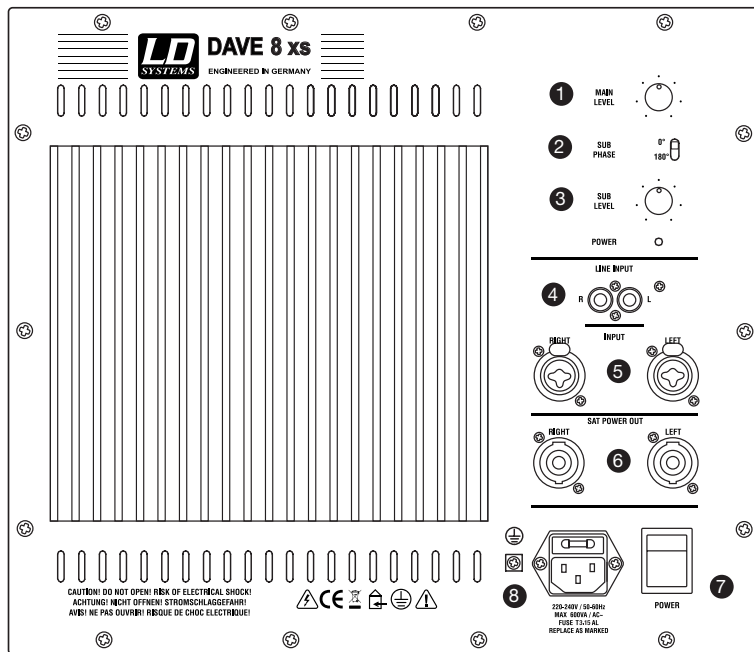
### KOLUMNY GŁOŚNIKOWE

Kolumny głośnikowe zestawu LD DAVE 8XS mogą być osadzone na stabilnych statywach mikrofonowych z gwintem 3/8" (są wyposażone w gwintowane otwory na spodniej płaszczyźnie obudowy) lub stabilnych statywach głośnikowych (np. SKDB039). Na tylnej stronie obudowy znajdują się także dwa gwintowane otwory M6 (w odległości 59 mm od siebie) pozwalające na zamontowanie uchwytów ściennych (np. SPSG3B).

### UŻYTKOWANIE

Moduł wzmacniający zestawu DAVE8XS umożliwia nie tylko regulację poziomu głośności całego zestawu, ale również oddzielną regulację poziomu sygnału subwoofera. Końcowy poziom sygnału powinien być ustawiany na urządzeniu wejściowym (mikserze itp.). Moduł wzmacniający jest wyposażony w 2 rodzaje gniazd wejściowych: gniazdo gramofonowe typu jack (niezrównoważone) oraz gniazdo XLR (zrównoważone). UWAGA: NIGDY nie używaj obu gniazd w tym samym czasie! Może to doprowadzić do uszkodzenia podłączonych urządzeń. Podłączenia i elementy sterowania zestawem DAVE 8XS są przedstawione na następnej stronie.

# PODŁĄCZENIA I ELEMENTY STEROWANIA



## 1 MAIN LEVEL CONTROL

Pokrętło służące do regulacji poziomu głośności zestawu (wraz z subwooferem).

## 2 SUB PHASE

Przycisk służący do obracania fazy subwoofera (0°/180°).

## 3 SUB LEVEL CONTROL

Pokrętło służące do regulacji poziomu głośności subwoofera niezależnie od kolumn głośnikowych. Standardowym, zalecanym ustawieniem jest umieszczenie pokrętła w pozycji środkowej (godzina 12).

## 4 RCA INPUT (LEFT / RIGHT)

Niezrównoważone, gramofonowe wejście liniowe z gniazdem typu jack.

## 5 XLR INPUT (LEFT / RIGHT)

Zrównoważone wejście liniowe z gniazdami XLR

## 6 SPEAKER OUTPUT (LEFT / RIGHT)

wejście głośnikowe kompatybilne ze Speakon®. Minimalna impedancja głośników: 4 omy. Wykorzystane piny to: 1+/-1-.

## 7 POWER

włącznik/wyłącznik główny. Zaleca się WŁĄCZENIE zestawu po podłączeniu wszystkich urządzeń zewnętrznych i jego WYŁĄCZENIE przed ich odłączeniem, aby uniknąć trzasków przy uruchamianiu.

## 8 GNIAZDO ELEKTRYCZNE

240 V (gniazdo IEC) i gniazdo bezpiecznika. UWAGA: Pamiętaj, by odłączyć zasilanie przed wymianą bezpiecznika. Skontaktuj się z personelem serwisowym, jeśli bezpieczniki ciągle się przepalają.

## SPECYFIKACJA:

ENGLISH

DEUTSCH

FRANCAIS

ESPAÑOL

POLSKI

Nazwa modelu:	LDDAVE8XS
Subwoofer:	band pass
Kolumny głośnikowe:	obudowa zamknięta
Subwoofer:	8" wykonany na zamówienie
Kolumny głośnikowe:	Niskotonowy: 2x4" wykonany na zamówienie Wysokotonowy: 1" wykonany na zamówienie
Moduł wzmacniającaj:	klasa A/B
Dyspersja (°):	60 x 60
Moc wyjściowa RMS (W):	Subwoofer: 150 Kolumny głośnikowe: 2 x 100
Pasma przenoszenia (Hz):	45 – 19000
Ciśnienie akustyczne (SPL) 1 W/1 m (dB):	96
Maksymalne ciśnienie akustyczne (dB):	117
Ochrona:	przeciwprzepięciowa, przeciwprądowa, bramka sygnału
Regulacja:	głośność, poziom subwoofera, obrócenie fazy subwoofera o 180°, włącznik/wyłącznik główny
Złącza:	Wejście subwoofera: Wejście liniowe: XLR, gramofonowe typu jack Wyjście subwoofera: zasilane wyjście SPK <sub>n</sub> dla pasywnych kolumn głośnikowych Wejście kolumn głośnikowych: SPK <sub>n</sub>
Chłodzenie:	radiator
Zasilanie:	transformator
Materiał obudowy:	Subwoofer: Płyta MDF, 15 mm/ kolumny głośnikowe: Płyta MDF, 12 mm
Powierzchnia:	lakierowana
Rozmiary: WYS. x SZER. x DŁ. (mm):	Subwoofer: 352 x 430 x 434 Kolumny głośnikowe: 144 x 350 x 170
Ponieważ wszystkie nasze produkty są nieustannie sprawdzane i ulepszone, istnieje możliwość zmiany specyfikacji bez uprzedzenia.	

## AKCESORIA TRANSPORTOWE I MONTAŻOWE:

ENGLISH

DEUTSCH

FRANCAIS

ESPAÑOL

POLSKI



**STATYW NA KOLUMNY  
GŁOŚNIKOWE**  
(statyw mikrofonowy)  
nr. art. S22



**UCHWYTY ŚCIENNE  
DO KOLUMN GŁOŚNI-  
KOWYCH**  
nr. art. SPSG3B

**STATYW DO KOLUMN  
GŁOŚNIKOWYCH**

nr. art. SKDB039





## DEKLARACJE PRODUCENTA:

ENGLISH

DEUTSCH

FRANCAIS

ESPAÑOL

POLSKI

### OGRANICZONA GWARANCJA

Ta Ograniczona Gwarancja dotyczy produktów marek Adam Hall, LD Systems, Defender, Palmer oraz Eminence.

Niniejsza gwarancja nie wpływa na prawa gwarancyjne wynikające z przepisów lokalnych. Jest to dodatkowa, niezależna gwarancja ze strony firmy Adam Hall.

Adam Hall gwarantuje, że zakupiony produkt Adam Hall zakupiony od firmy Adam Hall lub autoryzowanego przedstawiciela Adam Hall, pozostanie wolny od wad w materiałach i wykonaniu, przy normalnym użytkowaniu przez okres 2 lub 3 lat od daty zakupu.

Okres gwarancyjny rozpoczyna się z dniem zakupu. Aby móc skorzystać z serwisu gwarancyjnego, kupujący zobowiązany jest do przedstawienia dowodu zakupu opatrzonego datą. Dokumenty takie jak paragon, faktura lub list przewozowy mogą być dowodem daty zakupu. Jeśli produkt wymienionych powyżej marek wymaga naprawy w czasie trwania okresu gwarancyjnego, nabywcy przysługują gwarancyjne usługi serwisowe zgodne z warunkami przedstawionymi w tym dokumencie.

Niniejsza gwarancja obejmuje wyłącznie oryginalnego nabywcę produktu marki Adam Hall i nie można jej przenieść na inną osobę, która przejmie własność produktu od oryginalnego nabywcy. Podczas okresu gwarancyjnego, Adam Hall zobowiązuje się do naprawy lub wymiany wadliwych komponentów produktu. Wszystkie części i elementy wymontowane z urządzenia podczas działań serwisowych stają się własnością Adam Hall.

W mało prawdopodobnym przypadku powtarzania się wady produktu Adam Hall, Adam Hall może zdecydować o dostarczeniu urządzenia zamiennego wybranego przez Adam Hall, które charakteryzuje się co najmniej takimi samymi parametrami jak reklamowany produkt.

Adam Hall nie gwarantuje, że eksploatacja produktu będzie przebiegać bezbłędnie lub nieprzerwanie. Adam Hall nie ponosi odpowiedzialności za uszkodzenia wynikające z niezastosowania się użytkownika do instrukcji dołączonej do produktu Adam Hall.

Ta Ograniczona Gwarancja nie dotyczy,

- części podlegających normalnemu zużyciu (np. akumulator)
- produktów, których numer seryjny został usunięty, uszkodzony lub pozbawiony czytelności wyniku wypadku
- przypadków nieprawidłowego użycia, celowego uszkodzenia lub powodów zewnętrznych
- przekroczenia dopuszczalnych parametrów pracy określonych w dokumentacji dostarczonej z produktem
- użycia części zamiennych nie pochodzących od Adam Hall
- przez modyfikację lub serwis nieprzeprowadzony przez Adam Hall

Te warunki określają kompletną i wyłączną umowę gwarancyjną między Nabywcą i firmą Adam Hall odnośnie zakupionego produktu markowego Adam Hall.

## OGRANICZENIE ODPOWIEDZIALNOŚCI

Jeśli Twój produkt Adam Hall nie działa prawidłowo, wskazanym i wyłącznym rozwiązaniem jest naprawa lub wymiana. Maksymalna odpowiedzialność firmy Adam Hall w związku z niniejszą gwarancją ogranicza się maksymalnie do kwoty równej cenie zakupu produktu lub kosztom naprawy lub wymiany komponentów sprzętowych, które uległy uszkodzeniu lub nie działają prawidłowo podczas normalnego użytkowania.

Adam Hall nie odpowiada za jakiegokolwiek szkody spowodowane przez produkt lub awarię produktu, włącznie z utratą zysków lub oszczędności, szczególnych, przypadkowych lub powiązanych szkód. Adam Hall nie ponosi odpowiedzialności za zobowiązania użytkownika wobec stron trzecich lub zobowiązania stron trzecich wobec użytkownika.

Ograniczenie odpowiedzialności ma zastosowanie w przypadku, gdy występują roszczenia odszkodowawcze lub składane są reklamacje na podstawie niniejszej gwarancji lub jako roszczenie z tytułu czynu niedozwolonego (włączając w to zaniedbanie oraz ścisłą odpowiedzialność za produkt), roszczenie z umowy lub jakiegokolwiek inne roszczenie. Żadna osoba nie może uchylić lub zmienić tych ograniczeń odpowiedzialności. Niniejsze ograniczenie odpowiedzialności pozostaje w mocy nawet jeśli nabywca poinformował firmę Adam Hall lub jej autoryzowanego przedstawiciela o możliwości wystąpienia takich szkód. Te ograniczenia odpowiedzialności nie dotyczą roszczeń wynikających z wystąpienia obrażeń u osób.

Niniejsza Gwarancja daje Ci pewne specyficzne prawa. Mogą przysługiwać Ci również inne prawa, które różnią się między sobą zależnie od państwa nadania. Radzimy zapoznanie się z prawem właściwym krajowi zamieszkania, w celu uzyskania kompletnej wiedzy na temat przysługujących praw.

## ŻĄDANIE OBSŁUGI GWARANCYJNEJ

Aby uzyskać obsługę gwarancyjną swojego produktu, skontaktuj się z firmą Adam Hall lub jej autoryzowanym przedstawicielem od którego kupiłeś produkt.

## DEKLARACJA ZGODNOŚCI

Ten produkt spełnia podstawowe wymagania oraz pozostałe standardy dyrektyw UE 199/5/EU, 89/336/EU.

## PRAWDŁOWE SKŁADOWANIE TEGO PRODUKTU (ODPADY ELEKTRONICZNEI)



(Informacje mają zastosowanie w krajach członkowskich UE i innych krajach europejskich, w których obowiązuje segregacja odpadów)

Ten znak na produkcie lub dołączonej dokumentacji oznacza, że nie należy go wyrzucać wraz z domowymi odpadkami po wycofaniu z użycia. Aby zapobiec możliwym szkodom dla środowiska i ludzkiego zdrowia spowodowanym niekontrolowanym składowaniem odpadów, prosimy o oddzielenie tego produktu od innych odpadów i odpowiedzialne poddanie go recyklingowi w celu promowania ciągłego odzyskiwania zasobów materiałowych.

Użytkownicy domowi powinni skontaktować się ze sprzedawcą lub lokalnym urzędem, aby uzyskać informacje na temat przyjaznej środowisku zbiórki odpadów elektronicznych.

Użytkownicy biznesowi powinni skontaktować się ze swoim dostawcą i sprawdzić warunki kontraktu nabycia. Tego produktu nie należy mieszać z innymi odpadami komercyjnymi przy składowaniu.

## DEKLARACJA-WEEE

Twój produkt LD Systems został zaprojektowany i wykonany z wysokiej jakości materiałów i komponentów, które można poddać recyklingowi i/lub użyć ponownie. Ten symbol oznacza, że sprzęt elektryczny i elektroniczny należy składować osobno od normalnych odpadów po zakończeniu użytkowania.

Prosimy, przekaż ten produkt do lokalnego punktu zbiórki lub centrum recyklingowego przeznaczonego dla tego typu sprzętu. W ten sposób przyczynisz się do ochrony środowiska, w którym żyjemy.

## BATERIE I AKUMULATORY

Dołączone baterie lub akumulatory można poddać recyklingowi. Prosimy, składuj je jako specjalne odpady lub zwróć do punktu nabycia. W celu ochrony środowiska wyrzucaj wyłącznie zużyte baterie.

Adam Hall GmbH, wszystkie prawa zastrzeżone. Dane techniczne i funkcjonalne produktu mogą podlegać modyfikacjom. Kopiowanie, tłumaczenie i pozostałe formy reprodukcji fragmentów lub całości tej instrukcji obsługi są zabronione.



[WWW.LD-SYSTEMS.COM](http://WWW.LD-SYSTEMS.COM)

**Adam Hall GmbH** | Daimlerstrasse 9 | 61267 Neu-Anspach | Germany  
Tel. +49(0)6081/9419-0 | Fax +49(0)6081/9419-1000  
web : [www.adamhall.com](http://www.adamhall.com) | e-mail : [mail@adamhall.com](mailto:mail@adamhall.com)



Printed in CHINA