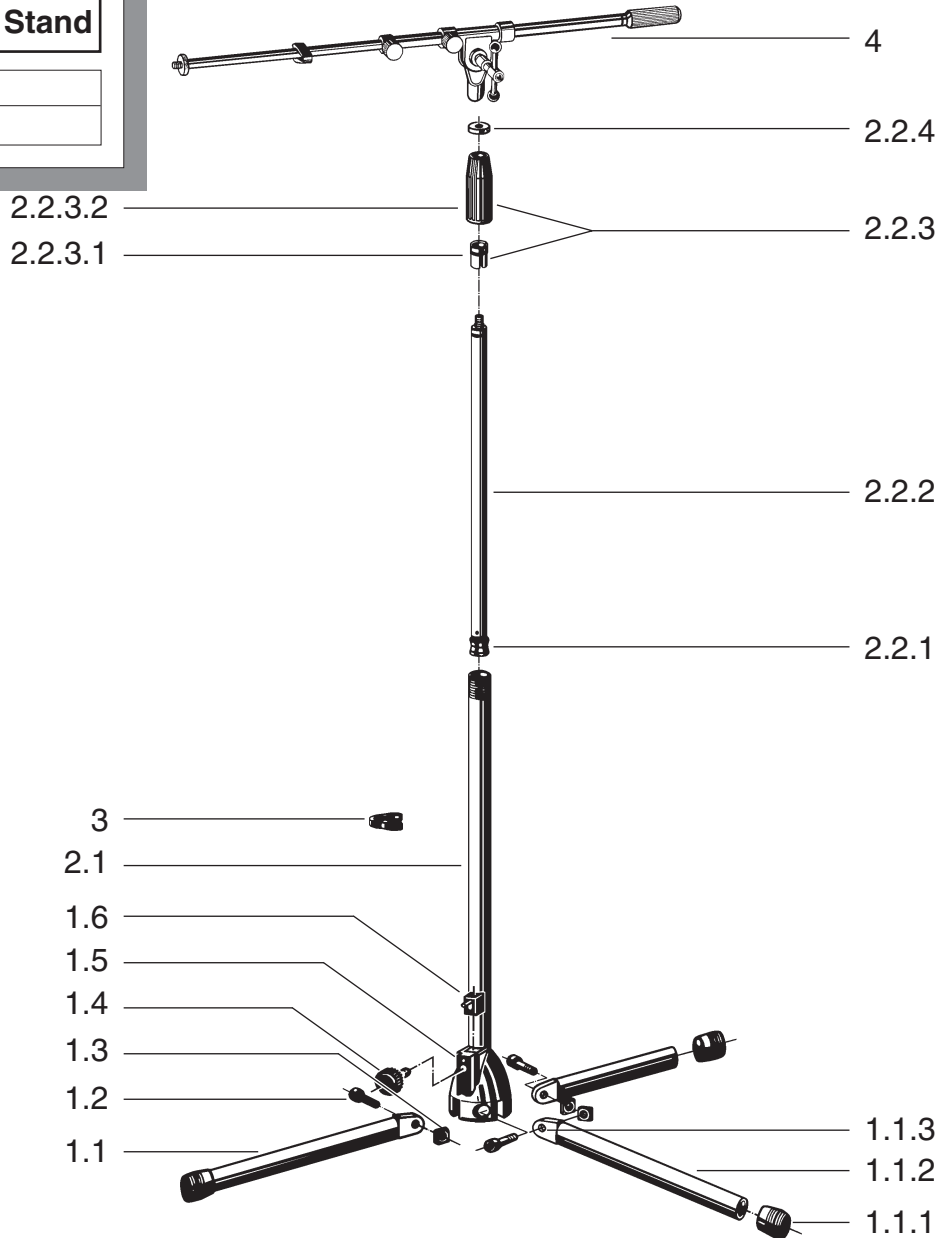


210/9 Microphone Stand

21090.300.01 nickel
21090.300.55 black



pos.	description	art.-no.		qty
		nickel	black	
1	complete base, consisting of:	7.201.300201	7.201.300255	1
1.1	complete leg, consisting of:	7.201.300101	7.201.300155	3
1.1.1	end-caps	01.84.980.55	01.84.980.55	1
1.1.2	leg tubing	02.83.505.01	02.83.505.55	1
1.1.3	plastic connector joint	01.87.930.55	01.87.930.55	1
1.2	allen screw M5 x 30 mm	03.02.165.00	03.02.165.00	3
1.3	locking nut M5	03.08.210.29	03.08.210.29	3
1.4	knurled knob	01.82.951.55	01.82.951.55	1
1.5	socket	02.41.135.55	02.41.135.55	1
1.6	plastic locking spacer	01.86.642.55	01.86.642.55	1
2	rod combination cpl., consisting of:	7.200.030801	7.200.030855	1
2.1	base rod	02.75.420.01	02.75.420.55	1
2.2	extension rod cpl., consisting of:	7.200.030701	7.200.030755	1
2.2.1	plastic stop ø 13 mm	01.85.070.55	01.85.070.55	1
2.2.2	extension rod with 3/8" thread	7.270.030501	7.200.030955	1
2.2.3	sleeve assembly cpl., consisting of:	7.200.000555	7.200.000555	1
2.2.3.1	plastic ring	01.86.820.55	01.86.820.55	1
2.2.3.2	plastic tightening sleeve	01.86.920.55	01.86.920.55	1
2.2.4	aluminum threaded washer 3/8"	03.31.525.00	03.31.550.15	1
3	plastic cable holder ø 20 mm	01.85.970.55	01.85.970.55	1
4	boom-arm 211/1	21110.300.01	21110.300.55	1