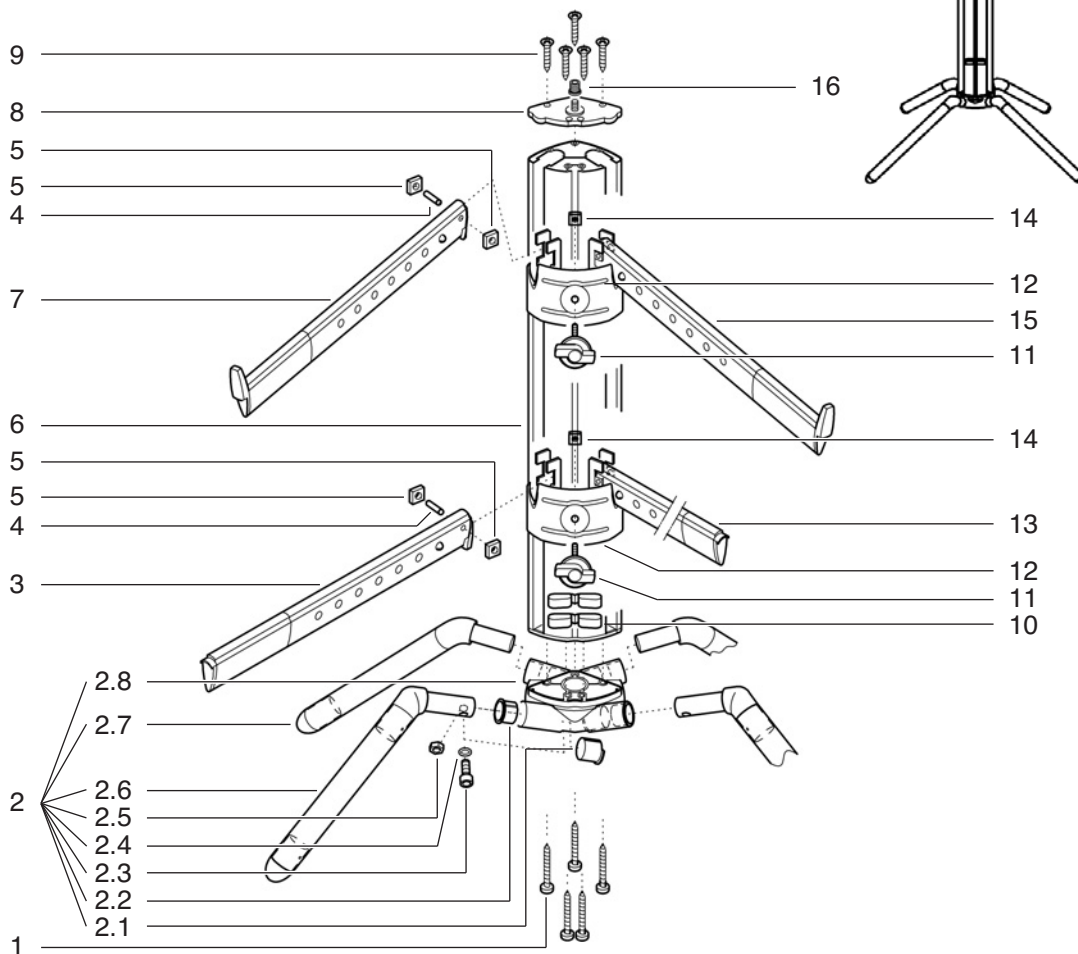


18860 Keyboard Stand »Spider Pro«

18860.000.30 alu silver

18860.000.35 alu black



pos.	description	art.-no. alu silver	art.-no. alu black	qty
1	countersunk head screw 5,4 x 45 mm	7.188.500800	7.188.500800	5
2	leg set with core cpl. consisting of:	7.188.601530	7.188.601535	1
2.1	bushing inside	7.188.601300	7.188.601300	4
2.2	bushing outside	7.188.601400	7.188.601400	4
2.3	screw M6 x 12 mm	7.188.500900	7.188.500900	4
2.4	washer	7.188.501300	7.188.501300	4
2.5	hexagon nut M6	7.188.501100	7.188.501100	4
2.6	leg long cpl.	7.188.500130	7.188.500135	2
2.7	leg short cpl.	7.188.601830	7.188.601835	2
2.8	leg core/socket	7.188.600230	7.188.600235	1
3	support arm horizontal left	7.188.600830	7.188.600835	1
4	locking bolt \varnothing 6 x 25,6 mm	7.188.601100	7.188.601100	4
5	arm square	7.188.601200	7.188.601200	8
6	supporting pillar	7.188.600430	7.188.600435	1
7	support arm tilted left	7.188.601030	7.188.601035	1
8	top cover with 3/8" -thread	7.188.600655	7.188.600655	1
9	countersunk head screw 5,4 x 25 mm	7.188.500700	7.188.500700	5
10	cable clamp	18867.000.55	18867.000.55	2
11	locking screw M6	7.188.501455	7.188.501455	2
12	support arm holder	7.188.600555	7.188.600555	2
13	support arm horizontal right	7.188.600730	7.188.600735	1
14	locking nut M6	7.188.501200	7.188.501200	2
15	support arm tilted right	7.188.600930	7.188.600935	1
16	thread adapter 3/8" - 5/8"	7.188.600355	7.188.600355	1