

# PC-1860F

The PC-1860F is suitable for announcements and BGM system use in high sound quality. The speaker's design harmonizes with modern architecture and decor. The PC-1860F speaker is equipped with a fire dome to protect it from fire and to prevent fire from spreading through the ceiling.

---




Article number:PC-1860F

---

## Specifications

Finish	traffic white (RAL 9016 or equivalent),
Operating temperature	-10 °C to +50 °C

## Appearance



### CEILING MOUNT FIREDOME SPEAKER PC-1860F

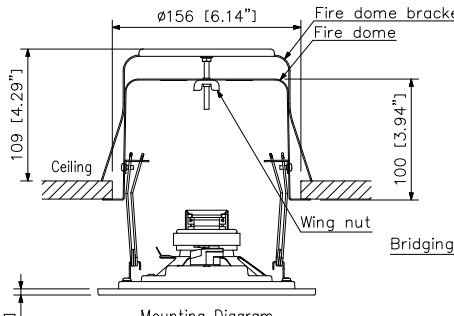
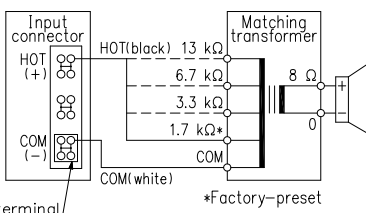
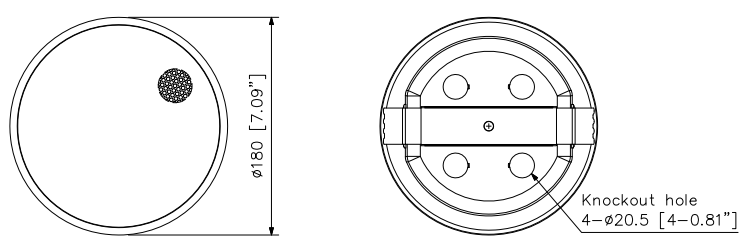
#### 5INCH 6W

**DESCRIPTION**  
 The PC-1860F Ceiling Mount Speaker features an iron-made dome that prevents the fire from spreading in the ceiling in case of an emergency situation. The PC-1860F is suitable for announcement and music use in high quality sound cone speaker. Speaker design that harmonize with venue's architecture and decor.

**SPECIFICATIONS**

Rated Input	6 W (100 V line), 3 W (70 V line)
Rated Impedance	100 V line: 1.7 kΩ (6 W), 3.3 kΩ (3 W), 6.7 kΩ (1.5 W), 13 kΩ (0.8 W) 70 V line: 1.7 kΩ (3 W), 3.3 kΩ (1.5 W), 6.7 kΩ (0.8 W), 13 kΩ (0.4 W)
Sensitivity	95 dB (1 W, 1 m) (500 Hz – 5 kHz, pink noise)
Frequency Response	170 Hz – 20 kHz (peak –20 dB)
Speaker Component	12 cm (5") cone-type
Dimensions for Fixing Hole	Mounting hole: $\phi 156 \pm 3$ mm (6.14" $\pm 0.12$ ") Ceiling thickness: 5 – 25 mm (0.2" – 0.98")
Speaker Mounting Method	Spring catch
Operating Temperature	-10 °C to +50 °C (14 °F to 122 °F)
Applicable Cable	Solid wire: 0.5 – 3 mm <sup>2</sup> (AWG 20 – 12)
Connection	Push wire connection (Bridging terminal-2 branch type)
Finish	Frame: Steel plate, white (RAL 9016 equivalent), paint Grille: Steel net, white (RAL 9016 equivalent), paint Fire dome: Steel plate, black, paint
Dimensions	$\phi 180 \times 5$ (exposed section) + 100 (D) mm (7.09" $\times$ 0.2" + 3.94")
Weight	1 kg (2.2 lb)
Accessory	Rubber grommet $\times 2$ , Paper pattern $\times 1$

**APPEARANCE**

UNIT:mm SCALE:1/4