



# GUIL®

AV STANDS - EVENTS - TRUSSING  
AUDIOVISUALES - EVENTOS - TRUSSES  
2020



[www.guil.es](http://www.guil.es)  
MADE IN SPAIN

GUIL - YOUR EUROPEAN STAGING MANUFACTURER



P.I. La Creu C/ Ismael Tomás Alacreu, 28-30  
C.P.46250 - L'ALCÚDIA (VALENCIA) SPAIN

GUIL - TU FABRICANTE EUROPEO DE ESCENARIOS

Tel. +34 962996500  
Fax. +34 962540833

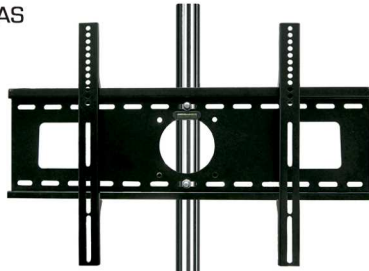
info@guil.es  
sales@guil.es



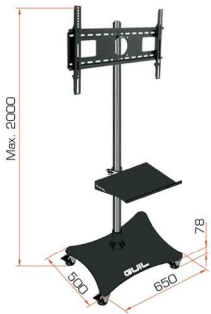
SOPORTES MÓVILES PARA PANTALLAS  
MOBILE SCREEN STANDS

**PTR-01**

- \* Para pantallas de 32" a 42"
- \* For 32" to 42" screens



Bandeja NO INCLUIDA  
Shelf NOT INCLUDED  
**PTR-01/B**



- > El cabezal y la bandeja se fijan al mástil mediante abrazaderas de aluminio.
- > Mástil con agujeros-pasacables / Nivel de burbuja.
- > Screen mount & shelf secured by aluminium couplers.
- > Mast tubes with cable holes / Spirit level.



**PTR-08**

- \* Para pantallas de 32" a 60"
- \* For 32" to 60" screens



Bandeja INCLUIDA  
Shelf INCLUDED  
**PTR-08/B**



SOPORTE MÓVIL MINI PARA PANTALLAS  
LOW LEVEL MOBILE SCREEN STANDS

**PTR-25**

- \* Para pantallas de 32" a 42"
- \* For 32" to 42" screens



Regulable en inclinación  
Tilting design



TORRE PARA PANTALLAS DE GRAN FORMATO  
MOBILE SCREEN LIFTING TOWER



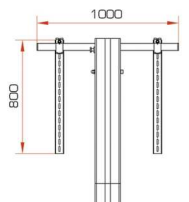
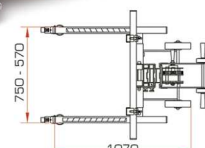
**TORO A-101/C-TV**

Torre de elevación mecánica con cabrestante autofrenable para una altura de hasta 3 m.

- > Carga máxima: 150 Kg

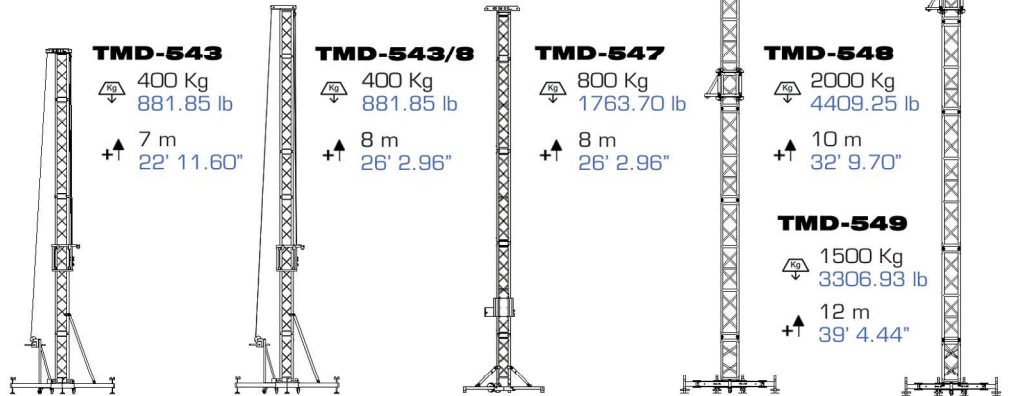
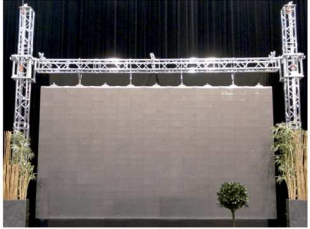
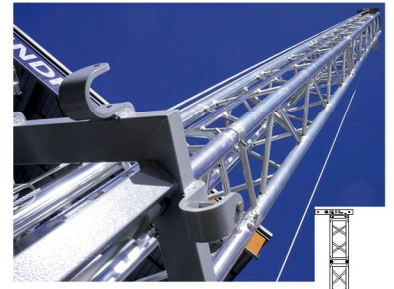
Manual lifting tower with autobrake hand winch for a maximum height of 3 m.

- > Maximum load: 150 Kg



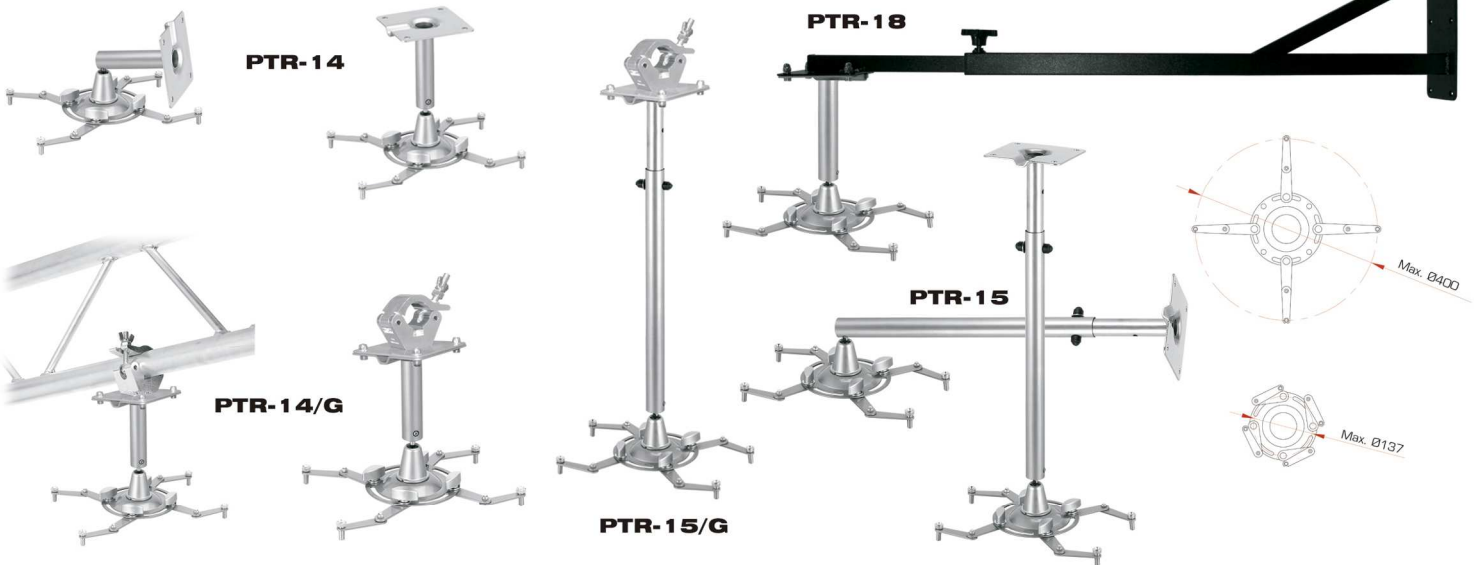
**GUIL** diseña y fabrica una amplia gama de estructuras y torres para la elevación y soporte de pantallas de LED, tanto para interiores como para exteriores.

**GUIL** designs and manufactures a wide range of free-standing aluminium structures to lift and hang your LED/Video screen, for both indoor and outdoor use.



SOPORTES PARA PROYECTORES

PROJECTOR MOUNTS




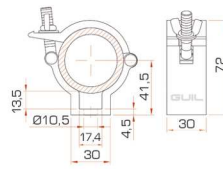






ESLINGAS Y RATCHETS

SLINGS & RATCHETS



Ratchet de gran resistencia  
Heavy Duty Tie Down Ratchet

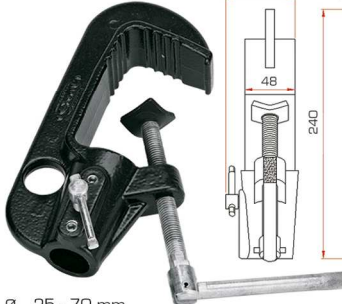

|   |   |   |   |  |   |   |   |
|---|---|---|---|--|---|---|---|
| <b>GF-08</b>  | <b>GF-01</b>  | <b>GF-03</b>  |   | <b>ABZ-00/N</b>  | <b>ABZ-00</b>   | <b>ABZ-20</b>   | <b>ABZ-21</b>   |
|  |  |  |  |  |  |  |  |
| swL 75 kg   | swL 75 kg   | swL 200 kg  | Ø 50 mm<br>M Aluminio /Aluminium  | swL 75 kg  | swL 75 kg   | swL 75 kg   | swL 75 kg   |
| M Acero/Steel<br>Ø 20 - 35 mm   | M Acero/Steel<br>Ø 30 - 50 mm   | M Acero/Steel<br>Ø 30 - 60 mm   |   |  |   |   | 360°  |

|  |   |   |   |  |   |   |
|--|---|---|---|--|---|---|
|  | <b>ABZ-29</b>   | <b>ABZ-35</b>   | <b>ABZ-34</b>   | <b>ABZ-30</b>  | <b>ABZ-31</b>   | <b>ABZ-32</b>   |
|  |  |  |  |  |  |  |
| Ø 45 - 52 mm<br>M Aluminio /Aluminium  | swL 500 kg  | swL 500 kg  | swL 300 kg  | swL 500 kg   | swL 750 kg  | swL 750 kg  |
|  |   |   |   | 360°   | 360°<br>180°  | 180°<br>360°  |

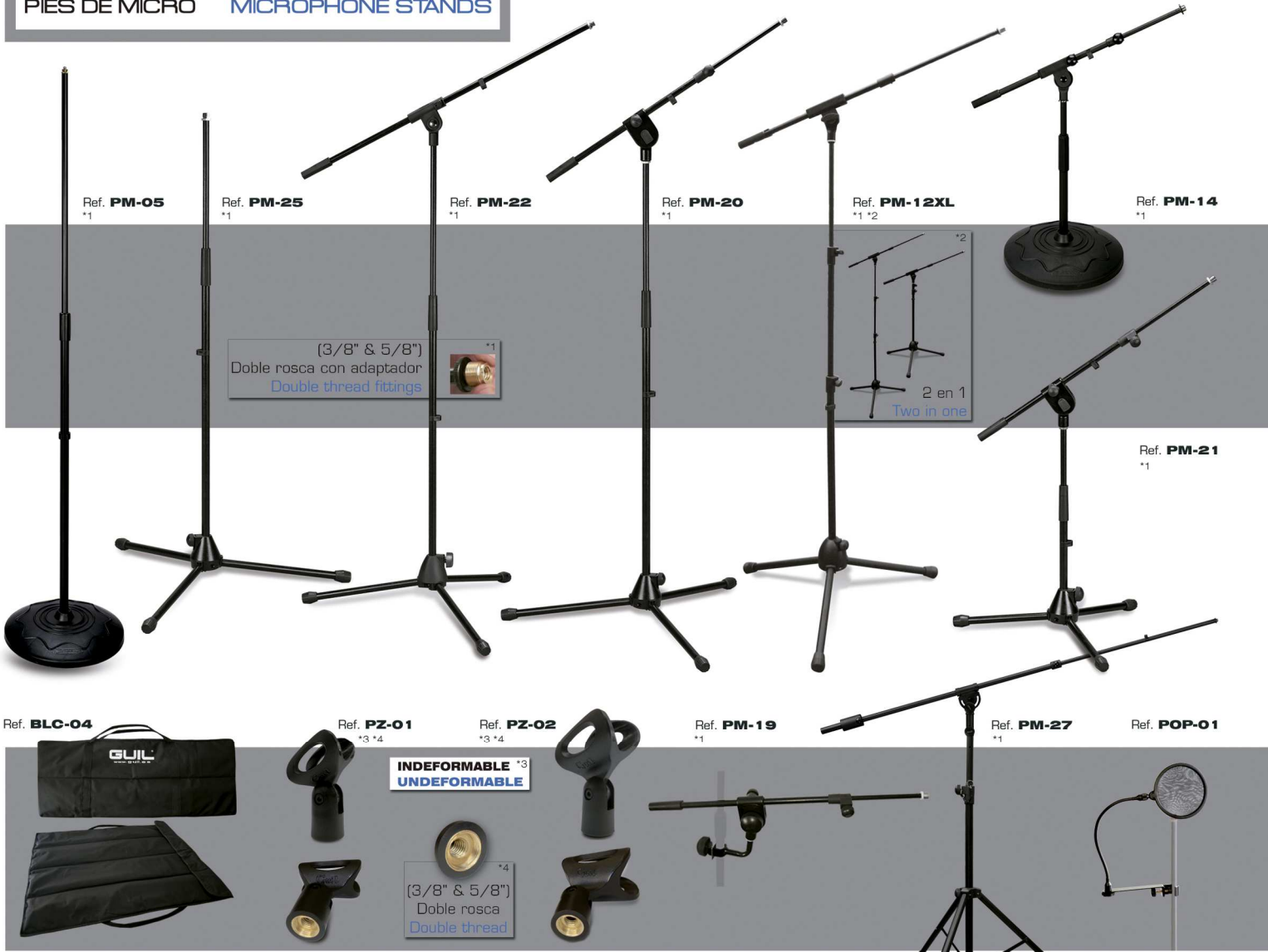
|   |  |  |  |   |  |  |
|---|--|--|--|---|--|--|
|   | <b>ABZ-24</b>  | <b>ABZ-03</b>  | <b>ABZ-04</b>  | <b>ABZ-05</b>   | <b>ABZ-36</b>  | <b>ABZ-37</b>  |
|  |  |  |  |  |  |  |
| Ø 45 - 52 mm<br>M Aluminio /Aluminium   | swL 750 kg   | swL 750 kg   | swL 300 kg   | swL 750 kg  | swL 500 kg   | swL 500 kg   |
|   |  |  |  | 360°  | Ø35 mm   | Ø50 mm   |

|  |   |   |   |   |
|--|---|---|---|---|
|  | <b>ABZ-06/E-N</b>   | <b>ABZ-06/E</b>   | <b>ABZ-07/E</b>   | <b>ABZ-08/E</b>   |
|  |  |  |  |  |
| Ø 38 - 51 mm<br>M Aluminio /Aluminium  | swL 100 kg  | swL 100 kg  | swL 100 kg  | swL 100 kg  |

|  |   |   |   |
|--|---|---|---|
|  | <b>ABZ-01</b>   | <b>ABZ-02</b>   | <b>ABZ-14</b>   |
|  |  |  |  |
| swL 100 kg   | swL 250 kg  | swL 250 kg  | swL 250 kg  |
| Ø 50 - 51 mm<br>M Aluminio /Aluminium  | Ø 45 - 52 mm<br>M Aluminio/Aluminium  | Ø 30 - 50 mm<br>M Aluminio /Aluminium   |   |

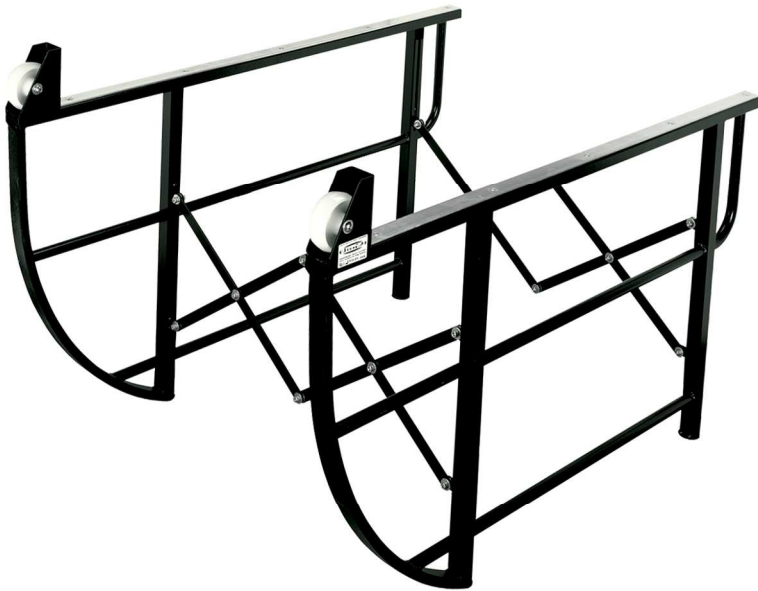
|  |   |  |
|--|---|--|
| <b>ABZ-16</b>  | <b>ABZ-15</b>   | <b>CS-10</b>   |
|  |  |  |
| swL 300 kg   | swL 150/300 kg  | swL 2000 kg<br>↔ 75 - 230 mm   |
| Ø 25 - 70 mm<br>M Aluminio /Aluminium  | Ø 45 - 52 mm<br>M Aluminio /Aluminium   | Pinza anclaje<br>Beam Clamp  |

**PIES DE MICRO MICROPHONE STANDS**



**SOPORTES DE ALTAVOZ SPEAKER STANDS**

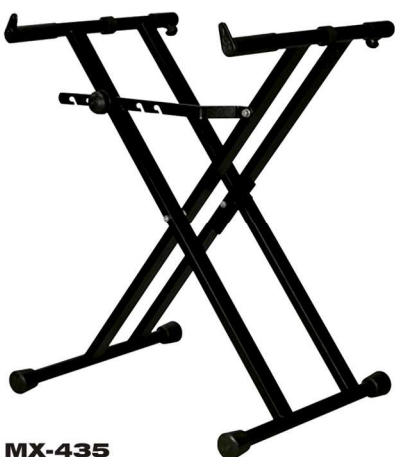




PRACTICAL DESIGN | FOLDING | EASY TO USE | RELIABLE



| REFERENCIA<br>REFERENCE | PESO NETO<br>NET WEIGHT | MATERIAL<br>MATERIAL | COLOR<br>COLOUR | CARGA MAX.<br>SWL   | MEDIDAS / MEASUREMENTS |                    |                   |                    |                    | MEDIDAS PLEGADO<br>FOLDED MEASUREMENTS           |
|-------------------------|-------------------------|----------------------|-----------------|---------------------|------------------------|--------------------|-------------------|--------------------|--------------------|--|
|                         |                         |                      |                 |                     | A                      | B                  | C                 | D                  | E                  |  |
| <b>MX-437</b>           | 21,5 kg<br>47.40 lb     | Acero<br>Steel       | Negro<br>Black  | 350 kg<br>771.62 lb | 90 cm<br>2' 11.43"     | 100 cm<br>3' 3.37" | 77 cm<br>2' 6.31" | 90 cm<br>2' 11.43" | 95 cm<br>3' 1.40"  | 100 x 20 x 90 cm<br>3' 3.37" x 7.87" x 2' 11.43" |
| <b>MX-431</b>           | 25 kg<br>55.12 lb       | Acero<br>Steel       | Negro<br>Black  | 350 kg<br>771.62 lb | 130 cm<br>4' 3.18"     | 140 cm<br>4' 7.12" | 78 cm<br>2' 6.70" | 92 cm<br>3' 0.22"  | 97 cm<br>3' 3.19"  | 140 x 20 x 92 cm<br>4' 7.12" x 7.87" x 3' 0.22"  |
| <b>MX-431/L</b>         | 27 kg<br>59.52 lb       | Acero<br>Steel       | Negro<br>Black  | 350 kg<br>771.62 lb | 133 cm<br>4' 4.36"     | 140 cm<br>4' 7.12" | 78 cm<br>2' 6.70" | 92 cm<br>3' 0.22"  | 138 cm<br>4' 6.33" | 140 x 23 x 92 cm<br>4' 7.12" x 9.06" x 3' 0.22"  |



**MX-435**



**MX-434**

**BOLSAS PORTA-CADENAS** CHAIN BAGS

Bolsas reforzadas con doble asa y base con tablero de doble capa.  
Reinforced chain bags with double handle & reinforced internal wooden base.



- 📏 35 kg
- M Nylon / Nylon
- Ø 25 cm
- C Negro / Black

**BLC-01**

📏 0,78 kg  
⬆️ 32 cm

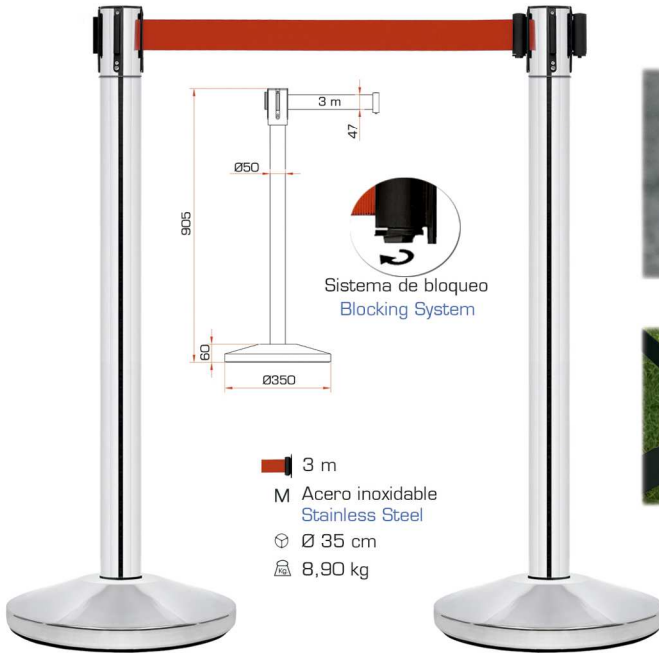
**BLC-05**

📏 1 kg  
⬆️ 53 cm



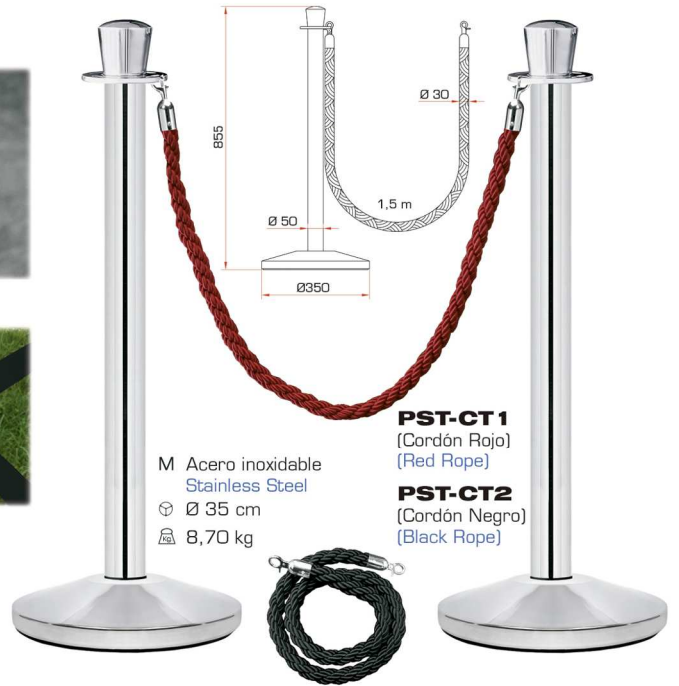
**PST-11** (Rojo/Red)

**PST-11/N** (Negro/Black)



- 3 m
- M Acero inoxidable  
Stainless Steel
- Ø 35 cm
- 8,90 kg

**PST-41** (Poste para cordón / Barrier Post for rope)

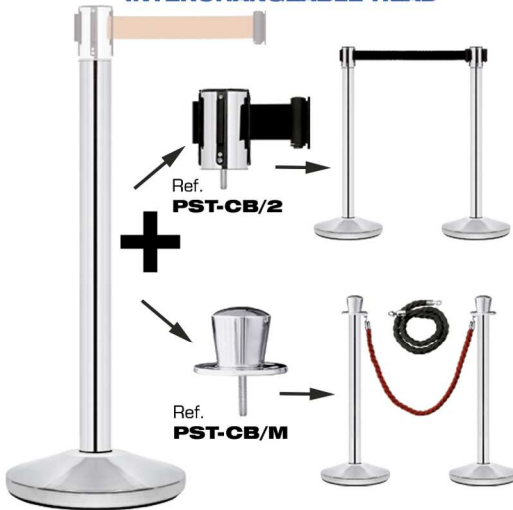


- M Acero inoxidable  
Stainless Steel
- Ø 35 cm
- 8,70 kg

**PST-CT1**  
(Cordón Rojo)  
(Red Rope)

**PST-CT2**  
(Cordón Negro)  
(Black Rope)

**CABEZAL INTERCAMBIABLE  
INTERCHANGEABLE HEAD**



**PST-CB/P** (Rojo/Red)  
**PST-CB/PN** (Negro/Black)



- 3 m
- M Acero inoxidable  
Stainless Steel
- 0,40 kg

CABEZAL DE PARED  
Incluye adaptador-pared ref. PST-CB/PL  
WALL - MOUNTED BARRIER  
Includes wall connector ref. PST-CB/PL



ADAPTADOR PORTA DOCUMENTOS para CATENARIAS  
Ref. PST-11 & PST-11/N

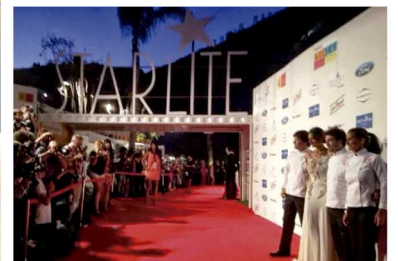
SIGN HOLDER ADAPTOR For PST-11 & PST-11/N  
Barrier Post



- M Acero inoxidable  
Stainless Steel
- 0,91 kg



KIT PARA COLGAR PANCARTAS EN LAS CATENARIAS PST-41 (Medidas: 2 m /1,5 m /1 m)  
KIT TO HANG PUBLICITY BANNERS ON PST-41 BARRIER POSTS (Dimensions: 2 m /1,5 m /1 m)



ESPECIFICACIONES TÉCNICAS TECHNICAL SPECIFICATIONS

|                |            |               |
|----------------|------------|---------------|
| Tubo principal | Main tubes | Ø 50 x 2,5 mm |
| Traviesas      | Braces     | Ø 18 x 2 mm   |
| Aleación       | Alloy      | EN-AW 6082 T6 |

MEDIDAS ESTÁNDAR STANDARD LENGTHS

| Ref.       | Medida / Length | Peso / Weight |
|------------|-----------------|---------------|
| TP300-500  | 500 mm          | 1,70 kg       |
| TP300-1000 | 1000 mm         | 2,80 kg       |
| TP300-2000 | 2000 mm         | 5,00 kg       |
| TP300-3000 | 3000 mm         | 7,25 kg       |



TRUSS PARALELO

**TP300**

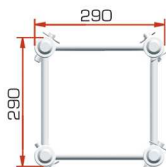
PARALLEL TRUSS

ESPECIFICACIONES TÉCNICAS TECHNICAL SPECIFICATIONS

|                |            |               |
|----------------|------------|---------------|
| Tubo principal | Main tubes | Ø 50 x 2 mm   |
| Traviesas      | Braces     | Ø 18 x 2 mm   |
| Aleación       | Alloy      | EN-AW 6082 T6 |

MEDIDAS ESTÁNDAR STANDARD LENGTHS

| Ref.        | Medida / Length | Peso / Weight |
|-------------|-----------------|---------------|
| TQN290-1000 | 1000 mm         | 6,45 kg       |
| TQN290-2000 | 2000 mm         | 10,10 kg      |
| TQN290-3000 | 3000 mm         | 14,60 kg      |



TRUSS CUADRADO

**TQN290**

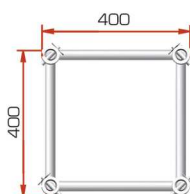
SQUARE TRUSS

ESPECIFICACIONES TÉCNICAS TECHNICAL SPECIFICATIONS

|                |            |               |
|----------------|------------|---------------|
| Tubo principal | Main tubes | Ø 50 x 2 mm   |
| Traviesas      | Braces     | Ø 25 x 2 mm   |
| Aleación       | Alloy      | EN-AW 6082 T6 |

MEDIDAS ESTÁNDAR STANDARD LENGTHS

| Ref.        | Medida / Length | Peso / Weight |
|-------------|-----------------|---------------|
| TQN400-1000 | 1000 mm         | 7,50 kg       |
| TQN400-2000 | 2000 mm         | 12,00 kg      |
| TQN400-3000 | 3000 mm </tr    |               |



TRUSS CUADRADO

**TQN400**

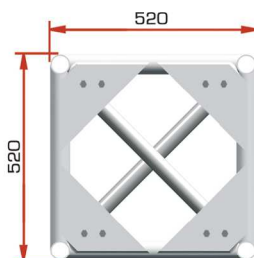
SQUARE TRUSS

ESPECIFICACIONES TÉCNICAS TECHNICAL SPECIFICATIONS

|                      |             |               |
|----------------------|-------------|---------------|
| Tubo principal       | Main tubes  | Ø 50 x 4 mm   |
| Traviesas            | Braces      | Ø 25 x 3 mm   |
| Traviesa Antitorsión | Inner Brace | Ø 25 x 3 mm   |
| Aleación             | Alloy       | EN-AW 6082 T6 |

MEDIDAS ESTÁNDAR STANDARD LENGTHS

| Ref.       | Medida / Length | Peso / Weight |
|------------|-----------------|---------------|
| TS520-1000 | 1000 mm         | 20,00 kg      |
| TS520-2000 | 2000 mm         | 28,00 kg      |
| TS520-3000 | 3000 mm         | 36,50 kg      |



SUPERTRUSS

**TS520**

SUPERTRUSS

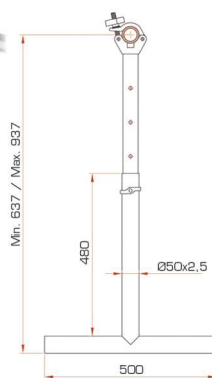
ACCESORIOS

ACCESSORIES

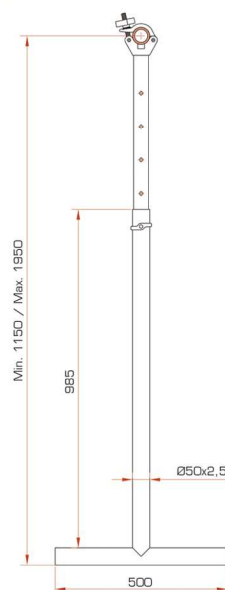
ADAPTADORES PANTALLAS  
SCREEN ADAPTERS



ADAPTADORES PARA LUZ/SONIDO  
SOUND & LIGHTING ADAPTERS



**TTL-01**  
**TTL-01/N**  
(Negro/Black)



**TTL-02**  
**TTL-02/N**  
(Negro/Black)



**CCQ-3**  
(3 m)