

TRIO29

Aluminium triangular truss

ISO DIN 4113 and TÜV certified.

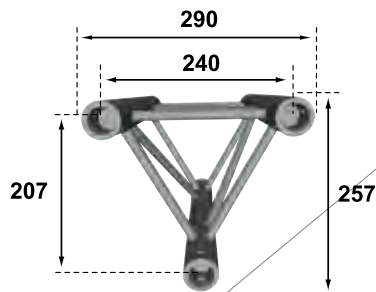
Made of 50mm aluminium alloy (EN AW 6082 T6, diameter 50 mm, thickness 2 mm) .

The conical connectors and pins allow you to set it up quickly, and guarantee a very safe, stable and resistant installation. Disassembling it is also very quick.

- Width 290 mm.
- Tube diameter: 50 mm, thread: 16 mm.

This structure is supplied with:

- 1 x connection kit per truss
- 1 x connection kit per 2-direction angle
- 2 x connection kit per 3, 4 and 5-direction angle



150

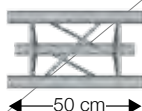
PT29-029

ref 4213



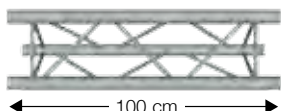
PT29-050

ref 3247



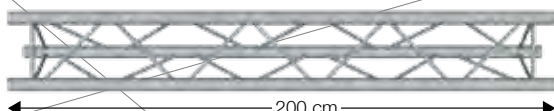
PT29-100

ref 3248



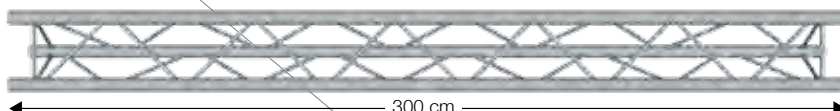
PT29-200

ref 3249



PT29-300

ref 3250








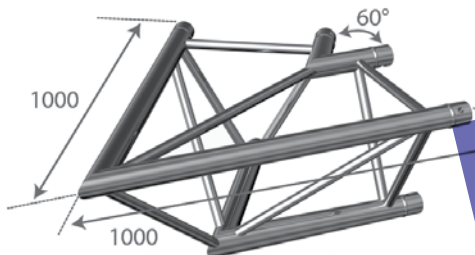
LENGTH (M)		2	4	6	8	10	12
Max load (center) (kg)		1016	503	329	240	185	147
Distortion (mm)		2,7	10,7	24,3	43,4	68,4	99,5
Max distributed load (kg/m)		783	251	110	60	37	25
Distortion (mm)		2,6	13,4	30,1	53,5	83,6	120,4

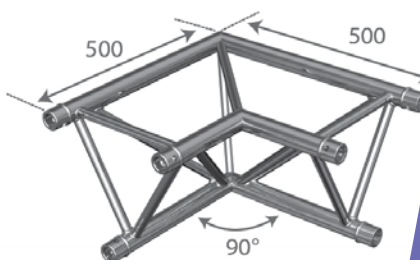
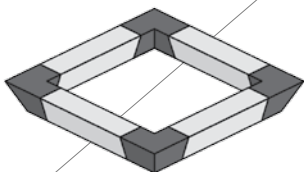
Table loads indicate the maximum load-bearing capacity between two fixation points. Centered and distributed loads cannot be cumulated. Talk to a qualified engineer for more information.



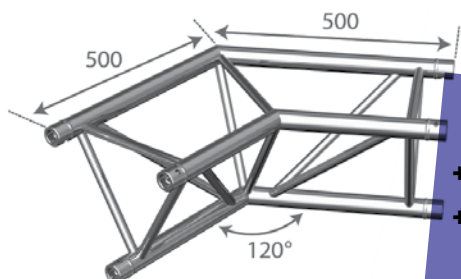
LES LIAISONS D'ANGLES



AG29-020
ref 7015
+ 290 mm angle
+ 2 directions 60°

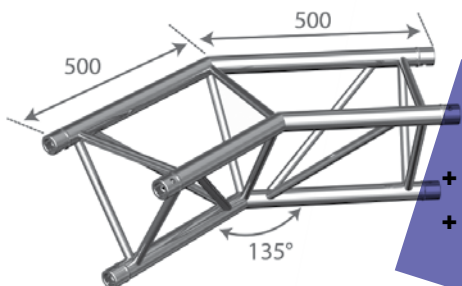


AG29-021
ref 3251
+ 290 mm angle
+ 2 directions 90°

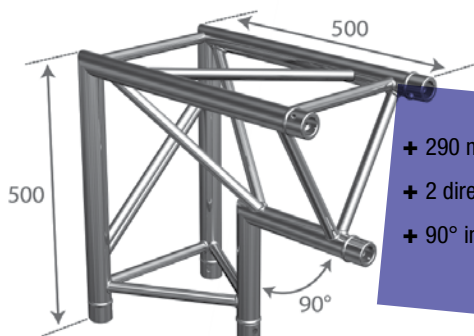
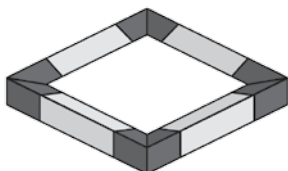


AG29-022
ref 7016
+ 290 mm angle
+ 2 directions 120°

151



AG29-023
ref 3252
+ 290 mm angle
+ 2 directions 135°



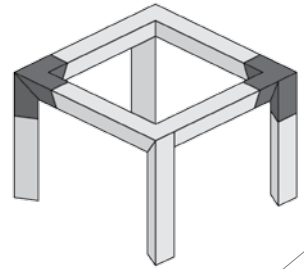
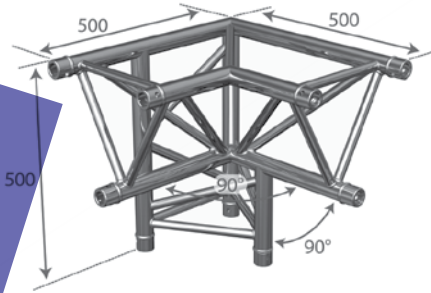
AG29-025
ref 3253
+ 290 mm angle
+ 2 directions
+ 90° inner vertex

ANGLE CONNECTION KITS

AG29-033

ref 3254

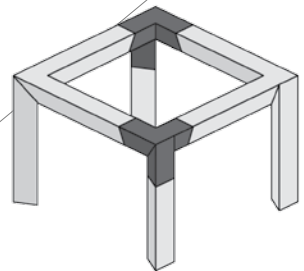
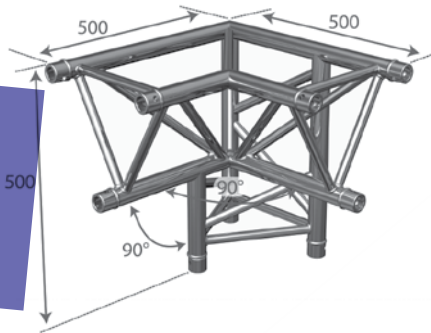
- + 290 mm angle
- + 3 directions
- + 90° low right-hand apex



AG29-034

ref 3255

- + 290 mm angle
- + 3 directions
- + 90° low left-hand apex

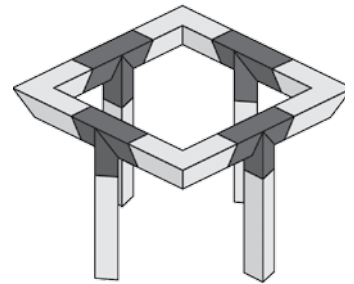
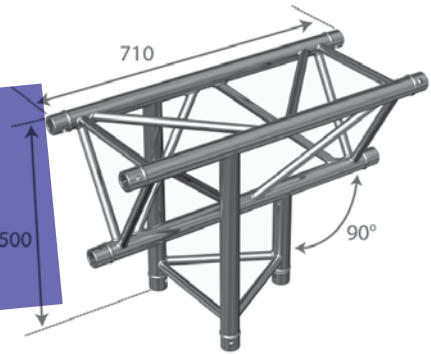


152

AG29-035

ref 3256

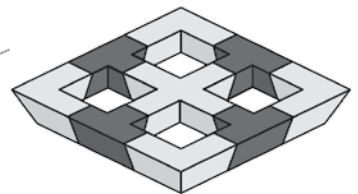
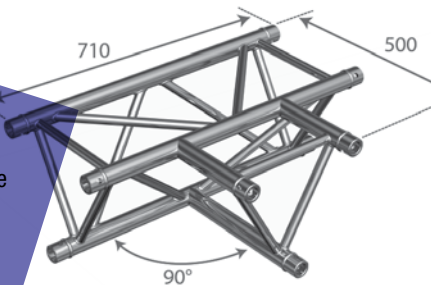
- + 290 mm vertical Tee
- + 3 directions low apex



AG29-036

ref 3257

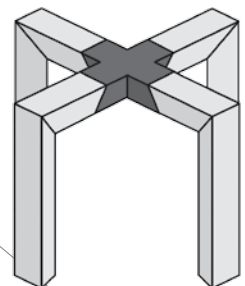
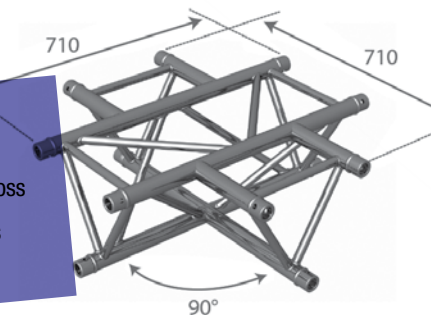
- + 290 mm horizontal Tee
- + 3 directions



AG29-041

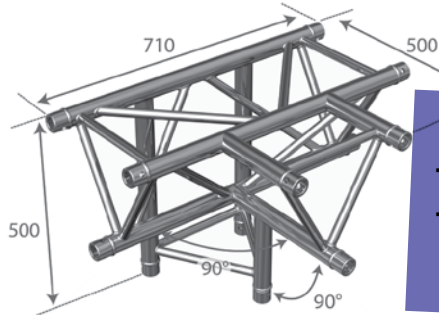
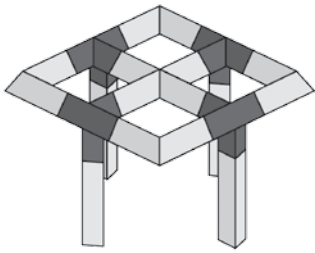
ref 3258

- + 290 mm cross
- + 4 directions



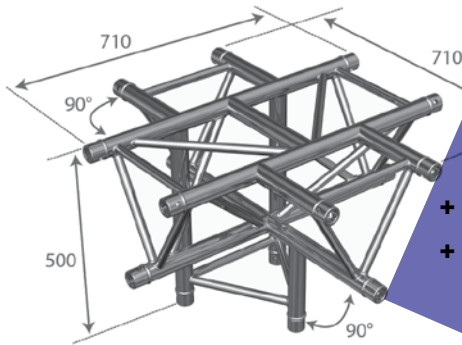
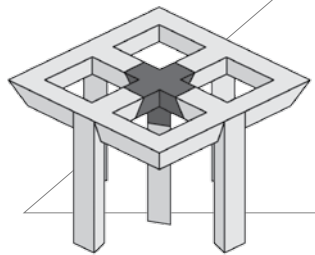


ANGLE CONNECTION KITS



AG29-042
ref 3259

- + 290 mm Tee
- + 4 directions low apex



AG29-053
ref 4212

- + 290 mm angle
- + 4 directions + leg

TRIO ACCESSORIES

MC29-KIT

ref 3261



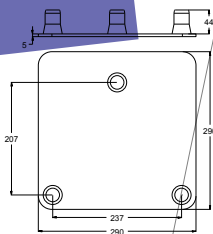
+ 3 connectors, 6 pins and 6 safety pins kit

EM29-B3

ref 8884



+ Baseplate with connectors for a 290 triangular structure



TRIO29
EXPO
Triangular aluminium truss