

### KEY FEATURES

- High power handling: 250 / 40 W<sub>AES</sub> (LF / HF)
- High sensitivity: 97 / 102 dB (LF / HF)
- Extended and linear frequency response
- Low resonant frequency: 63 Hz
- Low weight (Neodymium compression driver)
- 2,5" aluminium voice coil
- Waterproof LF cone
- Polyester diaphragm
- 70° coverage horn for HF dispersion control
- Designed for compact bass-reflex cabinets

### TECHNICAL SPECIFICATIONS

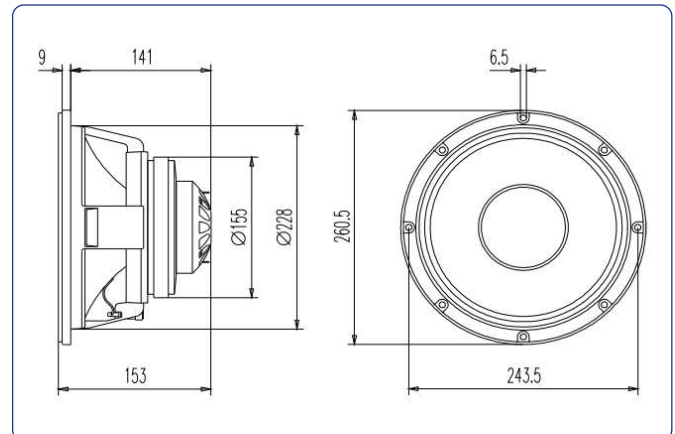
Nominal diameter	250 mm	10 in
Rated impedance (LF/HF)	8 / 16 Ω	
Minimum impedance (LF/HF)	6,5 / 10 Ω	
Power capacity* (LF/HF)	250 / 40 W <sub>AES</sub>	
Program power (LF/HF)	500 / 80 W	
Sensitivity (LF/HF**)	97 dB	1W / 1m @ Z <sub>N</sub>
	102 dB	1W / 1m @ Z <sub>N</sub>
Frequency range	60 - 20.000 Hz	
Recom. HF crossover	1,5 kHz or higher (12 dB/oct min slope)	
Voice coil diameter (LF/HF)	63,5 mm	2,5 in
	44,45 mm	1,75 in
BL factor	13,8 N/A	
Moving mass	0,031 kg	
Voice coil length	17 mm	
Air gap height	7 mm	
X <sub>damage</sub> (peak to peak)	24 mm	

### THIELE-SMALL PARAMETERS\*\*\*

Resonant frequency, f <sub>s</sub>	63 Hz
D.C. Voice coil resistance, R <sub>e</sub>	6,1 Ω
Mechanical Quality Factor, Q <sub>ms</sub>	6,3
Electrical Quality Factor, Q <sub>es</sub>	0,40
Total Quality Factor, Q <sub>ts</sub>	0,38
Equivalent Air Volume to C <sub>ms</sub> , V <sub>as</sub>	41 l
Mechanical Compliance, C <sub>ms</sub>	200 μm / N
Mechanical Resistance, R <sub>ms</sub>	2 kg / s
Efficiency, η <sub>0</sub>	2,5 %
Effective Surface Area, S <sub>d</sub>	0,038 m <sup>2</sup>
Maximum Displacement, X <sub>max</sub> ****	5 mm
Displacement Volume, V <sub>d</sub>	190 cm <sup>3</sup>
Voice Coil Inductance, L <sub>e</sub> @ 1 kHz	0,4 mH



### DIMENSION DRAWINGS



### MOUNTING INFORMATION

Overall diameter	260,5 mm	10,26 in
Bolt circle diameter	243,5 mm	9,59 in
Baffle cutout diameter:		
- Front mount	288 mm	8,98 in
Depth	153 mm	6,02 in
Net weight	5,1 kg	11,22 lb
Shipping weight	5,9 kg	12,98 lb

#### Notes:

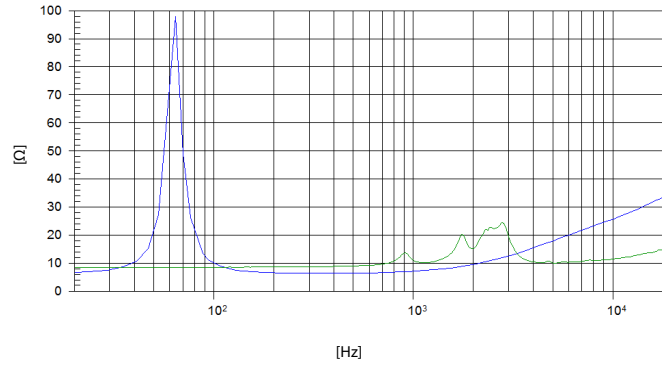
\* The power capacity is determined according to AES2-1984 (r2003) standard. Program power is defined as the transducer's ability to handle normal music program material.

\*\* Sensitivity was measured at 1m distance, on axis, with 1W input, averaged in the range 1 - 6 kHz.

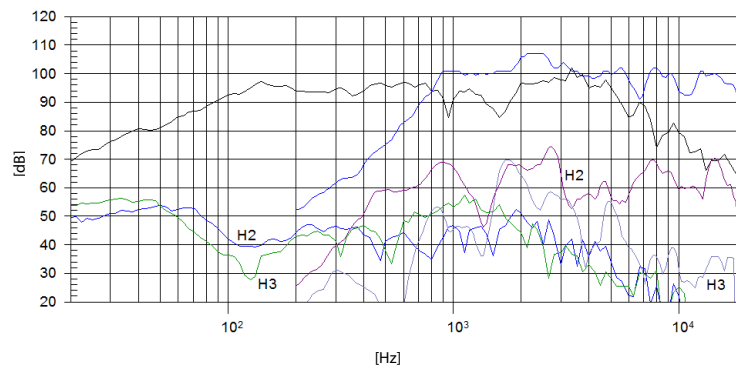
\*\*\* T-S parameters are measured after an exercise period using a preconditioning power test. The measurements are carried out with a velocity-current laser transducer and will reflect the long term parameters (once the loudspeaker has been working for a short period of time).

\*\*\*\* The X<sub>max</sub> is calculated as (L<sub>vc</sub> - H<sub>ag</sub>)/2 + (H<sub>ag</sub>/3,5), where L<sub>vc</sub> is the voice coil length and H<sub>ag</sub> is the air gap height.

## FREE AIR IMPEDANCE CURVE

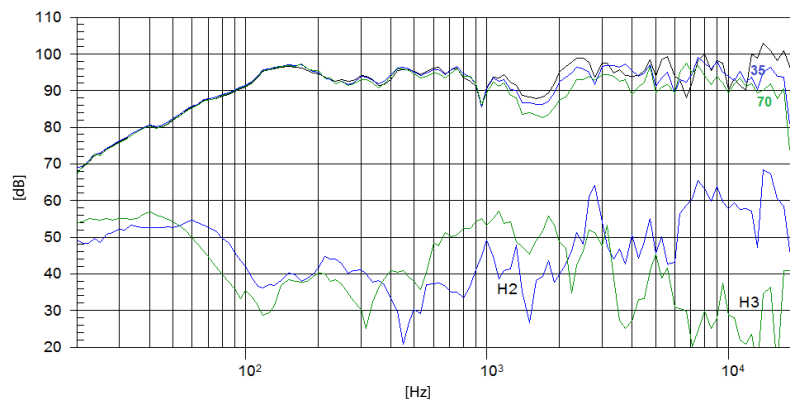


## FREQUENCY RESPONSE



**Note:** On axis frequency response measured with loudspeaker standing on infinite baffle in anechoic chamber, 1W @ 1m

## FILTERED FREQUENCY RESPONSE



**Note:** Filtered frequency response measured with loudspeaker standing on infinite baffle in anechoic chamber, 1W @ 1m with FD-2XC2