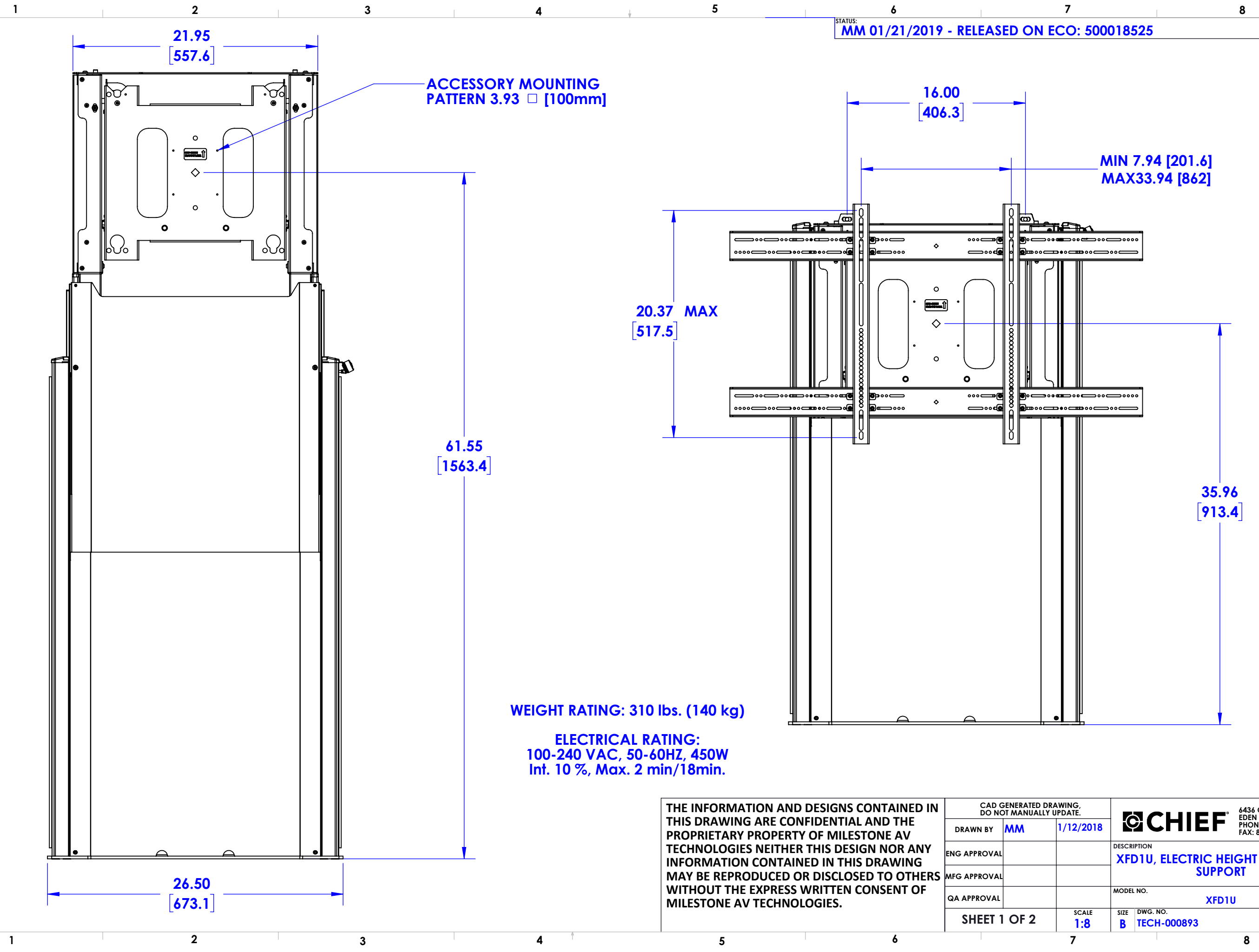


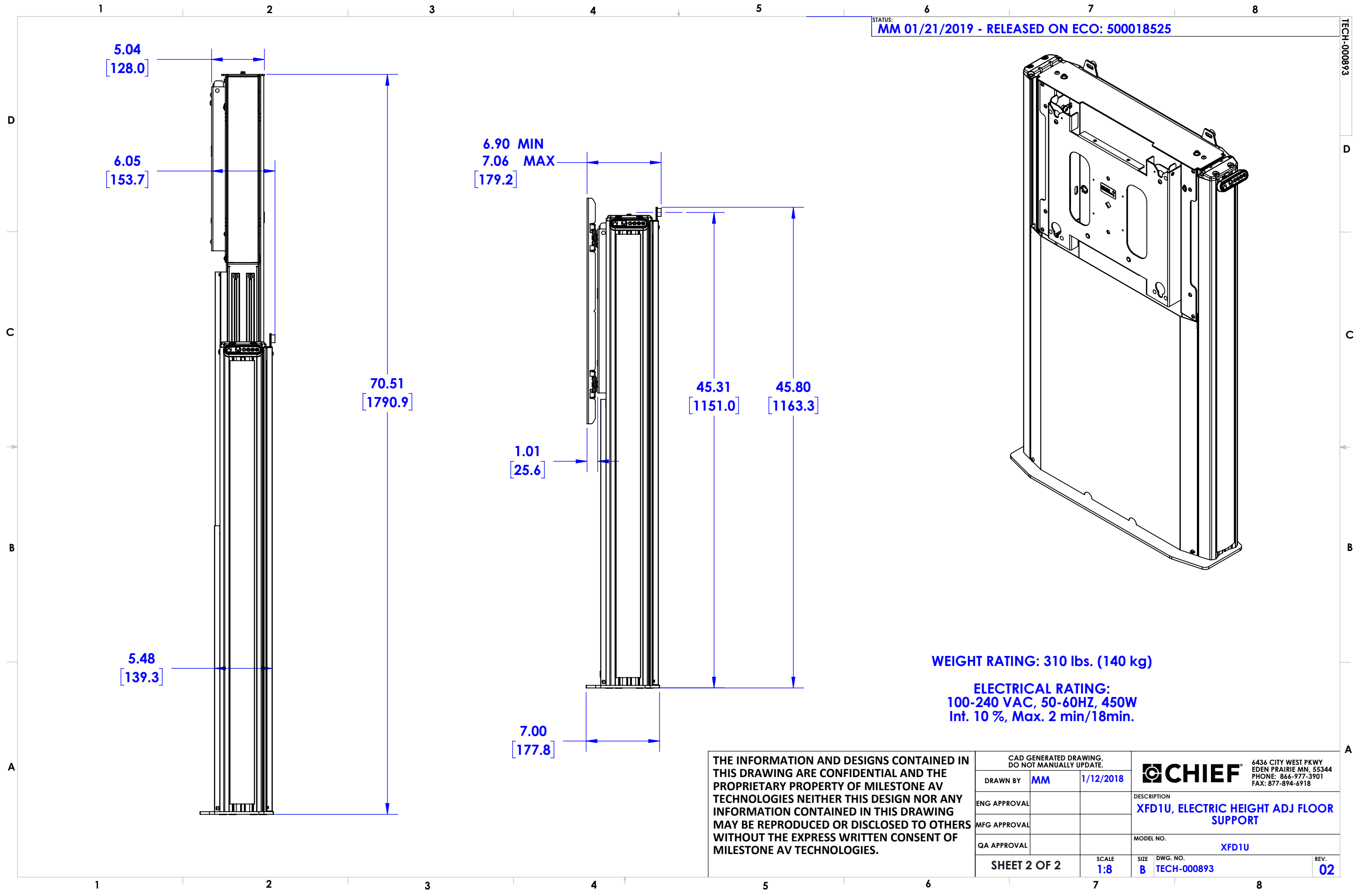
**WEIGHT RATING: 310 lbs. (140 kg)**

**ELECTRICAL RATING:**  
 100-240 VAC, 50-60HZ, 450W  
 Int. 10 %, Max. 2 min/18min.

THE INFORMATION AND DESIGNS CONTAINED IN THIS DRAWING ARE CONFIDENTIAL AND THE PROPRIETARY PROPERTY OF MILESTONE AV TECHNOLOGIES NEITHER THIS DESIGN NOR ANY INFORMATION CONTAINED IN THIS DRAWING MAY BE REPRODUCED OR DISCLOSED TO OTHERS WITHOUT THE EXPRESS WRITTEN CONSENT OF MILESTONE AV TECHNOLOGIES.

CAD GENERATED DRAWING, DO NOT MANUALLY UPDATE.			<b>CHIEF</b> 6436 CITY WEST PKWY EDEN PRAIRIE MN, 55344 PHONE: 866-977-3901 FAX: 877-894-6918
DRAWN BY	MM	1/12/2018	
ENG APPROVAL			DESCRIPTION <b>XFD1U, ELECTRIC HEIGHT ADJ FLOOR SUPPORT</b>
MFG APPROVAL			MODEL NO. <b>XFD1U</b>
QA APPROVAL			SIZE DWG. NO. <b>B TECH-000893</b>
SHEET 1 OF 2			REV. <b>02</b>





**WEIGHT RATING: 310 lbs. (140 kg)**

**ELECTRICAL RATING:  
100-240 VAC, 50-60HZ, 450W  
Int. 10 %, Max. 2 min/18min.**

THE INFORMATION AND DESIGNS CONTAINED IN THIS DRAWING ARE CONFIDENTIAL AND THE PROPRIETARY PROPERTY OF MILESTONE AV TECHNOLOGIES NEITHER THIS DESIGN NOR ANY INFORMATION CONTAINED IN THIS DRAWING MAY BE REPRODUCED OR DISCLOSED TO OTHERS WITHOUT THE EXPRESS WRITTEN CONSENT OF MILESTONE AV TECHNOLOGIES.

CAD GENERATED DRAWING, DO NOT MANUALLY UPDATE.				6436 CITY WEST PKWY EDEN PRAIRIE MN, 55344 PHONE: 866-977-3901 FAX: 877-894-6918	
DRAWN BY	MM	1/12/2018		DESCRIPTION <b>XFD1U, ELECTRIC HEIGHT ADJ FLOOR SUPPORT</b>	
ENG APPROVAL			MODEL NO. <b>XFD1U</b>		
MFG APPROVAL			SIZE	DWG. NO.	REV.
QA APPROVAL			<b>B</b>	<b>TECH-000893</b>	<b>02</b>
SHEET 2 OF 2			SCALE		
			<b>1:8</b>		