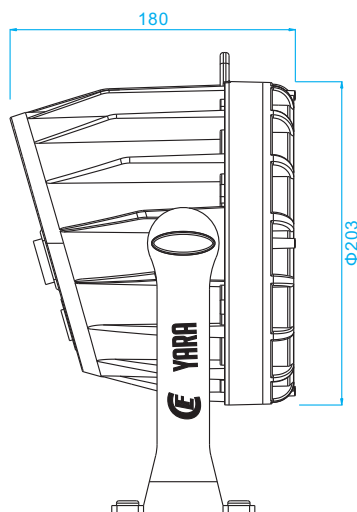
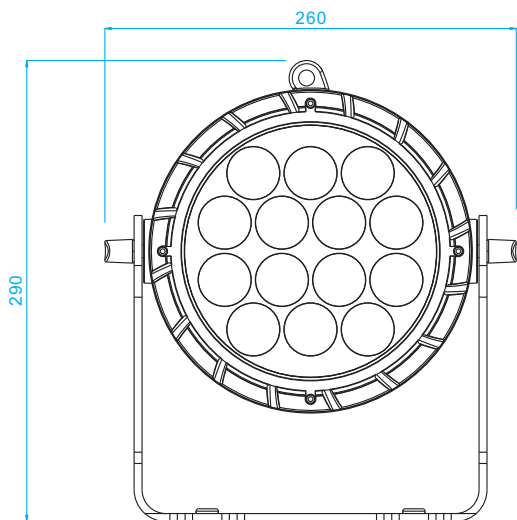
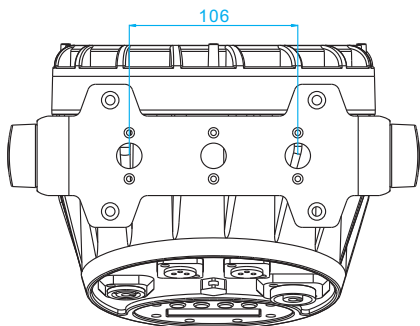


TABLE OF CONTENTS

| | |
|---|-----------|
| Dimensions | 1 |
| Safety Information | 2 |
| Fixture overview | 4 |
| Introduction | 5 |
| AC power | 5 |
| Power voltage | 5 |
| Power cables | 5 |
| Relaying power to other devices | 6 |
| Data link | 6 |
| Tips for reliable data transmission | 6 |
| Physical installation | 7 |
| Fastening the fixture to a flat surface | 7 |
| Setup | 8 |
| Control panel and menu navigation | 8 |
| DMX address setting | 8 |
| Control Mode | 8 |
| Static Color options | 9 |
| Auto Show | 10 |
| Master / Slave | 10 |
| Personality | 11 |
| Dimmer Speed | 11 |
| Key-Lock | 11 |
| Calibration | 11 |
| Refresh rate | 11 |
| LCD brightness | 11 |
| Information | 11 |
| Software type | 11 |
| Usage time | 11 |
| Temperature | 11 |
| UID | 11 |
| Factory reset | 11 |
| DMX protocols | 12 |
| Onboard control menus | 15 |
| Blow-out Diagram | 16 |
| Specifications | 17 |
| IP65 | 18 |

DIMENSIONS

ALL DIMENSIONS ARE IN MILLIMETERS



SAFETY INFORMATION



WARNING!

Read the safety precautions in this section before installing, powering, operating or servicing this product

The following symbols are used to identify important safety information on the product and in this manual:



DANGER!
Safety hazard.
Risk of severe injury or death.



DANGER!
Hazardous voltage. Risk of lethal or severe electric shock.



WARNING!
Fire hazard.



WARNING!
LED light emission. Risk of eye injury.



WARNING!
Burn hazard. Hot surface. Do not touch.



WARNING!
Wear protective eyewear.



WARNING!
Refer to user manual.



Warning! Risk Group 3 (high risk) LED product according to EN 62471. Do not look into the beam at a distance of less than 3 meters from the front surface of the product. Do not view the light output with optical instruments or any device that may concentrate the beam.

This product is for professional use only. It is not for household use.



This product presents risks of severe injury or death due to fire and burn hazards, electric shock and falls.

Read this manual before installing, powering or servicing the fixture, follow the safety precautions listed below and observe all warnings in this manual and printed on the fixture. If you have questions about how to operate the fixture safely, please contact your supplier.



PROTECTION FROM ELECTRIC SHOCK

- Disconnect the fixture from AC power before removing or installing any cover or part and when not in use.
- Always ground (earth) the fixture electrically.
- Use only a source of AC power that complies with local building and electrical codes and has both overload and ground-fault (earth-fault) protection.
- Before using the fixture, check that all power distribution equipment and cables are in perfect condition and rated for the current requirements of all connected devices.
- Power input and through out cables must be rated 20A minimum, have three conductors 1.5 mm² (16 AWG) minimum conductor size and an outer cable diameter of 5 - 15 mm . Cables must be hard usage type (SJT or equivalent) and heat-resistant to 90° C minimum.
- Use only PowerCON TRUE 1[®] cable connectors to connect to power input sockets. Use only PowerCON TRUE 1[®] cable connectors to connect to power through put sockets.
- Isolate the fixture from power immediately if the power plug or any seal, cover, cable, or other component is damaged, defective, deformed, wet or showing signs of overheating. Do not reapply power until repairs have been completed.



DO NOT EXPOSE THE FIXTURE TO RAIN OR MOISTURE

- Refer any service operation not described in this manual to a qualified technician.
- Socket outlets used to supply the fixture with power or external power switches must be located near the fixtures and easily accessible so that the fixtures can easily be disconnected from power.

PROTECTION FROM BURNS AND FIRE



- Do not operate the fixture if the ambient temperature (T_a) exceeds 40°C.
- The exterior of the fixture becomes hot during use. Avoid contact by persons and materials. Allow the fixture to cool for at least 10 minutes before handling.
- Keep all combustible materials (e.g. fabric, wood, paper) at least 100 mm away from the fixture.
- Keep flammable materials well away from the fixture.



- Ensure that there is free and unobstructed airflow around the fixture.
- Do not illuminate surfaces within 200 mm of the fixture.
- Do not attempt to bypass thermostatic switches or fuses.
- If you relay power from one fixture to another using power throughput sockets, do not connect more than ten the fixture in total to each other in an interconnected chain.
- Connect only other the fixture to fixture power output sockets. Do not connect any other type of device to these sockets.
 - Do not connect any other type of device to these sockets.
- Do not stick filters, masks or other materials onto any optical component.
- Do not modify the fixture in any way not described in this manual
- Do not use fixture on a dimmer

PROTECTION FROM INJURY



- Do not look continuously at LEDs from a distance of less than 3 meters from the front surface of the fixture without protective eyewear such as shade 4-5 welding goggles. At less than this distance, the LED emission can cause eye injury or irritation. At distances of 3 meters and above, light output is harmless to the naked eye provided that the eye's natural aversion response is not overcome.



- Do not look at LEDs with magnifiers, telescopes, binoculars or similar optical instruments that may concentrate the light output.
- Ensure that persons are not looking at the LEDs from within 3 meters when the product lights up suddenly. This can happen when power is applied, when the product receives a DMX signal, or when SERVICE menu items are selected.



- Fasten the fixture securely to a fixed surface or structure when in use.
- Ensure that any supporting structure and/or hardware used can hold at least 10 times the weight of all the devices they support.
- Allow enough clearance around the fixture to ensure that it cannot collide with an object or another fixture when it moves.
- Check that all external covers and rigging hardware are securely fastened.
- Block access below the work area and work from a stable platform whenever installing, servicing or moving the fixture.
- Do not operate the fixture with missing or damaged covers, shields or any optical component.

FIXTURE OVERVIEW

5P DMX input
3 P DMX input (optional)
CLF-13-453

5P DMX output
3P DMX output (optional)
CLF-13-454

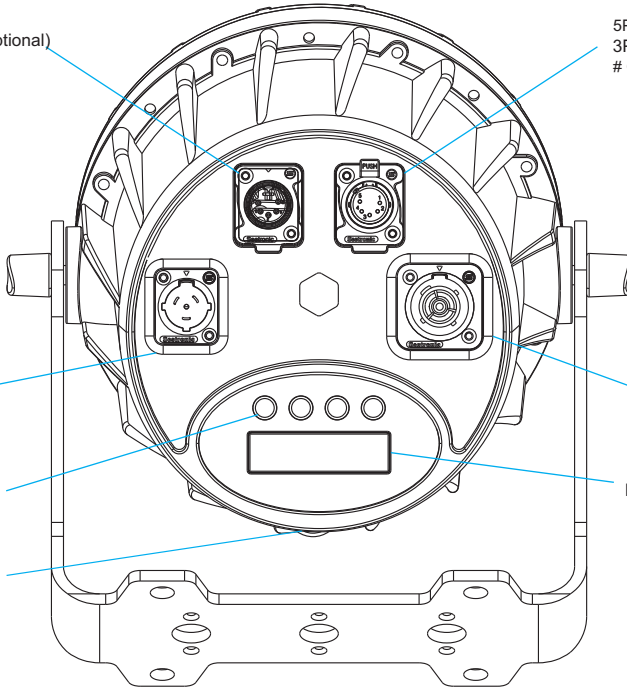
AC mains power
input

AC mains power
output

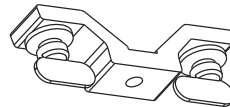
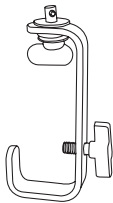
Control buttons

LCD Display

Safety cable
attachment point



G Clamp with
Quicklock # 875760
(Optional)



Omega bracket with
Quicklock # 520114
(Optional)

INTRODUCTION

OUTDOOR RGBW LED FIXTURE

AFFORDABLE LIGHTING ESSENTIAL

- Unique bracket design
- Touring proof
- Smooth RGBW color mixing
- Ip65 rating
- Silent operation
- Smooth projection
- Powercon true 1[®] in & out
- RDM ready



USING FOR THE FIRST TIME

Warning! Read “Safety Information” on page 2 before installing, powering, operating or servicing the fixture. Before applying power to the fixture:

- Check that the local AC mains power source is within the fixture's power voltage and frequency ranges.
- See “Power cables and power plug” on page 6. Install a PowerCON TRUE 1[®] power input connector on a suitable power cable.

AC POWER



Warning! Read “Safety Information” starting on page 2 before connecting the fixtures to AC mains power.

Warning! For protection from electric shock, the fixture must be grounded (earthed). The power distribution circuit must be equipped with a fuse or circuit breaker and ground-fault (earth-fault) protection.

Warning! Socket outlets or external power switches used to supply the fixture with power must be located near the fixture and easily accessible so that the fixtures can easily be disconnected from power.



Important! Do not insert or remove live PowerCON TRUE 1[®] connectors to apply or cut power, as this may cause arcing at the terminals that will damage the connectors.

Important! Do not use an external dimming system to supply power to the fixture, as this may cause damage to the fixture that is not covered by the product warranty.

The fixture can be hard-wired to a electrical installation if you want to install it permanently, or a power plug that is suitable for the local power outlets can be installed on the power cable.

POWER VOLTAGE



Warning! Check that the voltage range specified on the fixtures serial number label matches the local AC mains power voltage before applying power to the fixture.

The fixtures accepts AC mains power at 100-240 V nominal, 50/60 Hz. Do not apply AC mains power to the fixture at any other voltage than specified.

POWER CABLES

Power input and output cables must be rated 20A minimum, have three conductors 1.5 mm² (16 AWG) minimum conductor size and an outer cable diameter of 5 - 15 mm. Cables must be hard usage type (SJT or equivalent) and heat-resistant to 90°C minimum. In the EU the cable must be HAR approved or equivalent.

If you install a power plug on the power cable, install a grounding-type (earthed) plug that is rated 20A minimum. Follow the plug manufacturer's instructions. Table 1 shows standard wire color-coding schemes and some possible pin identification schemes; if pins are not clearly identified.

| Wire Color (EU models) | Wire Color (US models) | Conductor | Symbol | Screw (US) |
|------------------------|------------------------|----------------|--------|-----------------|
| Brown | Black | Live | L | Yellow or Brass |
| Blue | White | Neutral | N | Silver |
| Yellow/Green | Green | Ground (earth) | ⊕ or ≍ | Green |

Table 1 : Wire color-coding and power connections

RELAYING POWER TO OTHER DEVICES



Warning! Do not connect more than ten fixtures in total to AC mains power in one interconnected chain. Power can be relayed to another device via the PowerCON TRUE 1[®] output socket.

If you daisy chain the fixtures in a chain so that they all draw AC mains power via the first fixture, certain points must be respected:

- A heavy duty, three-conductor, 16 AWG or 1.5 mm² cable with SJT or equivalent cable jacket must be used to connect the first fixture to AC mains power.
- PowerCON TRUE 1[®] connectors must be used to draw AC mains power from the fixtures power output sockets and yellow PowerCON TRUE 1[®] connectors must be used to supply power at the fixture's power input sockets.
- No matter what the AC mains power voltage is, do not connect more than 10 fixtures in total (i.e. including the first fixture) to AC mains power in one interconnected daisy chain using power input and through out connectors.

DATA LINK

A DMX 512 data link is required in order to control a fixture via DMX. The fixture has 5-pin XLR connectors for DMX data input and output. The pin-out on all connectors is pin 1 = shield, pin 2 = cold (-), and pin 3 = hot (+) Pins 4 and 5 in the 5-pin XLR connectors are not used.

TIPS FOR RELIABLE DATA TRANSMISSION

To connect the fixture to data:

1. Connect the DMX data output from the controller to 5-pin XLR connector of the nearest fixture.
2. Connect the DMX output of the fixture closest to the controller to the DMX input of the next fixture and continue connecting fixtures output to input.
3. Do not connect more than 32 fixtures to 1 DMX output.

PHYSICAL INSTALLATION



Warning! The fixture must be either fastened to a flat surface such as a stage or wall, or clamped to a truss or similar structure in any orientation using a rigging clamp.

Warning! If the fixture can cause injury or damage if it falls, attach an approved safety cable to one of the safety cable attachment points on the base (see "Fixture overview" on page 4).

Check that all surfaces to be illuminated are minimum 200 mm. from the fixture, that combustible materials (wood, fabric, paper, etc.) are minimum 100 mm. from the fixture, that there is free airflow around the fixture and that there are no flammable materials nearby.

FASTENING THE FIXTURE TO A FLAT SURFACE

The fixture can be fastened to a fixed flat surface that is oriented at any angle. Check that the surface can support at least 10 times the weight of all fixtures and equipment to be installed on it.



Warning! The supporting surface must be hard and flat or cooling may be blocked, which will cause overheating. Fasten the fixture securely. Do not stand it on a surface or leave it where it can be moved or can fall over. Attach a securely anchored safety cable to the safety cable attachment point (see "Fixture overview" on page 4) if the fixture is to be installed in any location where it may fall and cause injury or damage if the primary attachment fails.

1. Block access under the work area. Working from a stable platform, hang the fixture on the truss with the arrow on the base towards the area to be illuminated. Tighten the rigging clamp.
2. Secure the fixture against clamp failure with a secondary attachment such as an approved safety cable that is rated for the weight of the fixture using one of the attachment points at the edges of the base (see "Fixture overview" on page 4). Do not use any other part of the fixture as a safety cable attachment point.

SETUP



Warning! Read "Safety Information" on page 2 before installing, powering, operating the fixture.

CONTROL PANEL AND MENU NAVIGATION

The onboard control panel and backlit graphic display are used to set the fixture's DMX address, configure individual fixture settings (personality), read out data and execute service utilities. See "Onboard control menus" on page 15 for a complete list of menus and commands.

Using the control buttons

- To enter the menu select [MODE].
- Press [UP] and [DOWN] to scroll within a menu or adjust values.
- To enter a menu, select a function or apply a selection, press [ENTER].
- To escape a function or move back one level in the menu structure, press [MODE].
- Holding down the "UP" and "DOWN" button for more than 3 seconds, the MENU display will rotate 180°.



DMX ADDRESS SETTING

The DMX address, also known as the start channel, is the first channel used to receive instructions from the controller. For independent control, each fixture must be assigned its to a separate channel .

The DMX address can be configured by using the DMX ADDRESS menu in the control panel. For setting the DMX address press [ENTER] before you can change the address.

- In order to check if there is a DMX signal present on the fixture you can easy see that via the big ,DOT' on the main screen and also when the backlight function is switched to off.
- The fixture is fully RDM ready. So when you are using a RDM ready console you can address the unit and read out its complete status. For RDM functions please refer to the ANSI/ESTA E1.20-2006 standard

CONTROL MODE

DMX control mode is selected in the CONTROL MODE menu. The fixture has 6 DMX control modes:

| | 4ch | 6ch | 7ch | 11ch |
|----------------------|-----|-----|-----|------|
| Dimmer | | ✓ | ✓ | ✓ |
| RGBW | ✓ | ✓ | ✓ | ✓ |
| Strobe | | ✓ | ✓ | ✓ |
| CCT | | | ✓ | ✓ |
| Macro color | | | | ✓ |
| Effect | | | | ✓ |
| Dimmer /Effect speed | | | | ✓ |
| Function set | | | | ✓ |

| | HSV | HSI |
|------------|-----|-----|
| Hue | ✓ | ✓ |
| Saturation | ✓ | ✓ |
| Value | ✓ | |
| Intensity | | ✓ |

STATIC COLOR OPTIONS

There are three options for static color:

FIXED COLOR

Several options from combined RGBW values. Use Up and Down to scroll through the options.

| | | |
|------------------|-------------------------|---------------------------------|
| R = Red | RB = Red & Blue | BW = Red & White |
| G = Green | GB = Green & Blue | RGW = Red, Green & White |
| B = Blue | RGB = Red, Green & Blue | RBW = Red, Blue & White |
| W = White | RW = Red & White | GBW = Green, Blue & White |
| RG = Red & Green | GW = Green & White | RGBW = Red, Green, Blue & White |

WHITE PRESETS

Easy color choice between 2000K (warm white) to 8000K (cold white)

| | | | |
|-----------------|-----------|----------|-----------|
| 2000K = 255 Red | 135 Green | 0 Blue | 35 White |
| 3000K = 255 Red | 165 Green | 0 Blue | 135 White |
| 4000K = 255 Red | 180 Green | 28 Blue | 220 White |
| 5000K = 255 Red | 200 Green | 80 Blue | 255 White |
| 6000K = 255 Red | 220 Green | 120 Blue | 255 White |
| 7000K = 255 Red | 230 Green | 145 Blue | 255 White |
| 8000K = 255 Red | 235 Green | 165 Blue | 255 White |

MANUAL COLOR

Mix your own color with each RGBW value separately.

| | | |
|-------|-----------|--------------|
| Red | <000-255> | Dimmer Red |
| Green | <000-255> | Dimmer Green |
| Blue | <000-255> | Dimmer Blue |
| White | <000-255> | Dimmer White |

AUTO SHOW

The auto function gives 10 auto programs and 10 custom programs RGBW color combinations which are working without any DMX console. Hit [ENTER] to adjust the speed of the Auto program from 1-20.

| | | | |
|-------------|-------------------------|----------------|----------------|
| 1) Auto 1 | Auto program 1 | 11) Program 1 | pre-program 1 |
| 2) Auto 2 | Auto program 2 | 12) Program 2 | pre-program 2 |
| 3) Auto 3 | Auto program 3 | 13) Program 3 | pre-program 3 |
| 4) Auto 4 | Auto program 4 | 14) Program 4 | pre-program 4 |
| 5) Auto 5 | Auto program 5 | 15) Program 5 | pre-program 5 |
| 6) Auto 6 | Auto program 6 | 16) Program 6 | pre-program 6 |
| 7) Auto 7 | Auto program 7 | 17) Program 7 | pre-program 7 |
| 8) Auto 8 | Auto program 8 | 18) Program 8 | pre-program 8 |
| 9) Auto 9 | Auto program 9 | 19) Program 9 | pre-program 9 |
| 10) Auto 10 | Auto program 1-10 cycle | 20) Program 10 | pre-program 10 |

MASTER/SLAVE

You can choose between Master or slave functioning. The chosen mode is visible in the homescreen. The fixture will automatically go to slave function when no DMX signal is offered.

PERSONALITY

Here you can set all functions for the fixture.

| | |
|----------------|--|
| Dimmer Speed | Normal (normal dimming speed) |
| | Smooth (slowest dimming speed) |
| KEY-Lock | Locks all the button functions. Standard unlocking password is (MENU+UP+MENU+DOWN+MENU+UP+MENU+DOWN+ENTER) |
| Calibration | MANUAL calibration mode ON/OFF |
| Refresh rate | Controls the Flicker frequency of the fixture |
| | 600 |
| | 1200 |
| | 2400 |
| LCD brightness | 4800 |
| | Set the LCD display brightness (1-10) |

INFORMATION

| | |
|---------------|--|
| Software type | Shows software version (Vx.x) |
| Usage time | Use of time and use time reset (password) |
| Temperature | LED board current temperature |
| UID | Shows the unique ID for the RDM protocol. <0x02E20002xxxx> |

FACTORY RESET

Resets the fixture to its factory default settings.
Please reboot power before reset takes effect.

DMX PROTOCOLS

| HSV | Function | Value | Setting | Remark |
|-----|------------|-----------|----------|--------|
| 1 | Hue | 000 - 255 | 0 - 100% | |
| 2 | Saturation | 000 - 255 | 0 - 100% | |
| 3 | Value | 000 - 255 | 0 - 100% | |

Note: In HSV mode, Hue stands for the visible light, such as red, yellow, and cyan, etc. Saturation refers to the dominance of hue in the color; when saturation is at 100%, then the color is at its purest. Value is the color's brightness; when value is at 100%, then the color is at its brightest.

| HSI | Function | Value | Setting | Remark |
|-----|------------|-----------|----------|--------|
| 1 | Hue | 000 - 255 | 0 - 100% | |
| 2 | Saturation | 000 - 255 | 0 - 100% | |
| 3 | Intensity | 000 - 255 | 0 - 100% | |

| 4 CH | Function | Value | Setting | Remark |
|------|----------|-----------|----------|--------|
| 1 | Red | 000 - 255 | 0 - 100% | |
| 2 | Green | 000 - 255 | 0 - 100% | |
| 3 | Blue | 000 - 255 | 0 - 100% | |
| 4 | White | 000 - 255 | 0 - 100% | |

| 6 CH | Function | Value | Setting | Remark |
|-----------|--|-----------|--|--------|
| 1 | Dimmer | 000 - 255 | 0 - 100% | |
| 2 | Red | 000 - 255 | 0 - 100% | |
| 3 | Green | 000 - 255 | 0 - 100% | |
| 4 | Blue | 000 - 255 | 0 - 100% | |
| 5 | White | 000 - 255 | 0 - 100% | |
| 6 | Shutter | 000 - 024 | Shutter open | |
| | | 025 - 064 | Strobe 1 (fast → slow) | |
| | | 065 - 069 | Shutter open | |
| | | 070 - 084 | Strobe 2: opening pulse (fast → slow) | |
| | | 085 - 089 | Shutter open | |
| | | 090 - 104 | Strobe 3: closing pulse (fast → slow) | |
| | | 105 - 109 | Shutter open | |
| | | 110 - 124 | Strobe 4: random strobe (fast → slow) | |
| | | 125 - 129 | Shutter open | |
| | | 130 - 144 | Strobe 5: random opening pulse (fast → slow) | |
| | | 145 - 149 | Shutter open | |
| | | 150 - 164 | Strobe 6: random closing pulse (fast → slow) | |
| | | 165 - 169 | Shutter open | |
| | | 170 - 184 | Strobe 7: burst pulse (fast → slow) | |
| 185 - 189 | Shutter open | | | |
| 190 - 204 | Strobe 8: random burst pulse (fast → slow) | | | |
| 205 - 209 | Shutter open | | | |
| 210 - 224 | Strobe 9: sine wave (fast → slow) | | | |
| 225 - 229 | Shutter open | | | |
| 230 - 244 | Strobe 10: burst (fast → slow) | | | |
| 245 - 255 | Shutter open | | | |

DMX PROTOCOLS

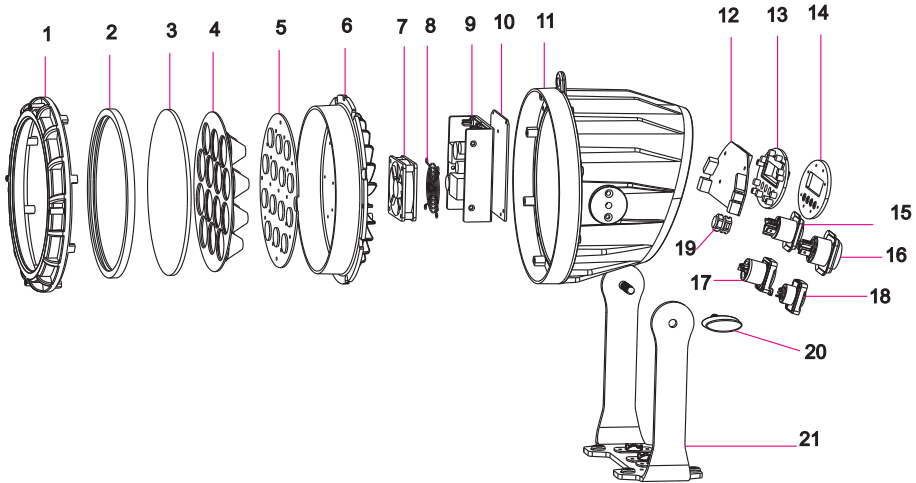
| 7 CH | Function | Value | Setting | Remark |
|-----------|--|-----------|--|--------|
| 1 | Dimmer | 000 - 255 | 0 - 100% | |
| 2 | Red | 000 - 255 | 0 - 100% | |
| 3 | Green | 000 - 255 | 0 - 100% | |
| 4 | Blue | 000 - 255 | 0 - 100% | |
| 5 | White | 000 - 255 | 0 - 100% | |
| 6 | Shutter | 000 - 024 | Shutter open | |
| | | 025 - 064 | Strobe 1 (fast → slow) | |
| | | 065 - 069 | Shutter open | |
| | | 070 - 084 | Strobe 2: opening pulse (fast → slow) | |
| | | 085 - 089 | Shutter open | |
| | | 090 - 104 | Strobe 3: closing pulse (fast → slow) | |
| | | 105 - 109 | Shutter open | |
| | | 110 - 124 | Strobe 4: random strobe (fast → slow) | |
| | | 125 - 129 | Shutter open | |
| | | 130 - 144 | Strobe 5: random opening pulse (fast → slow) | |
| | | 145 - 149 | Shutter open | |
| | | 150 - 164 | Strobe 6: random closing pulse (fast → slow) | |
| | | 165 - 169 | Shutter open | |
| | | 170 - 184 | Strobe 7: burst pulse (fast → slow) | |
| 185 - 189 | Shutter open | | | |
| 190 - 204 | Strobe 8: random burst pulse (fast → slow) | | | |
| 205 - 209 | Shutter open | | | |
| 210 - 224 | Strobe 9: sine wave (fast → slow) | | | |
| 225 - 229 | Shutter open | | | |
| 230 - 244 | Strobe 10: burst (fast → slow) | | | |
| 245 - 255 | Shutter open | | | |
| 7 | CCT | 000 - 009 | No function | |
| | | 010 - 255 | 8000K - 2000K | |

| 11 CH | Function | Value | Setting | Remark |
|-------|--------------------------|---|---|--|
| 1 | Dimmer | 000 - 255 | 0 - 100% | |
| 2 | Red | 000 - 255 | 0 - 100% | |
| 3 | Green | 000 - 255 | 0 - 100% | |
| 4 | Blue | 000 - 255 | 0 - 100% | |
| 5 | White | 000 - 255 | 0 - 100% | |
| 6 | Shutter | 000 - 024 025 - 064 065 - 069 070 - 084 085 - 089 090 - 104 105 - 109 110 - 124 125 - 129 130 - 144 145 - 149 150 - 164 165 - 169 170 - 184 185 - 189 190 - 204 205 - 209 210 - 224 225 - 229 230 - 244 245 - 255 | Shutter open Strobe 1 (fast → slow) Shutter open Strobe 2: opening pulse (fast → slow) Shutter open Strobe 3: closing pulse (fast → slow) Shutter open Strobe 4: random strobe (fast → slow) Shutter open Strobe 5: random opening pulse (fast → slow) Shutter open Strobe 6: random closing pulse (fast → slow) Shutter open Strobe 7: burst pulse (fast → slow) Shutter open Strobe 8: random burst pulse (fast → slow) Shutter open Strobe 9: sine wave (fast → slow) Shutter open Strobe 10: burst (fast → slow) Shutter open | |
| 7 | CCT | 000 - 009 010 - 255 | No function 8000K - 2000K | |
| 8 | Color wheel | 000 - 004 005 - 255 | No Function Color wheel rotation effect | |
| 9 | Auto program | 000 - 009 010 - 019 020 - 029 100 - 109 110 - 119 120 - 129 200 - 255 | No function Auto program 1 Auto program 2 Auto program 10 (AUTO 1-10 cycle) Custom program 1 Custom program 2 Custom program 10 | |
| 10 | Speed | 000 1 - 255 | No function AUTO Speed or Dimmer Speed | |
| 11 | Fixture control settings | 000 - 094 095 - 099 100 - 104 105 - 109 110 - 114 115 - 119 120 - 124 125 - 129 130 - 134 135 - 139 140 - 144 145 - 149 150 - 249 250 - 255 | No function Manual calibration output mode ¹ Raw color output mode ¹ No function Normal dimming, speed of changes unrestricted ¹ No function Smooth dimming, speed of changes restricted slightly ¹ No function 600 Hz Refresh rate ¹ 1200Hz Refresh rate ¹ 2400Hz Refresh rate ¹ 4800Hz Refresh rate ¹ No Function illuminate display | ¹ , value must be held for 3 seconds to activate. |

ONBOARD CONTROL MENUS

| NO. | Main Menu | Menu level 2 | Menu level 3 | Remark | |
|-----|---------------|----------------------------------|--|--|---------------------------|
| 1 | DMX ADDRESS | <001> | | Default 001 | |
| 2 | CONTROL MODE | 4CH | 1. Red, 2.Green, 3.Blue, 4.White | | |
| | | 6CH | 1. Dimmer, 2.Red, 3.Green, 4.Blue, 5.White, 6.Strobe | | |
| | | 7CH | 1. Dimmer, 2.Red, 3.Green, 4. Blue, 5.White, 6.Strobe, 7.CCT | | |
| | | 11CH | 1. Dimmer , 2.Red , 3.Green , 4. Blue , 5.White 6.Strobe , 7.CCT , 8.Macro color , 9.Effect , 10.Speed , 11.Function set | Default : 11CH | |
| | | HSV | 1. Hue 2.Saturation 3.Value | | |
| | | HSI | 1. Hue 2.Saturation 3.Intensity | | |
| 3 | PERSONALITY | Dimmer Speed | Normal Smooth | Default : Normal | |
| | | Key-Lock | ON/OFF No Calibration | Default : OFF | |
| | | Calibration | Manual | Red (0-255) Green (0-255) Blue (0-255) | Default : NO CALIBRATION |
| | | Refresh rate | 600/1200/2400/4800 | | Default : 600 |
| | | LCD brightness | Level(1 - 10) | | |
| 4 | STATIC COLOR | Fixed color | R RG RW RBW G RB GW GBW B GB BW RGBW W RGB RGW | Default : RGBW | |
| | | White presets | 2000K/3000K/4000K/5000K/6000K/7000K/8000 | Default : 6000K | |
| | | Manual color | Red (0-255) Green (0-255) Blue (0-255) White (0-255) | Default : Red:255 , Green:255 Blue:255 , White:255 | |
| | | | | | |
| 5 | AUTO | AUTO (1 - 10) Programe (1-10) | Speed 0 - 20 | Default : AUTO 1 | |
| 6 | EDITOR | Programe (01 - 10) | Scene (01 - 30) | Red (0-255) Green (0-255) Blue (0-255) White (0-255) Strobe (0-20) Time (0-255) Fade (0-255) | Programe 10 has 90 Scenes |
| | | | | | |
| | | | | | |
| | | | | | |
| 7 | INFO | Software type | VX.XX | | |
| | | Usage time | TOTAL Xxxx hours RESET | Use time reset (password) | |
| | | Temperature | XXX°C | | |
| | | UID | 0x02E2000xxxxx | | |
| 8 | FACTORY RESET | LOAD | | | |

BLOW-OUT DIAGRAM



| NO. | Description | Part Number |
|-----|--|-------------|
| 1 | Front Cover ring | CLF-14-003 |
| 2 | Rubber glass ring | CLF-14-010 |
| 3 | Tempered front glass | CLF-14-013 |
| 4 | Lens kit | CLF-14-005 |
| 5 | Led board | CLF-14-035 |
| 6 | LED board radiator | CLF-14-002 |
| 7 | Fan | CLF-14-016 |
| 8 | Fan cover | CLF-14-017 |
| 9 | Power supply | CLF-14-015 |
| 10 | Power supply support bracket | CLF-14-007 |
| 11 | Case body | CLF-14-001 |
| 12 | Display board | CLF-14-034 |
| 13 | Display sticker | CLF-14-020 |
| 14 | Acrylic display support | CLF-14-012 |
| 15 | PowerCON TRUE1 input socket | CLF-14-027 |
| 16 | PowerCON TRUE1 output socket | CLF-14-028 |
| 17 | DMX 5 pin male chassis part waterproof | CLF-14-032 |
| 18 | DMX 5 pin female chassis part waterproof | CLF-14-031 |
| 19 | Valve | CLF-14-023 |
| 20 | Knob for bracket | CLF-14-014 |
| 21 | Bracket | CLF-14-006 |

SPECIFICATIONS

Physical

| | |
|--------|----------------------------|
| Length | 259mm |
| Width | 179mm |
| Height | 290mm |
| Weight | 3.8 kg without accessories |

Dynamic Effects

| | |
|------------|-----|
| beam angle | 15° |
|------------|-----|

Optics

| | |
|--------------|-----------------------------|
| Light source | 14 pcs high-power LED(RGBW) |
|--------------|-----------------------------|

Control and Programming

| | |
|------------------------|--|
| Control | DMX |
| DMX channels | 4 / 6 / 7 / 11 / HSV / HSI |
| Setting and addressing | Control panel with backlit LCD graphic display |
| Protocol | RDM, USITT DMX512-A |

Control and Programming

| | |
|-------------------|--|
| Color | Black |
| Housing | High strength die-casting aluminum |
| Protection rating | IP 65 (If rubbers covers are place correctly when connectors are not used) |

Installation

| | |
|---|----------------------|
| Orientation | Any |
| Minimum distance to combustible materials | 100 mm. from fixture |
| Minimum distance to illuminated surfaces | 200 mm. from fixture |

Connections

| | |
|-----------------|---|
| AC power input | PowerCON TRUE 1 [®] input socket |
| AC power output | PowerCON TRUE 1 [®] output socket |
| DMX data in/out | 5 pin locking XLR (3 pin optional with # CLF-13-453 & CLF-13-454) |

Electrical

| | |
|--|-------------------------------------|
| AC power | 100-240 V nominal, 50/60 Hz |
| Maximum total power consumption | 105 W |
| Power supply unit | Auto-ranging electronic switch mode |
| Power consumption, all effects static, zero light output | <15 W |

Power consumption

| | |
|--------------|-------------------|
| 120 V, 60 Hz | 104 W, PF * 0.994 |
| 240 V, 50 Hz | 102 W, PF * 0.943 |

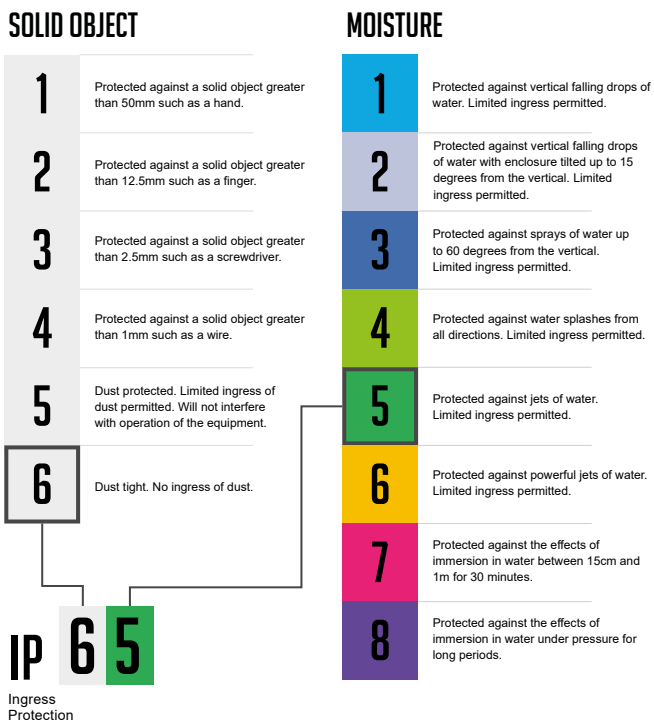
* PF = power factor. Measurements made at nominal voltage with all LEDs at full intensity. Allow for a deviation of +/- 10%.

Cooling

| | |
|--|-------------|
| | Passive |
| Maximum ambient temperature (Ta max.) | 40 °C |
| Minimum ambient temperature (Ta min.) | -20 °C |
| Total heat dissipation (calculated, +/- 10%) | 820 BTU/hr. |

OUTDOOR IP-RATED FIXTURES

CLF products are applied to official classified IP norm levels. For this product the IP rate is IP65 when using the covers for the chassis parts. IP65 means according classified norm: shielded against dust and pressurized water from any side. Typical use for outdoor rated stage events with normal weather acceptance. So no heavy rain, because then the water pressure over exceeds the IP norm.



CONDENSATION/MOISTURE INSIDE HOUSING

Because of high humidity levels during production condensation can occur inside the housing. This is mostly visible on the coldest parts of the fixture, like the front glass or display. To prevent this problem we work with special conditioned areas for outdoor fixtures. Because of the breathing air valves it is still possible to get humidity inside the fixture. This will evaporate slowly. Do not put wet fixtures in a flightcase, this will help humidity enter the fixture.

FIXTURES TEMPERATURE SPECIFICATION

Make sure the fixture is used within its working temperature range. Outside this range we cannot guarantee correct operation.

TEMPORARY USAGE:

Stage event equipment is designed with temporary use in mind. Our product purpose is for theatre, festival, (disco) clubs and indoor & outdoor concerts. Long term use is possible but keep in mind that it can bring damage to aging materials and affect the coated surface (i.e. stainless steel). Rubber sealings will be negatively affected after long-term UV exposure and should be checked by qualified service technicians over time.

Tighten screws too hard will also affect the IP-rating.

CLF YARA



CLFLIGHTING

WWW.CLF-LIGHTING.COM